



ENGLISH

## Datasheet

# Timer Switch, 2 h, Wall Mount, 2 Way, 1 Gang 240 Vac 16 A

Stock Number: 719-1888



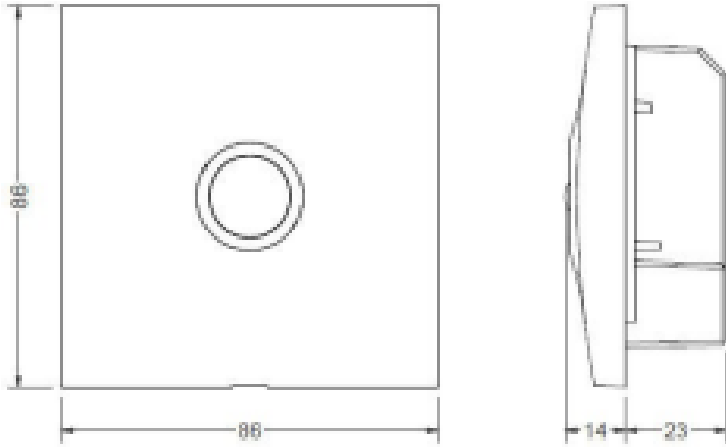
The MRT-PRM series of time delay switches are designed to provide timed control of lighting, heating or ventilation loads. Using push button, or remote activation, the user can switch on a load for a pre-set time period and have the load turn off automatically after the time period has elapsed.

Multiple timing ranges come as standard to allow the time out period to be set accurately. Time setting is achieved using switches and a thumbwheel behind the face plate..

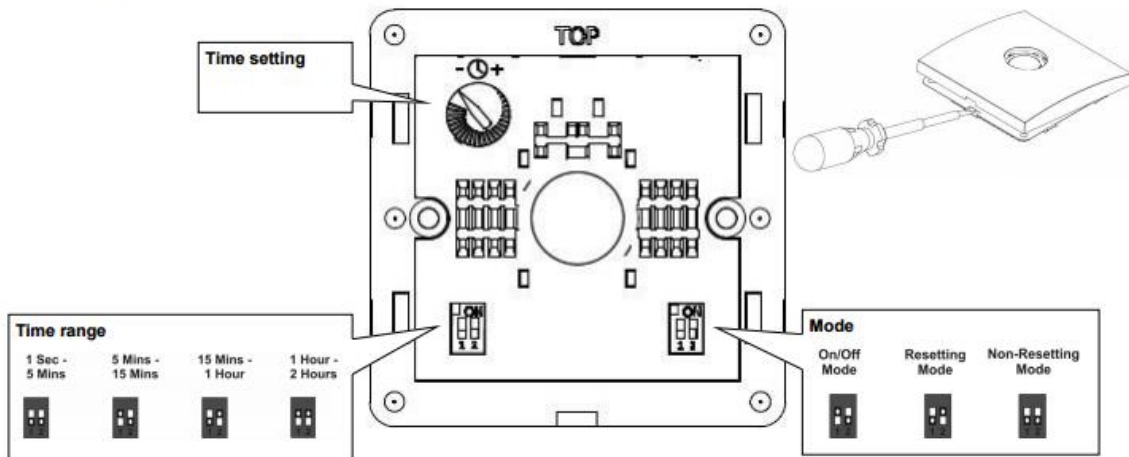
Several modes of operation are selectable using switches:

☑ On/off: triggering the timer will turn on the load and start the timing.

Triggering the timer again during timing will immediately turn off the load and stop the timing.



Settings





ENGLISH

## LOAD

16 Amp resistive load

10 Amp incandescent lighting

6 Amp fluorescent lighting

3 Amp compact fluorescent lighting

3 Amp low energy lighting

3 Amp low voltage lighting (switch primary of transformer)

3 Amp fans and ventilation equipment

Switch SON lighting loads via a contactor

Quartz halogen heaters: 2600W max, recommended timing 30 minutes, for lower timing switch

via contactor

SUPPLY VOLTAGE 220-240 Volts AC 50 Hz

TIMING PERIOD Adjustable 1 second to 2 hours in ranges

TERMINAL CAPACITY 2.5mm<sup>2</sup>

MATERIAL Flame retardant ABS

TYPE Class 2

TEMPERATURE -10°C to 35°C

CONFORMITY EN60669-2-1

EN55015