

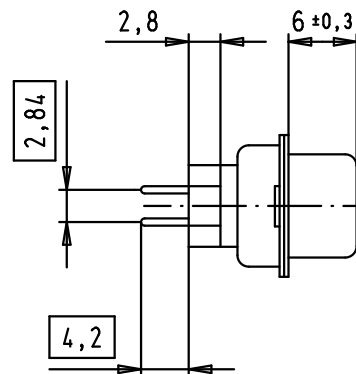
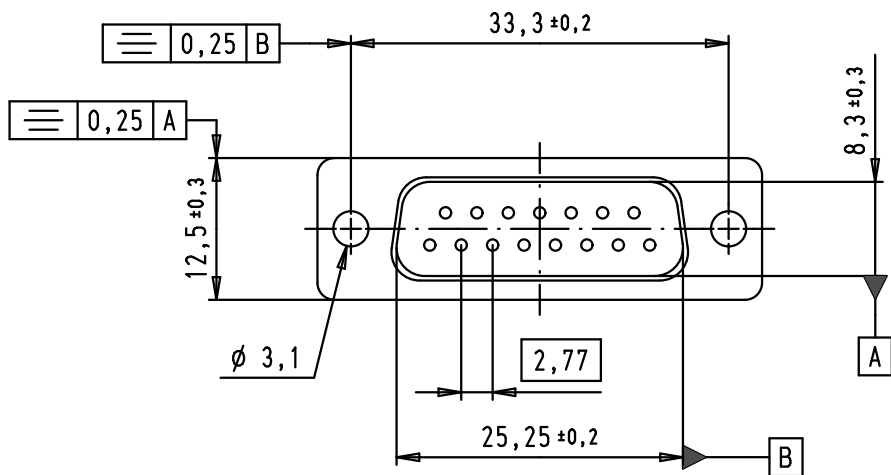
5

4

3

2

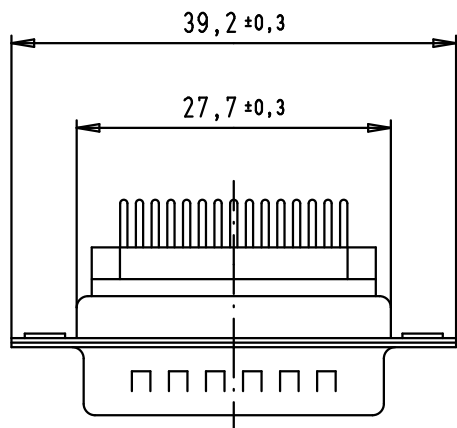
1



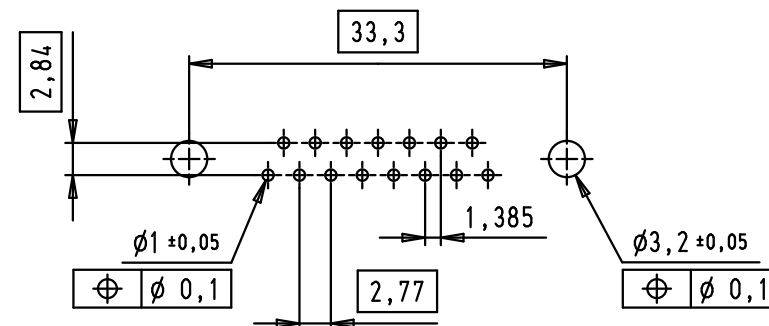
SPECIFICATIONS

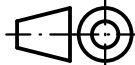

FREQUENCY (MHz)	ATTENUATION (dB)
5	0,5
10	1
50	3,5
100	4
500	5
1000	5,5

Operating voltage < 250 V AC
 Working current < 7,5 A
 Insulation resistance > 1GΩ
 Contact resistance < 15 mΩ
 Dielectric withstanding voltage 500 V AC / minute



PCB layout, component side



				Dot.	Name	 All Dim. in mm Orig. Size DIN A 4	D-Sub, male, straight, 15 poles, tin plated shell with dimples, solder pins, ferrite filter	Maßstab/ Scale 1,5:1
			Detail.	11/06/09	PK			
			Insp.					
			Stand.					
09 64 222 7800	Au Flash	EC00332	11/06/09	PK	HARTING EURL F-95972 Paris		TB 09 64 222 7800	Blatt/ Page 1 / 1
Part number	Performance level	Mod.	Dot.	Name	Sub.			

D

C

B

A