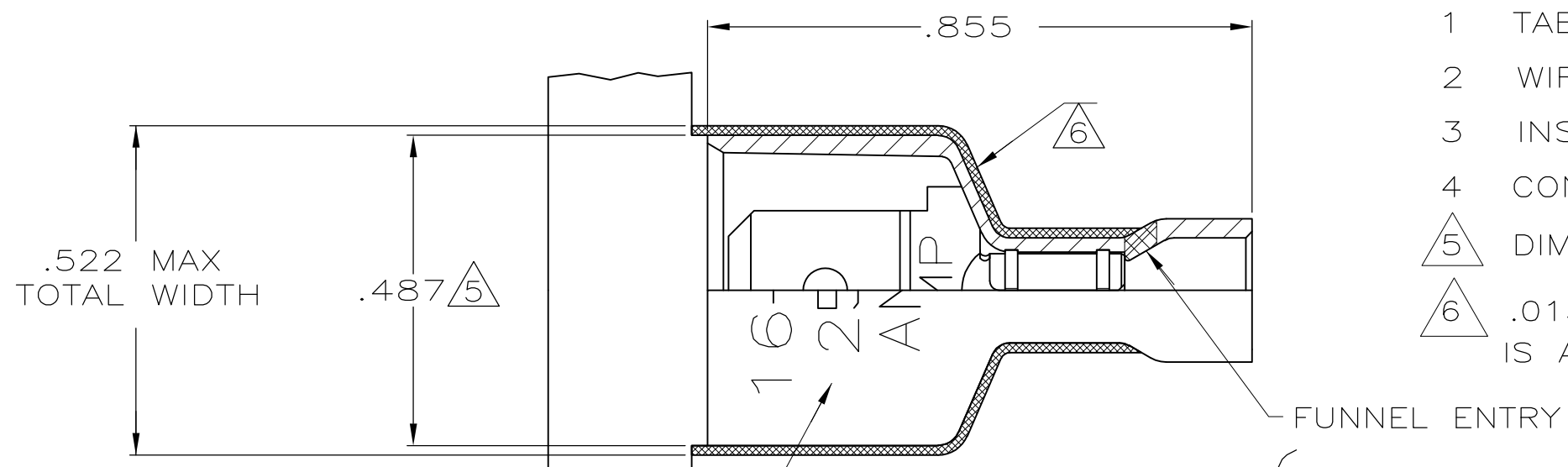
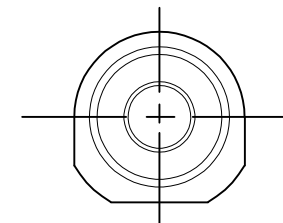
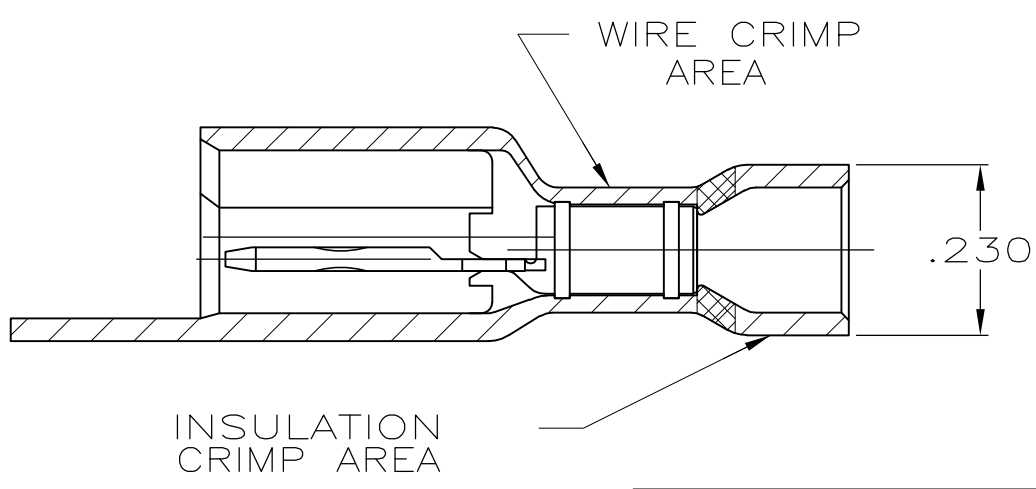
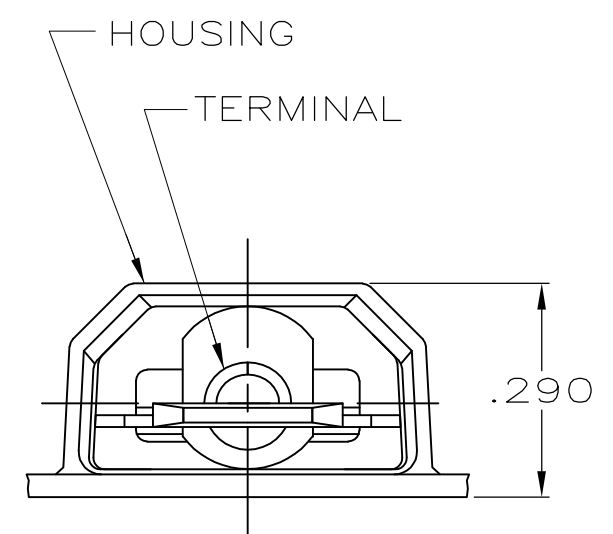


THIS DRAWING IS UNPUBLISHED. RELEASED FOR PUBLICATION
 © COPYRIGHT - By - ALL RIGHTS RESERVED.

LOC	DIST	REVISIONS					
AF	50	P	LTR	DESCRIPTION	DATE	DWN	APVD
			C1	REVISED PER ECO-11-004917	11MAR11	RK	HMR



- 1 TAB DIMENSIONS $.032 \pm .001 \times .250$
- 2 WIRE STRIP LENGTH $.281$
- 3 INSULATION SIZE $.090 - .160$ DIA
- 4 CONTINUOUS STRIP ON REELS
- 5 DIMENSION DOES NOT INCLUDE TRIM BURR
- 6 $.015$ MAX CARRIER TRIM BURR PER SIDE IS ALLOWABLE IN THE SHADED AREA



HOUSING: NYLON, COLOR-BLUE TRANSLUCENT	3-521057-2
TAB: #3 HARD BRASS, TIN .000080 MIN	
MATERIAL & FINISH	PART NO

THIS DRAWING IS A CONTROLLED DOCUMENT.		DWN	JR RUTH	3/14/94	 TE Connectivity	NAME TAB ASSEMBLY, ULTRA-FAST, PLUS, .250 SERIES, 16-14 AWG	
DIMENSIONS: INCHES		CHK	MS FEHER	3/14/94			
		APVD	D BRATINA	3/14/94			
TOLERANCES UNLESS OTHERWISE SPECIFIED:		PRODUCT SPEC		108-2017			
MATERIAL SEE TABLE		FINISH SEE TABLE		APPLICATION SPEC	114-2123	RESTRICTED TO	
		WEIGHT		-	SIZE	A3	
		CUSTOMER DRAWING		SCALE	4:1	SHEET	1 OF 1
				REV	C1		