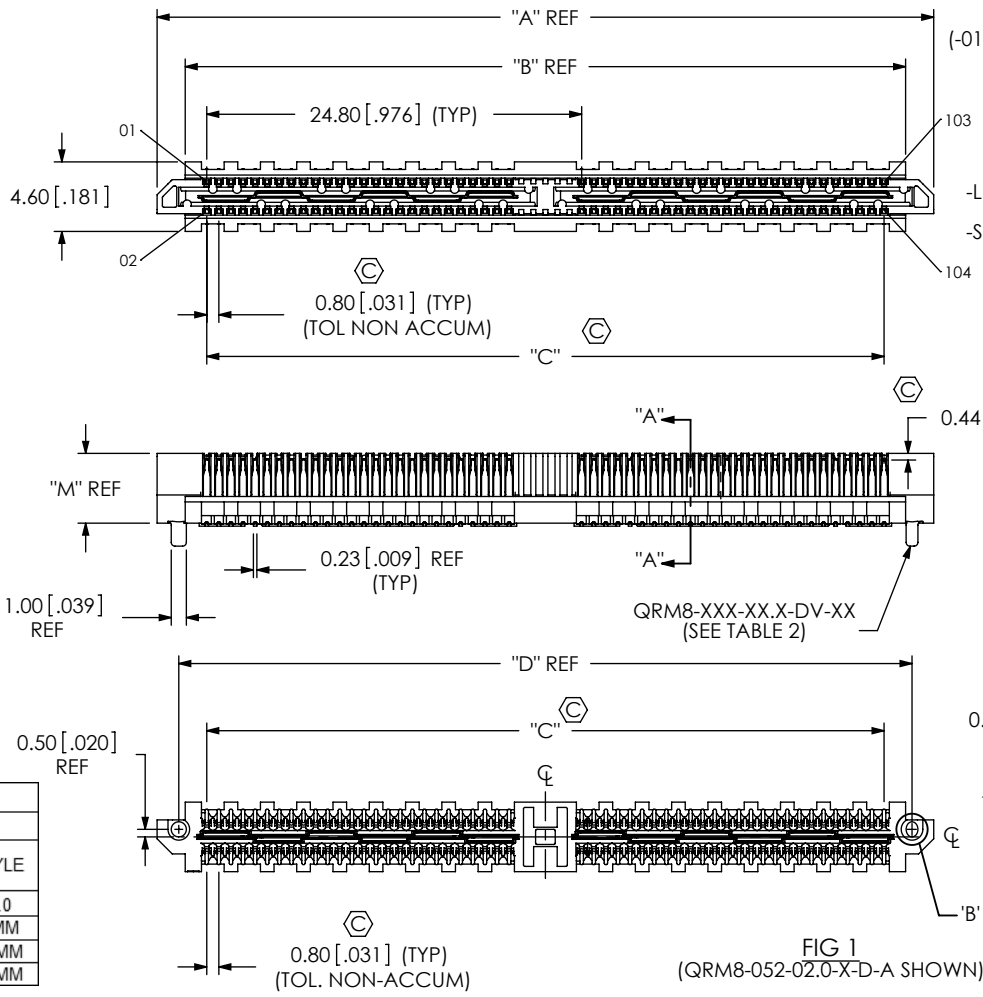


**DESIGNED AND DIMENSIONED
IN MILLIMETERS [INCHES]**

DO NOT
SCALE FROM
THIS PRINT



QRM8-XXX-XX.X-X-D-XX-A-XX

- No OF POSITIONS
-026, -052, **-078
(-018, -036, **-054 FOR -DP ONLY)
- LEAD STYLE
-02.0 = 2mm (SEE FIG. 1)
-05.0 = 5mm (SEE FIG. 3, SHT 2)
-07.0 = 7mm
- PLATING SPECIFICATION
-L: LIGHT SELECTIVE GOLD / MATTE TIN
(USE T-1M53-XX.X-L & T-1G38-XX.X-L)
-S: SELECTIVE GOLD / MATTE TIN
(USE T-1M53-XX.X-S & T-1G38-XX.X-S)
- OPTIONS
-K: POLYIMIDE FILM PAD
-TR: TAPE & REEL
(SEE NOTE 4)
-GP: GUIDE POST
(SHEET 3, FIG 4)
(SEE NOTE 8)
- OPTIONS
-A: ALIGNMENT PIN
- OPTION
(IF NOT APPLICABLE, LEAVE BLANK)
-DP: DIFFERENTIAL PAIRS
(SHEET 4, FIG 5)
- ROW SPECIFICATION
-D: DOUBLE

** = NOT AVAILABLE IN -02.0 LEAD STYLE

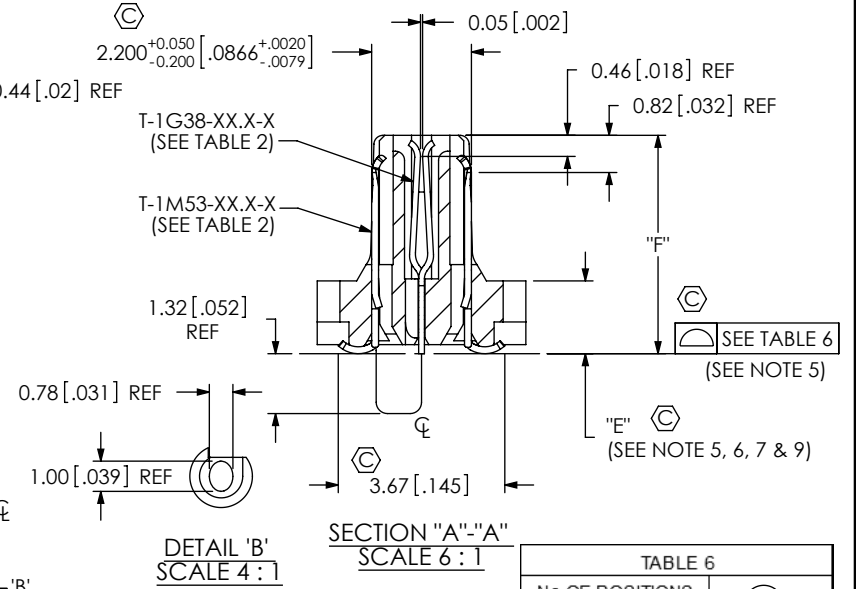


TABLE 1 REF	
STACK HEIGHT	
QRM8 LEAD STYLE	QRF8 LEAD STYLE
-05.0	-07.0
-02.0	7.0MM
-05.0	10.0MM
-07.0	12.0MM
-02.0	9.0MM
-05.0	12.0MM
-07.0	14.0MM

TABLE 2						
LEAD STYLE	QRM8-XXX-XX.X-DV-XX	T-1M53-XX.X-X	T-1G38-XX.X-X	"E"	"F"	"M"
-02.0	QRM8-XXX-02.0-DV-XX	T-1M53-02.0-X	T-1G38-02.0-X	1.61 [0.063]	4.81 [0.189]	4.62 [0.182]
-05.0	QRM8-XXX-05.0-DV-XX	T-1M53-05.0-X	T-1G38-05.0-X	4.61 [0.181]	7.81 [0.307]	7.62 [0.300]
-07.0	QRM8-XXX-07.0-DV-XX	T-1M53-07.0-X	T-1G38-07.0-X	6.61 [0.260]	9.78 [0.385]	9.62 [0.379]

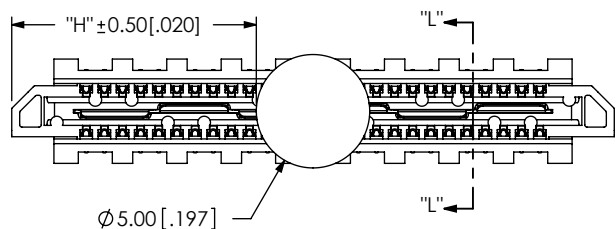
TABLE 3				
No OF POSITIONS	"A"	"B"	"C"	"D"
-018, -026	26.57 [1.046]	22.85 [0.900]	20.00 [0.787]	23.70 [0.933]
-036, -052	51.37 [2.022]	47.65 [1.876]	44.80 [1.764]	48.50 [1.909]
** -054, ** -078	76.17 [2.999]	72.45 [2.852]	69.60 [2.740]	73.30 [2.886]

** = NOT AVAILABLE IN 02.0 LEAD STYLE

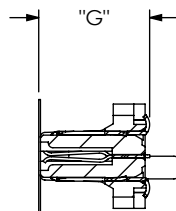
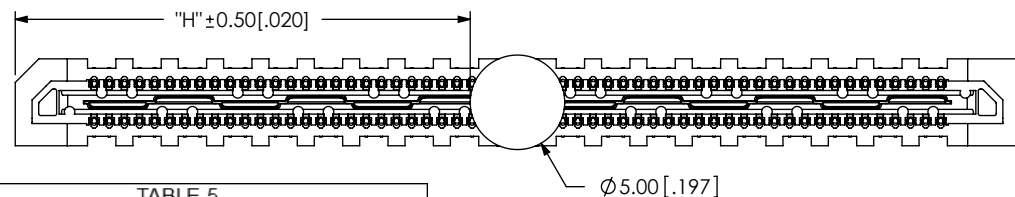
- NOTES:
- ⊕ REPRESENTS A CRITICAL DIMENSION.
 - BURR ALLOWANCE: 0.038[0.015] MAX.
 - MINIMUM PUSHOUT FORCE: SIGNAL: 1.60 N [4 LB.]; GROUND PLANE: 4.44 [1LB]
 - PARTS TO BE PACKAGED IN TRAYS, UNLESS -TR OPTION IS SPECIFIED.
 - 054 & -078 POSITION NOT AVAILABLE IN TAPE AND REEL.
 - DIMENSION APPLIES TO CONTACTS & GROUND PLANE.
 - GROUND PLANE PRESS HEIGHT MUST BE .08 [0.003] LESS THAN THE MAX HEIGHT OR .001 [0.03] GREATER THAN THE MINIMUM HEIGHT OF THE TERMINAL.
 - MAX VARIANCE OF 0.05 [0.002].
 - PARTS WITH THE -GP OPTION MUST MATE TO -GP OPTIONED QRF8 PARTS AND PARTS WITH NO -GP OPTION MUST MATE TO NON -GP OPTIONED QRF8 PARTS.
 - GROUND PLANE INSERTION AIR PRESSURE TO BE SET AT 20-25 PSI.

UNLESS OTHERWISE SPECIFIED, DIMENSIONS ARE IN MILLIMETERS [INCHES]. TOLERANCES ARE: DECIMALS ANGLES X.X: ±0.3 [01] 2° X.XX: ±0.13 [005] X.XXX: ±0.050 [0020]	PROPRIETARY NOTE THIS DOCUMENT CONTAINS INFORMATION CONFIDENTIAL AND PROPRIETARY TO SAMTEC, INC. AND SHALL NOT BE REPRODUCED OR TRANSFERRED TO OTHER DOCUMENTS OR DISCLOSED TO OTHERS OR USED FOR ANY PURPOSE OTHER THAN THAT WHICH IT WAS OBTAINED WITHOUT THE EXPRESSED WRITTEN CONSENT OF SAMTEC, INC.	samtec 520 PARK EAST BLVD, NEW ALBANY, IN 47150 PHONE: 812-944-6733 FAX: 812-948-5047 e-Mail: info@SAMTEC.com code 55322
MATERIAL: DO NOT SCALE DRAWING SHEET SCALE: 2:1	INSULATOR: LCP, COLOR: BLACK TERMINAL & GROUND PLANE: PHOS. BRZ.	DESCRIPTION: .8MM Q-RATE TERMINAL ASSEMBLY DWG. NO. QRM8-XXX-XX.X-X-D-XX-A-XX BY: CLAY W 8/27/2008 SHEET 1 OF 4

FIG 2
-K OPTION
(USE K-DOT-.197-.344-.005)
(QRM8-026-02.0-X-D-A-K SHOWN)



(QRM8-052-05.0-X-D-A-K SHOWN)



SECTION "L"-"L"
SCALE 3 : 1

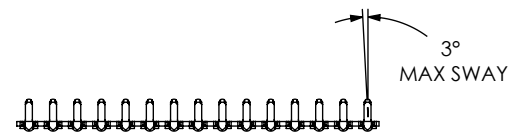
LEADSTYLE	POSITION	"H"
-02.0	-018, -026	10.78 [0.424]
	-036, -052	23.18 [0.913]
	*.054, *.078	35.58 [1.401]
-02.0 W/-GP	-018, -026	12.57 [0.495]
	-036, -052	24.97 [0.983]
	-.054, *.078	37.37 [1.471]
-05.0 & -07.0	-018, -026	11.68 [0.460]
-05.0 & -07.0	-036, -052	24.08 [0.948]
-05.0 & -07.0	*.054, *.078	36.48 [1.426]

* = NOT ENGINEERING APPROVED

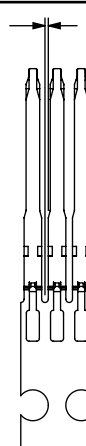
LEAD STYLE	"G"
-02.0	4.94 [0.194]
-05.0	7.94 [0.313]
-07.0	9.94 [0.391]

IN PROCESS 1
CUT T-1M53-XX.X-X COMBS

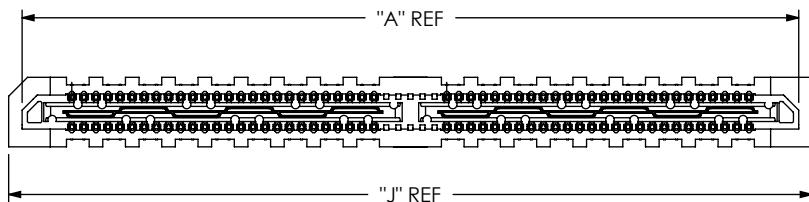
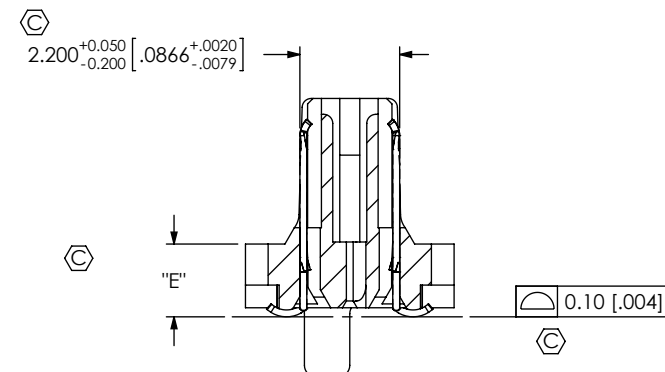
0.11 ± 0.076 [.004 ± .003]



T-1M53-XX.X-X
(ALL TAILS SAME DIRECTION)



IN PROCESS 2
FILL T-1M53-XX.X-X TERMINALS



POSITION	"J"
-018, -026	28.35 [1.116]
-036, -052	53.15 [2.093]
**-.054, **-.078	77.95 [3.069]

** = NOT AVAILABLE IN -.02.0 LEAD STYLE

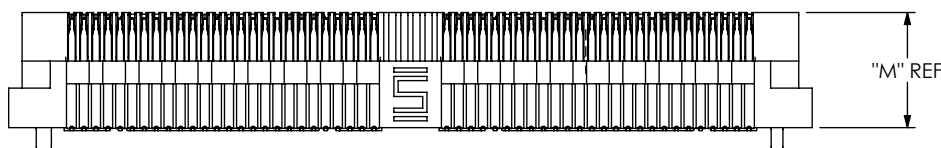


FIG 3
(QRM8-052-05.0-X-D-A SHOWN)
(SAME AS FIG 1 EXCEPT AS SHOWN)

PROPRIETARY NOTE

THIS DOCUMENT CONTAINS INFORMATION CONFIDENTIAL AND PROPRIETARY TO SAMTEC, INC. AND SHALL NOT BE REPRODUCED OR TRANSFERRED TO OTHER DOCUMENTS OR DISCLOSED TO OTHERS OR USED FOR ANY PURPOSE OTHER THAN THAT WHICH IT WAS OBTAINED WITHOUT THE EXPRESSED WRITTEN CONSENT OF SAMTEC, INC.

DO NOT SCALE DRAWING

SHEET SCALE: 2:1



520 PARK EAST BLVD, NEW ALBANY, IN 47150
PHONE: 812-944-6733 FAX: 812-948-5047
e-Mail: info@SAMTEC.com code 55322

DESCRIPTION:
.8MM Q-RATE TERMINAL ASSEMBLY

DWG. NO.
QRM8-XXX-XX.X-X-D-XX-A-XX

BY: CLAY W 8/27/2008 SHEET 2 OF 4

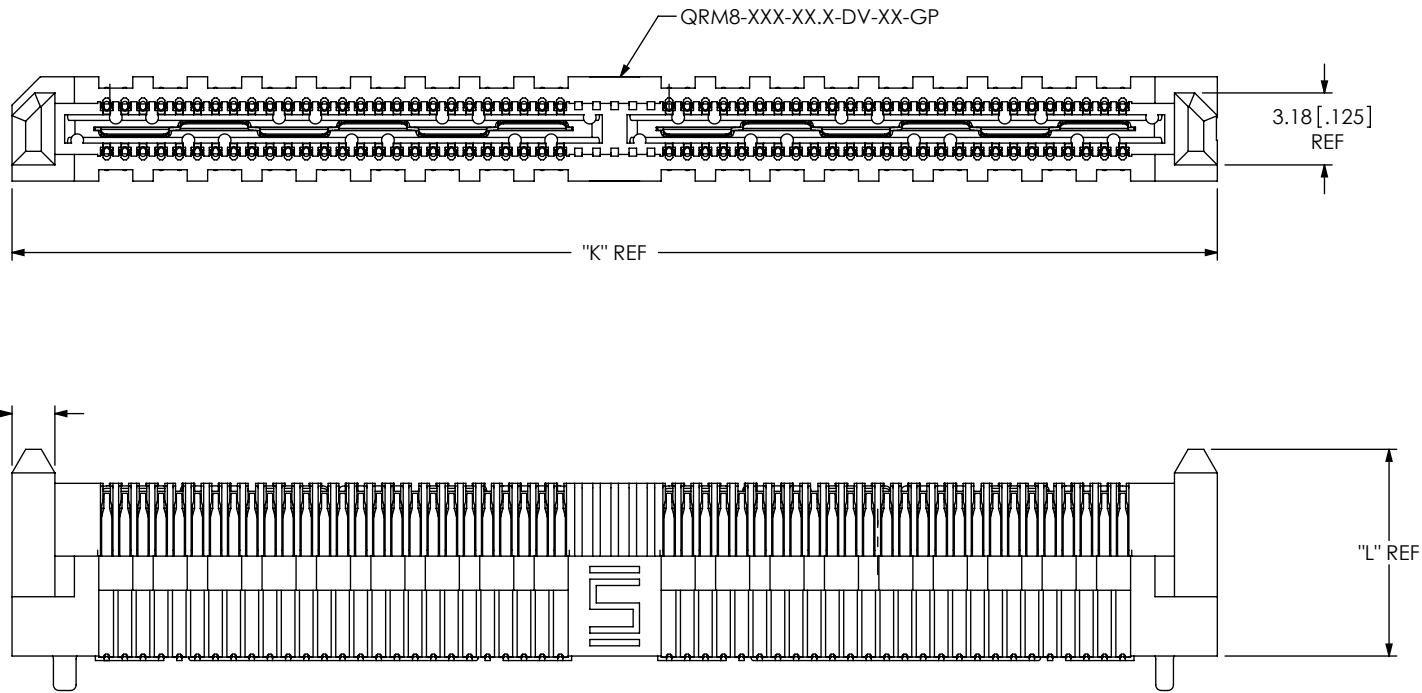


FIG 4
(QRM8-052-05.0-X-D-A-GP SHOWN)
(SAME AS FIG 2 EXCEPT AS SHOWN)

POSITION	"K"
-018, -026	28.35 [1.116]
-036, -052	53.15 [2.093]
**054, **078	77.95 [3.069]

* = NOT AVAILABLE IN -02.0 LEADSTYLE

LEAD STYLE	"L"
-02.0	6.12 [0.241]
-05.0	9.12 [0.359]
-07.0	11.12 [0.438]

PROPRIETARY NOTE
THIS DOCUMENT CONTAINS INFORMATION CONFIDENTIAL AND PROPRIETARY TO SAMTEC, INC. AND SHALL NOT BE REPRODUCED OR TRANSFERRED TO OTHER DOCUMENTS OR DISCLOSED TO OTHERS OR USED FOR ANY PURPOSE OTHER THAN THAT WHICH IT WAS OBTAINED WITHOUT THE EXPRESSED WRITTEN CONSENT OF SAMTEC, INC.

DO NOT SCALE DRAWING

SHEET SCALE: 1:0.333333



520 PARK EAST BLVD, NEW ALBANY, IN 47150
PHONE: 812-944-6733 FAX: 812-948-5047
e-Mail: info@SAMTEC.com code 55322

DESCRIPTION: .8MM Q-RATE TERMINAL ASSEMBLY

DWG. NO. QRM8-XXX-XX.X-X-D-XX-A-XX

BY: CLAY W 8/27/2008 SHEET 3 OF 4

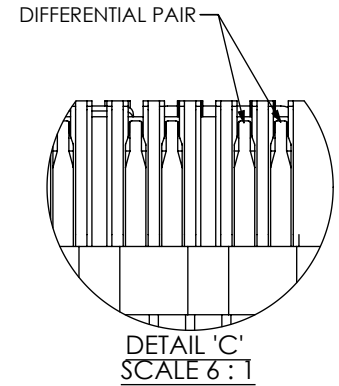
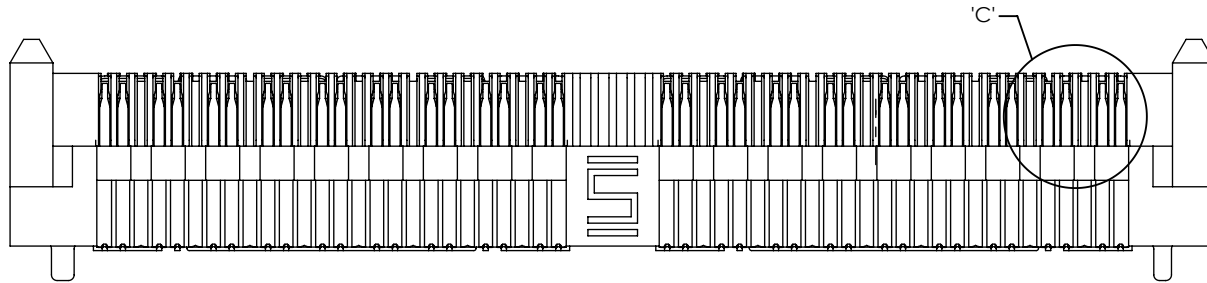
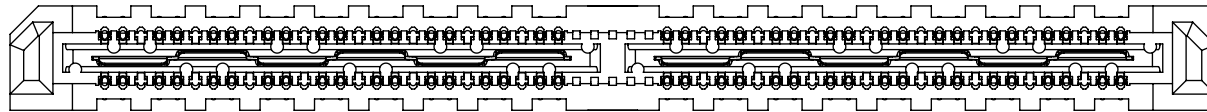
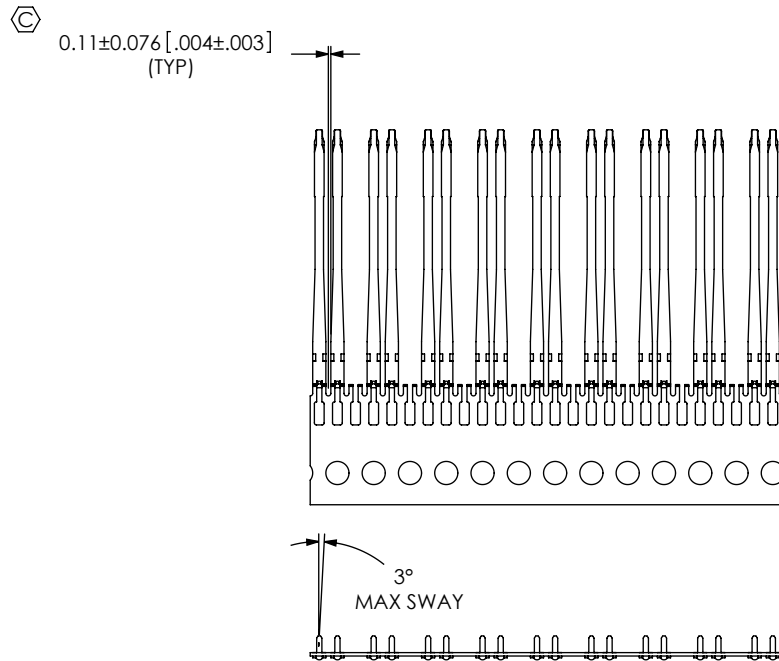


FIG 5
(QRM8-036-05.0-X-D-DP-A-GP SHOWN)
(SAME AS FIG 4 EXCEPT AS SHOWN)



IN PROCESS 3
CUT F-TM53-XX.X-X COMBS
(FOR QRM8-XXX-XX.X-D-DP-A-XX)

PROPRIETARY NOTE

THIS DOCUMENT CONTAINS INFORMATION CONFIDENTIAL AND PROPRIETARY TO SAMTEC, INC. AND SHALL NOT BE REPRODUCED OR TRANSFERRED TO OTHER DOCUMENTS OR DISCLOSED TO OTHERS OR USED FOR ANY PURPOSE OTHER THAN THAT WHICH IT WAS OBTAINED WITHOUT THE EXPRESSED WRITTEN CONSENT OF SAMTEC, INC.

DO NOT SCALE DRAWING

SHEET SCALE: 2:1



520 PARK EAST BLVD, NEW ALBANY, IN 47150
PHONE: 812-944-6733 FAX: 812-948-5047
e-Mail info@SAMTEC.com code 55322

DESCRIPTION:
.8MM Q-RATE TERMINAL ASSEMBLY

DWG. NO.
QRM8-XXX-XX.X-X-D-XX-A-XX

BY: CLAY W 8/27/2008 SHEET 4 OF 4