


**Ordering number C12095\_MINNIE-M**

Family	Minnie	FWHM	26 degrees
Type	Reflector	Efficiency	92 %
LED	MT-G	cd/lm	-
Color	Metal	Gerber File	Available
Diameter	32.4 mm		
Height	14.75 mm		
Style	Round		
Optic Material	PC		
Holder Material	-		
Fastening	Glue		
Status	Ready		


**Ordering number C11862\_MINNIE-W**

Family	Minnie	FWHM	36 degrees
Type	Reflector	Efficiency	92 %
LED	MT-G	cd/lm	-
Color	Metal	Gerber File	Available
Diameter	32.4 mm		
Height	14.75 mm		
Style	Round		
Optic Material	PC		
Holder Material	-		
Fastening	Glue		
Status	Ready		


**Ordering number C12097\_MINNIE-WWW**

Family	Minnie	FWHM	74 degrees
Type	Reflector	Efficiency	90 %
LED	MT-G	cd/lm	-
Color	Metal	Gerber File	Available
Diameter	32.4 mm		
Height	14.75 mm		
Style	Round		
Optic Material	PC		
Holder Material	-		
Fastening	Glue		
Status	Ready		

**NOTE: The typical divergence will be changed by different color, chip size and chip position tolerance. The typical total divergence is the full angle measured where the luminous intensity is half of the peak value.**



## PRODUCT DATASHEET

### Minnie series

last update 21/9/2012

#### GENERAL INFORMATION

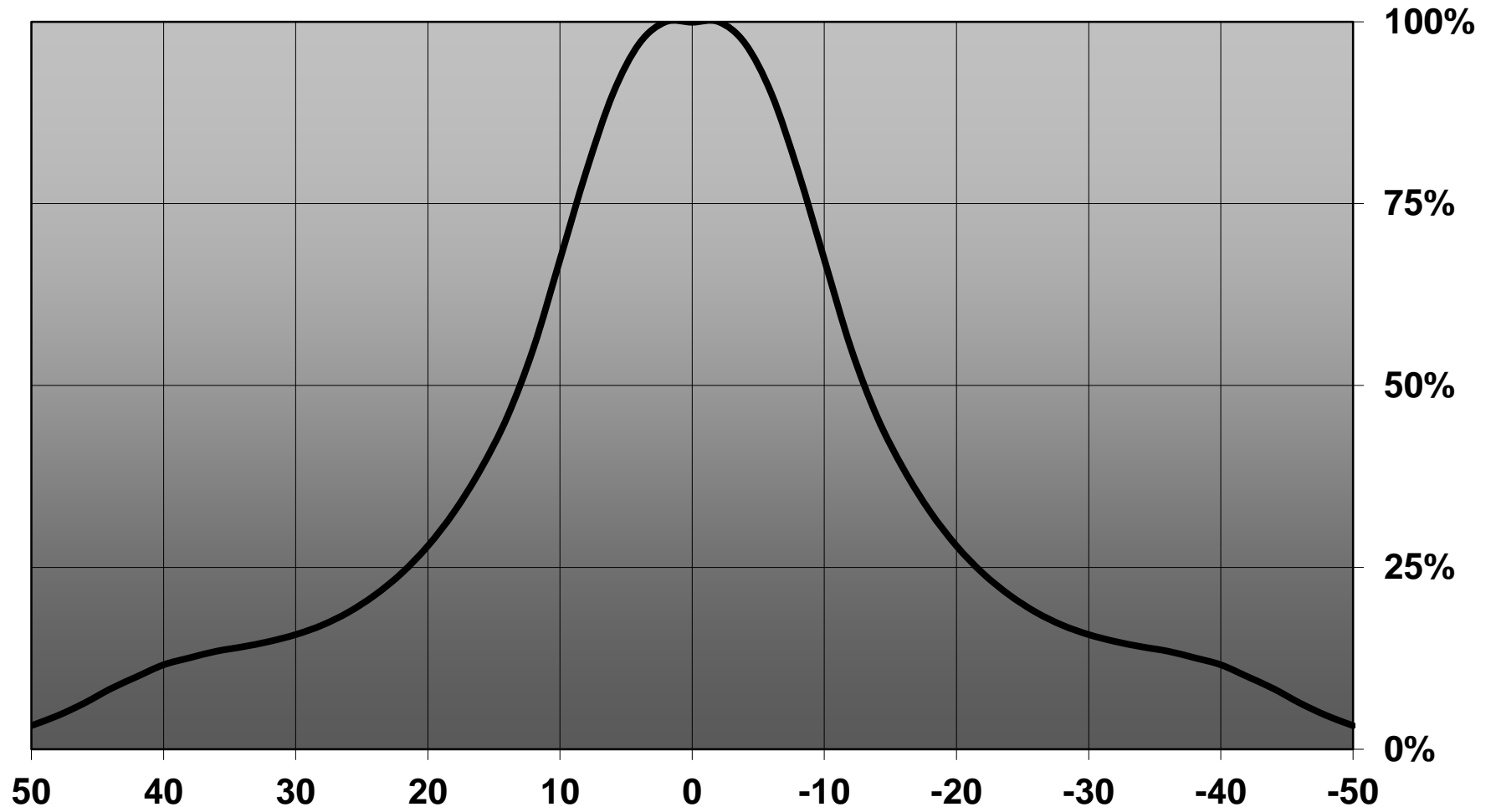
- Product series especially designed & optimized for MT-G series of LEDs.
- Special care taken to make light distribution as uniform as possible.
- Reflector is made of aluminium coated PC (120 degrees of Celcius / 248 degrees of Fahrenheit) with protective lacquer (110 degrees of Celcius / 230 degrees of Fahrenheit).
- Fastening to PCB with appropriate adhesive. By clicking link below you can find Ledil recommended glue options.  
[http://www.ledil.com/datasheets/DataSheet\\_GLUES.pdf](http://www.ledil.com/datasheets/DataSheet_GLUES.pdf)

**NOTE 1: We advise customer to ensure the suitability and sufficiency of the bond in the end product. For example, mechanical stress, vibration and holes on the surface of the circuit board weaken the strength of the glue.**

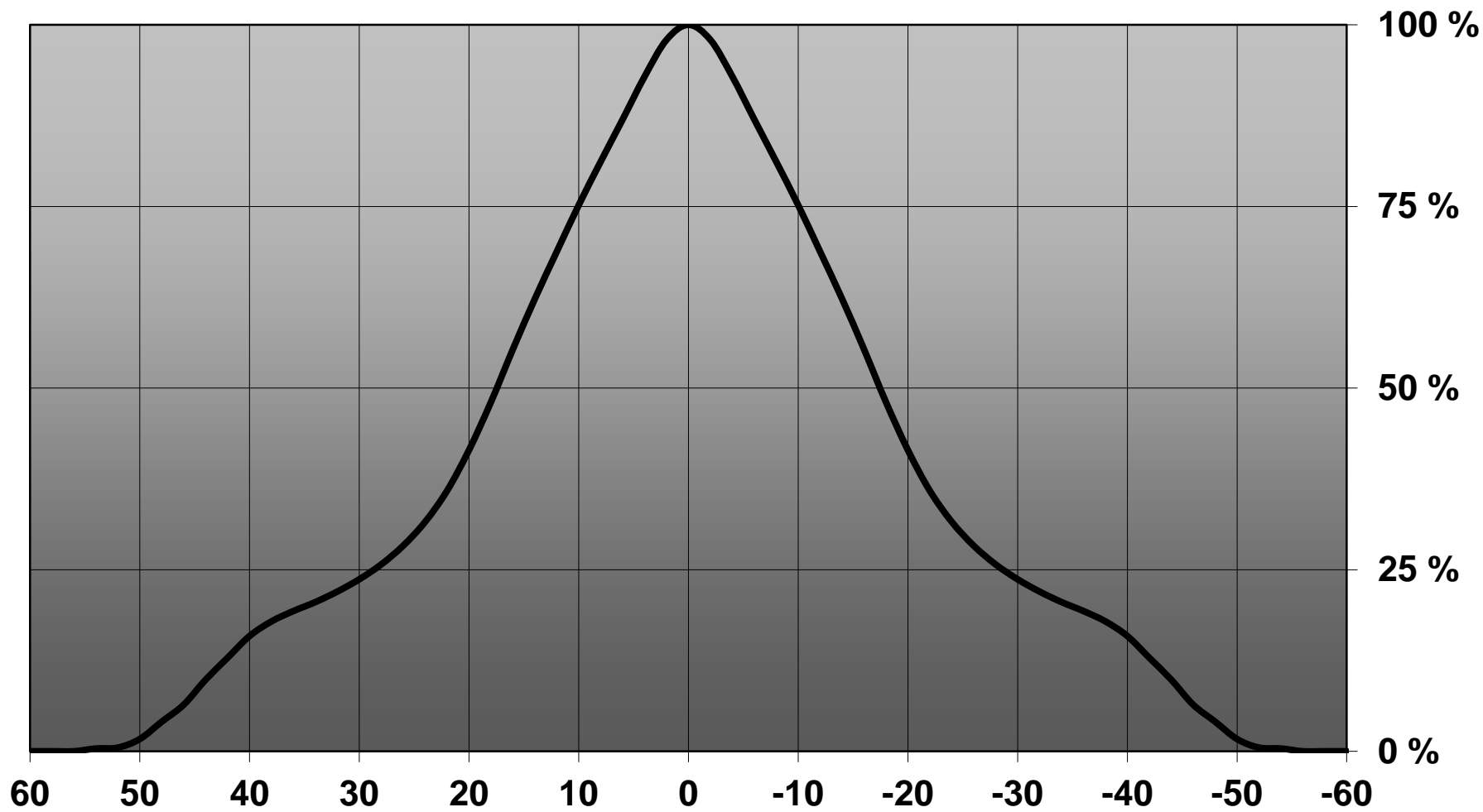
**NOTE 2: All surfaces where glue is applied must be clean, dry and free from grease and dirt. If cleaning of PCB surfaces is needed, please follow strictly the cleaning instructions of your LED manufacturer -this is important as cleaning shall under no circumstances damage LEDs or other electronics components on the PCB.**

**Further note that optical components shall not be cleaned with any chemicals - only micro fiber cloth may be used to remove fingerprints or other traces from handling.**

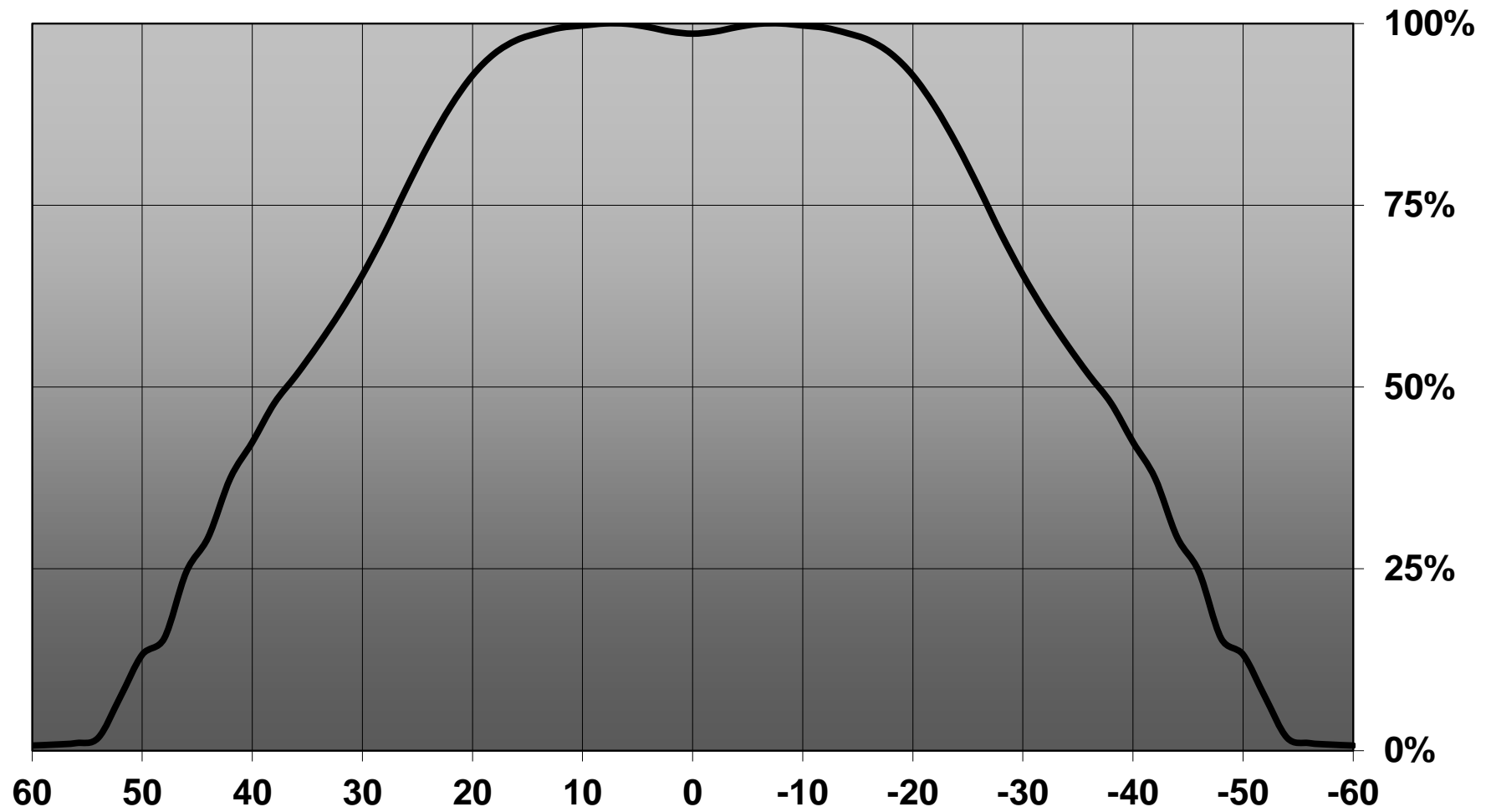
Relative intensity of C12095\_MINNIE-M / CA12239\_MINNIE-M



### Relative intensity of Minnie-W-MTG



Relative intensity of CA12240\_Minnie-WWW-MTG-assy



D

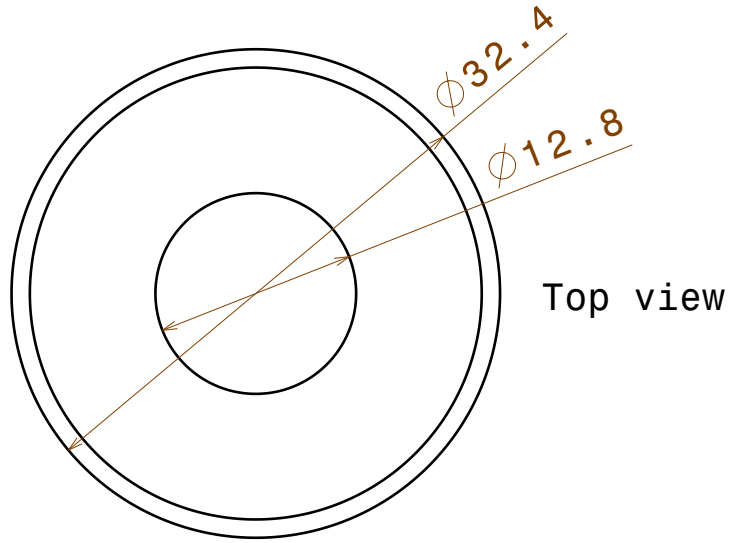
C

B

A

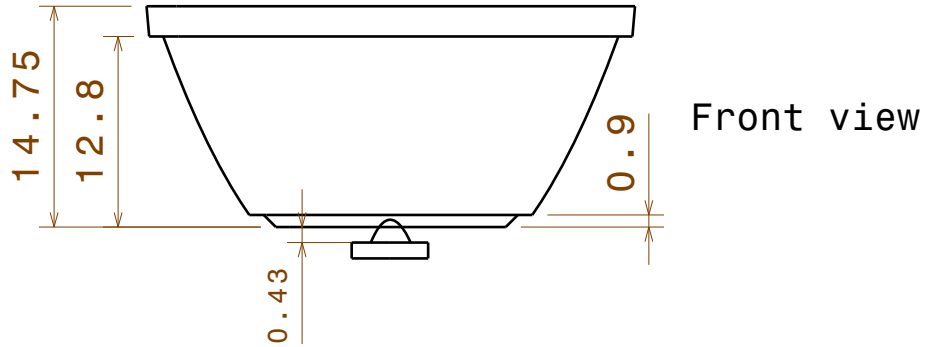
4

4



3

3



2

2

distance between LED and bottom

Material: PC

Coating: metal coating with clear laquer

This drawing is our property. It can't be reproduced or communicated without our written agreement.



L  
S  
F  
F

e  
l  
i  
n

d  
l

DRAWING TITLE

Datasheet Minnie MT-G reflector

1

1

DRAWN BY

DATE

a

h 1.6.2012

CHECKED BY

DATE

h

h

xx

SIZE

A4

DRAWING NUMBER

REV

2

DESIGNED BY

DATE

hh

01.01.2011

SCALE

1:1

WEIGHT (g)

SHEET

1/1

D

A