

THIS DRAWING IS UNPUBLISHED. RELEASED FOR PUBLICATION. ALL INTERNATIONAL RIGHTS RESERVED.

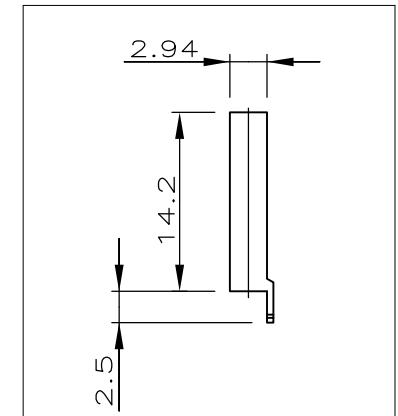
© COPYRIGHT - BY TYCO ELECTRONICS CORPORATION.

ÄNDERUNGEN DIE DEM TECHNISCHEN FORTSCHRITT DIENEN, BEHALTEN WIR UNS VOR

CAD-ORIGINAL  
ZEICHNUNG NICHT ÄNDERN

ZEICHNUNG GESCHÜTZT DURCH ©COPYRIGHT 1975  
AMP DEUTSCHLAND GMBH  
ALLE RECHTE VORBEHALTEN

LOC	DIST	REVISIONS					
-	-	P	LTR	DESCRIPTION	DATE	DWN	APVD
			V	REVISED PER ECO-11-003794	01MAR11	HMR	HMM



EINREIHIG

POLZ.	L-0.2	BESTELL-NR.
-	-	-
2	5.08	925 369 -2
3	7.62	-3
4	10.16	-4
5	12.70	-5
6	15.24	-6
7	17.78	-7
8	20.32	-8
9	22.86	-9
10	25.40	1- -0
11	27.94	1- -1
12	30.48	1- -2
13	33.02	1- -3
14	35.56	1- -4
15	38.10	1- -5
16	40.64	1- -6
17	43.18	1- -7
18	45.72	1- -8
19	48.26	1- -9
20	50.80	2- -0
21	53.34	2- -1
22	55.88	2- -2
23	58.42	2- -3
24	60.96	2- -4
25	63.50	2- -5
26	66.04	2- -6
27	68.58	2- -7
28	71.12	2- -8
29	73.66	2- -9
30	76.20	3- -0
31	78.74	3- -1
32	81.28	3- -2
33	83.82	3- -3
34	86.36	3- -4
35	88.90	3- -5
36	91.44	3- -6
37	93.98	3- -7
38	96.52	3- -8
39	99.06	3- -9
40	101.60	4- -0
41	104.14	4- -1
42	106.68	4- -2
43	109.22	4- -3
44	111.76	4- -4
45	114.30	4- -5
46	116.84	4- -6
47	119.38	4- -7
48	121.92	4- -8
49	124.46	4- -9
50	127.00	5- 925 369 -0

OBSOLETE

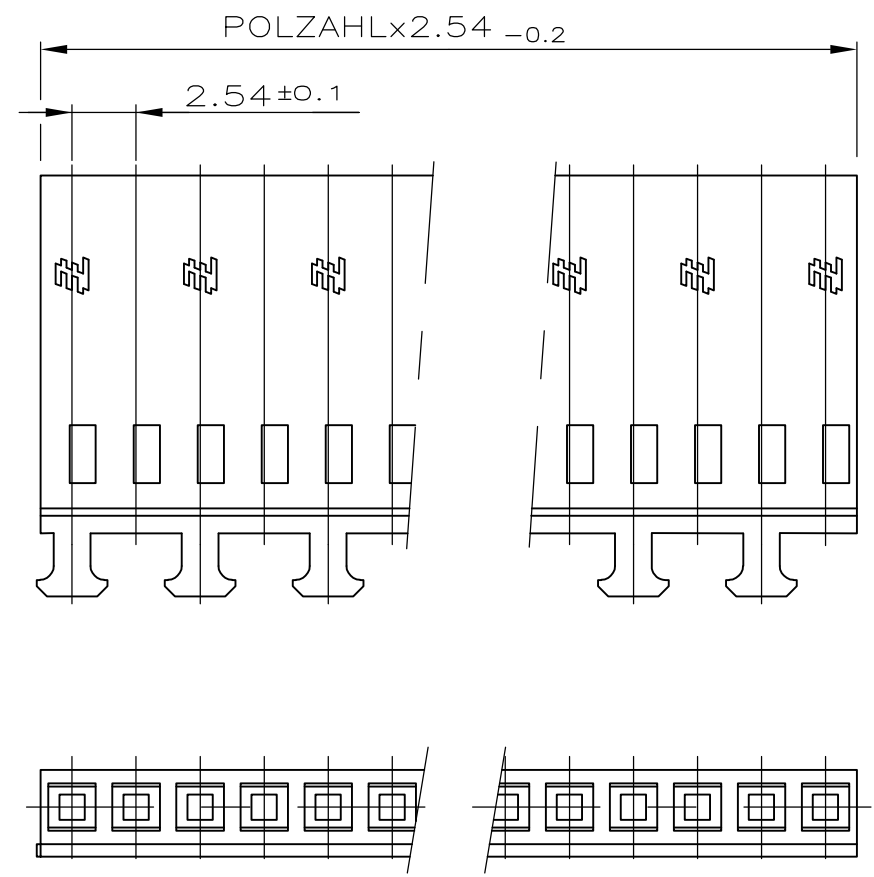
OBSOLETE

OBSOLETE

OBSOLETE

OBSOLETE

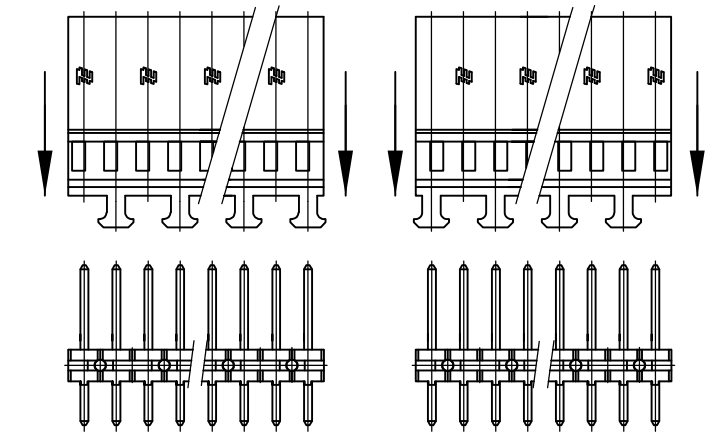
OBSOLETE



OBSOLETE PARTS: OBSOLETE CIS STREAMLINING PER D.RENAUD/D.SINISI

RAST-NOPPENSTELLUNG WECHSELT PRODUKTIONSBEDINGT.  
NOPPEN VERRASTEN ENTSPRECHEND LINKS ODER RECHTS MIT STIFTLAISTE.

POSITIONS OF LOCKING DEVICE CHANGED CONDITIONAL OF PRODUCTION.  
KNUPS LOCK ACCORDING ON THE LEFT OR RIGHT SIDE WITH PIN HEADER.



GRÜN RAL6011	WAR
OBERFLÄCHE FARBE	75-9226

THIS DRAWING IS A CONTROLLED DOCUMENT.	
DIMENSIONS: mm	TOLERANCES UNLESS OTHERWISE SPECIFIED:
	0 PLC ± -
	1 PLC ± -
	2 PLC ± 0.2mm
	3 PLC ± -
	4 PLC ± -
	ANGLES ± -
MATERIAL PA 6.6	FINISH -

DWN DAHLHEIMER 05.12.75		Tyco Electronics Corporation Langen b.Ffm.	
CHK KREPP		NAME	
APVD -		AMP MODU IV GEHAUSE, EINREIHIG	
PRODUCT SPEC -		SIZE	CAGE CODE
APPLICATION SPEC -		DRAWING NO	RESTRICTED TO
WEIGHT -		A3 00779	C-925369
CUSTOMER DRAWING		SCALE -	SHEET 1 OF 1
			REV V