

Please note that the data given here has been taken from the online catalog. For comprehensive information and data, please refer to the user documentation at <http://www.download.phoenixcontact.com>. The General Terms and Conditions of Use apply to Internet downloads.

► Extract from the online catalog



D-SUB connector, 9-pin, with two cable entries, bus system: MODBUS, CECELEC, pin assignment: 1, 1, 2, 3, 6, 7, version: female

The illustration shows version SUBCON-PLUS M 2

Order No.	2744102
Ord designation	SUBCON-PLUS F5
EAN	4017918376055
Pack	1 Pcs.
Customs tariff	85366990
Catalog page information	Page 405 (IF-2005)

► Technical data

General data

Nominal voltage U_N	60 V AC/DC
Nominal current I_N	1 A
Bus system	MODBUS, CEGELEC
Insertion/withdrawal cycles	> 200
Max. cable diameter	10 mm
Min. cable diameter	6 mm
SUBCON fixing screws	4-40 UNC
Tightening torque	0.4 Nm
Ambient temperature (operation)	-20 °C ... 70 °C
Housing material	ABS, metal-plated
Pin assignment	1,1,3,6,7,8 on two terminal blocks

Connection data

Connection	D-SUB connection
Number of positions	9
Type of connection	D-SUB female connector
Tightening torque	0.4 Nm
Connection	PCB connection
Type of connection	Screw connection
Conductor cross section, rigid min.	0.14 mm ²
Conductor cross section, rigid max.	1.5 mm ²
Conductor cross section flexible min.	0.14 mm ²
Conductor cross section, flexible max.	1 mm ²
Conductor cross section AWG/kcmil min.	26
Conductor cross section AWG/kcmil max	16
Stripping length	5 mm
Tightening torque	0.4 Nm

► Certificates

Certificate logos



UL

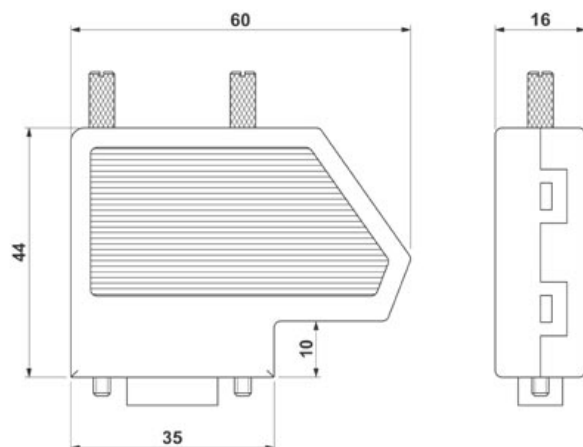
Nominal voltage U_N	125 V
Nominal current I_N	1 A
AWG/kcmil	30-16

CUL

Nominal voltage U_N	125 V
Nominal current I_N	1 A
AWG/kcmil	30-16

► Drawings

Dimensioned drawing



▶ Accessories

Item	Designation	Description
Assembly		
2799694	SUBCON-SHORT-SCREW	Optional fixing screw, short (w/o knurl)

► Address

PHOENIX CONTACT GmbH & Co. KG
Flachsmarktstr. 8
32825 Blomberg
Germany
Phone +49 5235 3 00
Fax +49 5235 3 41200
<http://www.phoenixcontact.com>
Phoenix Contact
Technical modifications reserved;