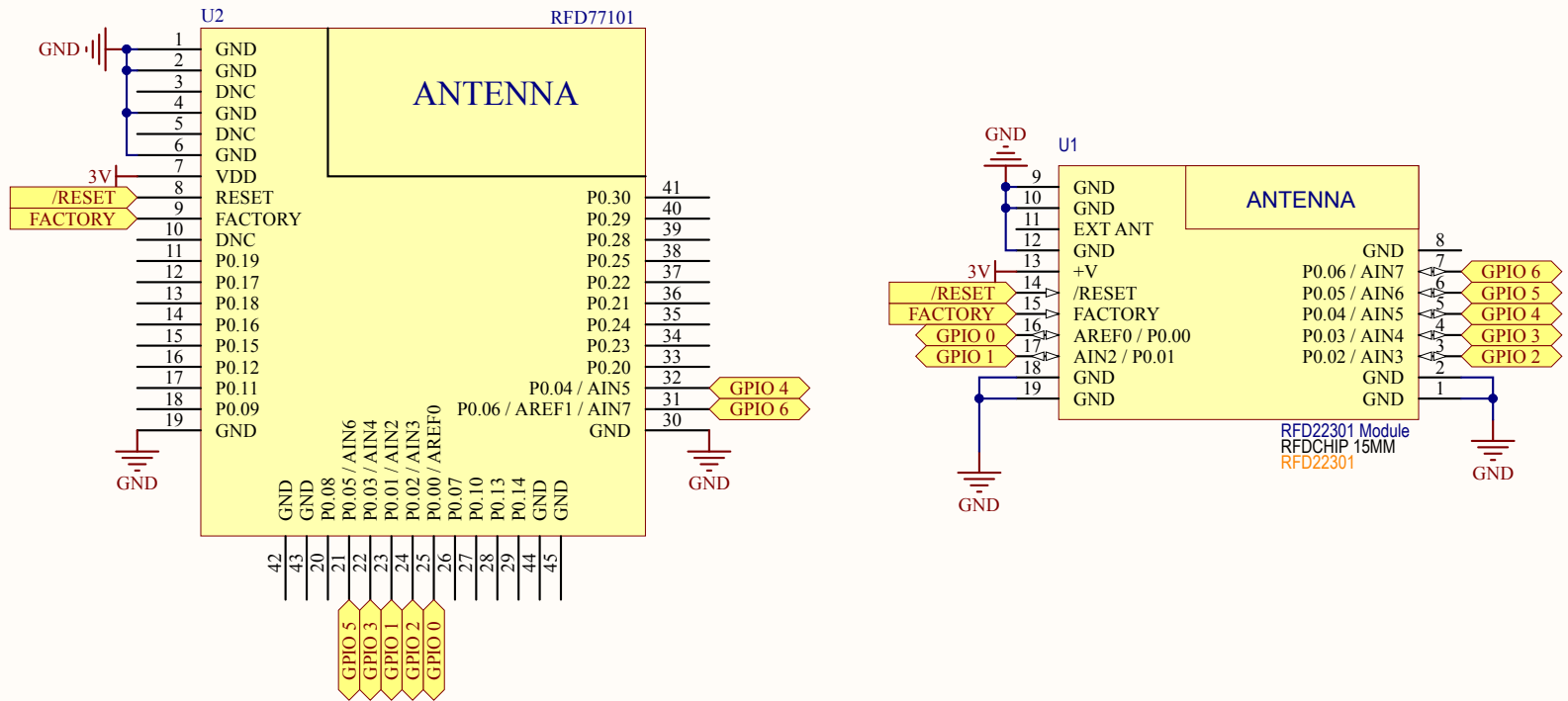


2 Layer PCB, 6mil/6mil width/clearance

15mil drill / 30mil pad VIAs

Vias must be tented



Title		
DUAL FOOTPRINT		
Size	Number	Revision
A		
Date:	4/7/2015	Sheet of