

TIMEFLOW TAPS

Specialist timeflow
engineering for reliability
and water economy in
commercial washrooms



POWERED BY  **PRESTO** TECHNOLOGY



The Safety Valve Specialist

Reliance Water Controls Ltd

A Reliance Worldwide Company

Worcester Road, Evesham,
Worcestershire, WR11 4RA, UK

UK - Freephone: 0800 389 5931

Freefax: 0800 389 5932

Outside UK - Tel: +44 (0) 1386 712400

Fax: +44 (0) 1386 712401

Email: sales@rwc.co.uk

www.rwc.co.uk

Economy with Control

Today Britain's reservoirs are threatened by an ever increasing demand for water. Risks of shortages and pollution caused by excessive use of water are well documented not only in the UK but in many other parts of the world as well. Wastage can account for almost 20% of total water consumption. The implications of this statement are many and costly, not only from a monetary point of view but also from an environmental perspective. If we consider that every drop of water that is bought must not only be paid for initially so that it can be used (or wasted, as the case may be), it must also be disposed of. This incurs a cost as well in the form of sewerage charges, and when you consider that sewerage charges are based on the amount of water consumed it is obvious that the real cost of wastage in monetary terms is very high indeed. From an environmental perspective the cost of wastage is equally alarming, not only because of the potential ramifications that low river and lake water levels can have on plant and animal life, but because of the potentially high pollution levels that can be caused by overloading sewage treatment plants beyond their effective working capacity.

To preserve the future of Britain's water reserves, water must be managed in an economical and ecologically sound way. Reliance Water Controls has a long history of providing high quality products to meet the changing demands of the marketplace and the new Reliance range of timeflow valves is the latest addition to our portfolio of water saving and water control devices.

Powered by – Reliability by Design

Reliance and the specialist French sanitary fittings supplier Presto have formed a unique partnership. Although Presto is already a well known supplier of top quality timeflow products to the UK market, by making Reliance the exclusive distributor of their specialist products they can reach a much wider market with a bigger range of product than ever before. In the 80 years that Presto has been building timeflow sanitary fittings, they have perfected the techniques and design that make their products the most reliable on the market today.

Water Savings Explained

Because of the dwindling natural resources and the high cost of water and waste treatment, it is now clearer than ever that we must change our usage habits in terms of water control. But how much water can a timeflow control really save?

Consider the following example. If we assume that the average person will spend 1 minute washing their hands in a public facility, with an unregulated tap running at 15 litres per minute, that person would use 15 litres of water.

If a timeflow tap was fitted, the person would wet their hands and start soaping during the first run time of 15 seconds, finish soaping without water running and then rinse off during the second run time of 15 seconds. With the internal flow regulator set at 6 litres per minute, in this hand washing scenario the person will have used a maximum of 3 litres. A third or fourth activation would still use considerably less water than the unregulated manual tap.

Anti-vandal = Anti-waste

In addition to the substantial savings that can be realised by something as simple as automatically regulating flow as these taps do, there are also substantial savings to be made from the fact that the valves are vandal resistant. A common occurrence in commercial properties of all types is for taps to be left running, either by accident or design; sometimes a vandal may also block the drain for added fun and destruction. With a typical manual tap this is done by simply leaving it on. With a timeflow tap the button or handle has to be blocked open or tied with wire or string - more difficult but not impossible. For real resistance to vandalism, the timeflow tap with an 'S' classification should be used. The 'S' stands for 'security' and taps that carry this mark are designed to be highly resistant to vandalism. With an ordinary timeflow tap, as soon as the button is pushed the seat is opened and water begins to flow; if the button is held down water will continue to flow. With an 'S' tap, when the button is pushed the water does not flow until the button is released and returned to its starting position. It will then run for 15 seconds as usual. So any holding down or jamming of the button will have no effect.

Flow Regulation

In order to minimise waste and to realise the best possible benefits from the use of timeflow taps, it is important that not only the duration of the flow be controlled but also the rate at which the water is flowing. All of the taps in the Reliance timeflow range incorporate an adjustable flow regulator; this comes factory set at 6 lpm (at 3bar) but can be adjusted to give a flow of between 4 and 10 lpm.

Maintenance

Two critical considerations when selecting timeflow taps for use in the commercial arena are the speed and ease of maintenance of the products. All of the Reliance timeflow taps are built using a one piece cartridge principle; this means that only one part needs to be stocked to completely refurbish the inner workings of the tap. This can save an enormous amount of time when servicing the taps as well as simplifying the stocking of spare components.

Timeflow Basin and Bib Taps

The Reliance range of timeflow taps are an ideal solution to control and regulate the use of water for ablutionary purposes in commercial, industrial, and leisure applications and can be used in conjunction with Reliance's range of thermostatic mixing valves to give a complete temperature and flow control solution. Timeflow taps have been shown to save up to 60% of the water usage of a conventional tap by automatically shutting off the flow of water after 15 seconds. The cartridge style construction of these taps reduces parts stocking and means that maintenance downtime is kept to a minimum.

Features and Benefits

- **Removable cartridge for easy maintenance or replacement**
- **Internal 5 position flow regulator preset at 6 lpm**
- **Standard ½" MBSP connection**
- **Conform to BSEN 816, the British and European standard for timeflow controls**
- **Save up to 60% of water usage in comparison with conventional taps**
- **Save energy as well as water when fitted on hot water systems**
- **15 second timed flow rate**
- **Supplied with flow straightener, to prevent water splash**

Specifications

Maximum working pressure	6 bar
Minimum working pressure	0.2 bar
Maximum static pressure	10 bar
Timed flow rate	15 secs (+/- 5)
Maximum temperature	80°C
Minimum temperature	5°C
Connection	½" MBSP

Standards

Conform to BSEN 816

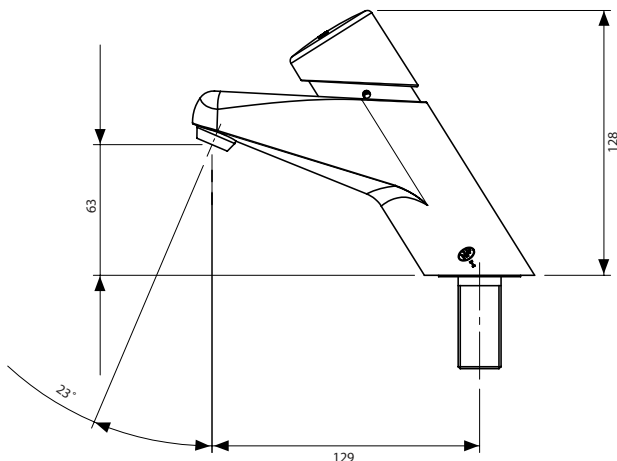
Approvals

KIWA

NF

WRAS approval application pending

Reliance 2000 and 2000 S Timeflow Basin Taps



Product	Size	Product Code
Reliance 2000 15 sec timed flow basin tap – cold	½" MBSP	PUSH 200 050
Reliance 2000 15 sec timed flow basin tap – hot	½" MBSP	PUSH 200 051

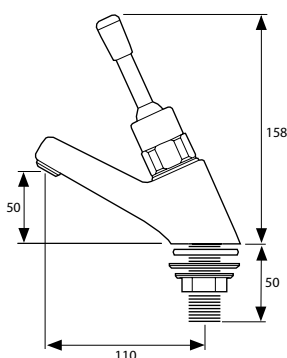
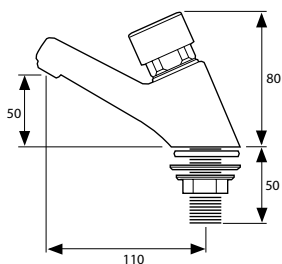
The Reliance 2000 series of tap is also available with an anti blocking system. This means that the water will not begin to run until after the button is released, this prevents potential vandalism by holding the push button in the open position.

Product	Size	Product Code
Reliance 2000 S 15 sec timed flow basin tap, anti blocking – cold	½" MBSP	PUSH 200 055
Reliance 2000 S 15 sec timed flow basin tap, anti blocking – hot	½" MBSP	PUSH 200 056

Specify as

Reliance 2000 or 2000 S (as applicable) timeflow basin taps with wear resistant synthetic ruby, 5 position internal flow regulator and fully replaceable cartridge.

Reliance 606 and 706 Timeflow Basin Taps



Product	Size	Product Code
Reliance 606 15 sec timed flow basin tap	½" MBSP	PUSH 200 000
Reliance 706 15 sec timed flow basin tap – with lever	½" MBSP	PUSH 200 040

The Reliance 606 series of tap is also available with an anti blocking system. This means that the water will not begin to run until after the button is released, this prevents potential vandalism by holding the push button in the open position.

Product	Size	Product Code
Reliance 606 S 15 sec timed flow basin tap, anti blocking	½" MBSP	PUSH 200 005

Specify as

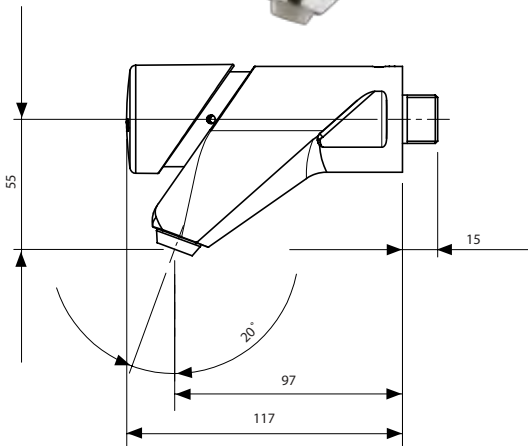
Reliance 606 or 606 S (as applicable) timeflow basin taps with wear resistant synthetic ruby, 4 position internal flow regulator and fully replaceable cartridge.

Specify as

Reliance 706 timeflow lever operated basin taps with wear resistant synthetic ruby, 4 position internal flow regulator and fully replaceable cartridge.

All dimensions in mm unless otherwise stated.

Reliance 2010 and 2010 S Timeflow Bib Taps



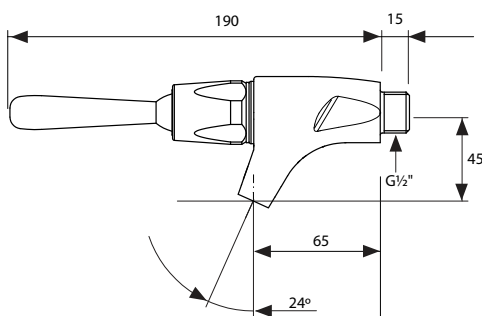
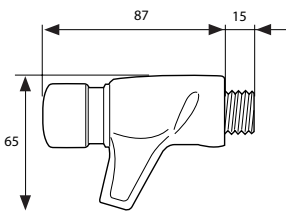
Product	Size	Product Code
Reliance 2010 15 sec timed flow bib tap – cold	½" MBSP	PUSH 200 060
Reliance 2010 15 sec timed flow bib tap – hot	½" MBSP	PUSH 200 061

The Reliance 2010 series of tap is also available with an anti blocking system. This means that the water will not begin to run until after the button is released, this prevents potential vandalism by holding the push button in the open position.

Product	Size	Product Code
Reliance 2010 S 15 sec timed flow bib tap, anti blocking – cold	½" MBSP	PUSH 200 065
Reliance 2010 S 15 sec timed flow bib tap, anti blocking – hot	½" MBSP	PUSH 200 066

Specify as
Reliance 2010 or 2010 S (as applicable) timeflow bib taps with wear resistant synthetic ruby, 5 position internal flow regulator and fully replaceable cartridge.

Reliance 506 and 704 Timeflow Bib Taps



Product	Size	Product Code
Reliance 506 15 sec timed flow bib tap	½" MBSP	PUSH 200 020
Reliance 704 15 sec timed flow bib tap with lever	½" MBSP	PUSH 200 035

The Reliance 506 series of tap is also available with an anti blocking system. This means that the water will not begin to run until after the button is released, this prevents potential vandalism by holding the push button in the open position.

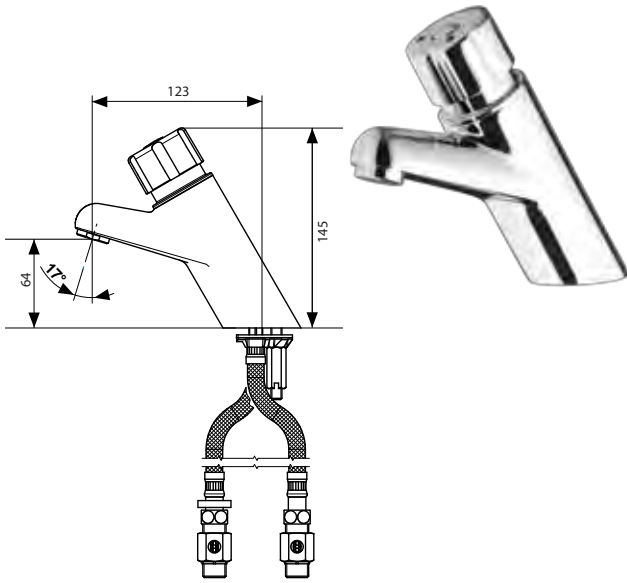
Product	Size	Product Code
Reliance 506 S 15 sec timed flow bib tap, anti blocking	½" MBSP	PUSH 200 025

Specify as
Reliance 506 or 506 S (as applicable) timeflow bib taps with wear resistant synthetic ruby, 4 position internal flow regulator and fully replaceable cartridge.

Specify as
Reliance 704 timeflow lever operated bib taps with wear resistant synthetic ruby, 4 position internal flow regulator and fully replaceable cartridge.

All dimensions in mm unless otherwise stated.

Reliance 4000 S Timeflow Mixer Tap



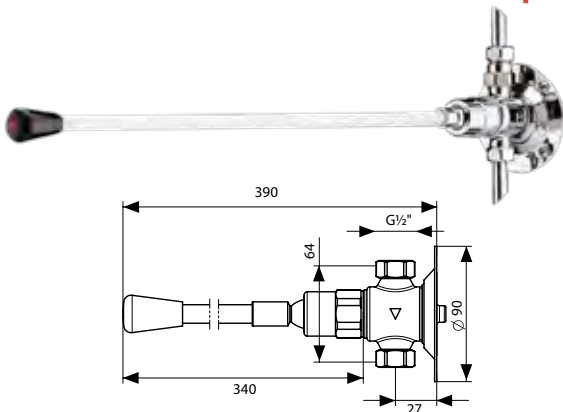
Product	Size	Product Code
Reliance 4000 S 15 sec timed flow mixer tap	15mm Compression	PUSH 200 070

The Reliance 4000 S series tap is supplied with an anti blocking system. This means that the water will not begin to run until after the button is released, this prevents potential vandalism by holding the push button in the open position.

Specify as

Reliance 4000 S timeflow mixer tap with chrome control knob, self cleaning mechanism, anti scale and anti corrosion internal components and a security system to prevent continuous flow. With isolating valves, strainers, and check valves.

Reliance 712 Knee Operated Control

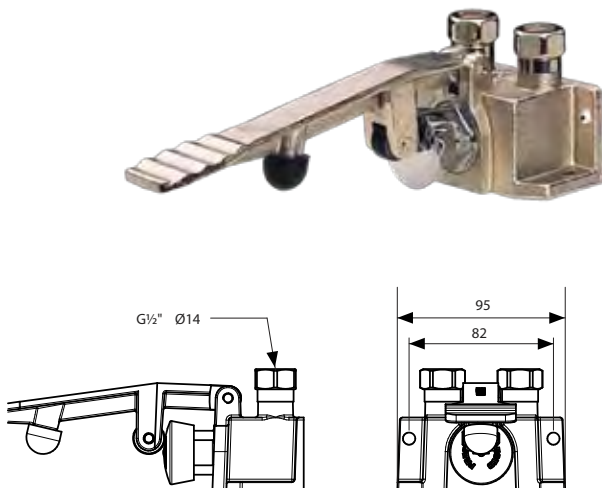


Product	Size	Product Code
Reliance 712 15 sec timed flow knee operated control with lever	15mm Compression	PUSH 200 090

Specify as

Reliance 712 timeflow knee operated control with flexible actuator, wear resistant synthetic ruby, 4 position internal flow regulator and fully replaceable cartridge.

Reliance 520 Foot Operated Control



Product	Size	Product Code
Reliance 520 15 sec timed flow foot operated control with lever	15mm Compression	PUSH 200 080

Specify as

Reliance 520 timeflow knee operated control with flexible actuator, wear resistant synthetic ruby, 4 position internal flow regulator and fully replaceable cartridge.

All dimensions in mm unless otherwise stated.

TIMEFLOW TAPS



Reliance Water Controls Ltd

A Reliance Worldwide Company

Worcester Road, Evesham,
Worcestershire, WR11 4RA, UK

UK - Freephone: 0800 389 5931
Freefax: 0800 389 5932
Outside UK - Tel: +44 (0) 1386 712400
Fax: +44 (0) 1386 712401

Email: sales@rwc.co.uk

www.rwc.co.uk

Reliance has prepared the content of this document carefully but disclaims all warranties, express or implied, as to the accuracy of the information contained herein. Reliance reserves the right to make changes to the product and the information contained in this document at any time.

TFLOTAPS-001-01/11

© Reliance Water Controls Ltd 2011