


**Ordering number F11947\_JULIA-A**

Family	Julia	FWHM	96+166 degrees
Type	Lens	Efficiency	90 %
LED	XP-G	cd/lm	0.210
Color	Clear	Gerber File	Available
Diameter	18.86 mm		
Height	4.66 mm		
Style	Round		
Optic Material	PMMA		
Holder Material	-		
Fastening	Pin, glue		
Status	Ready		

[http://www.ledil.fi/Julia\\_Uniform\\_Wide\\_Angle\\_Illumination\\_-\\_Id](http://www.ledil.fi/Julia_Uniform_Wide_Angle_Illumination_-_Id)
**Ordering number FA11948\_JULIA-A**

Family	Julia	FWHM	96 +166 degrees
Type	Assembly	Efficiency	90 %
LED	XP-G	cd/lm	0.210
Color	Clear	Gerber File	Available
Diameter	18.8 mm		
Height	4.81 mm		
Style	Round		
Optic Material	PMMA		
Holder Material	-		
Fastening	Pin, tape		
Status	Ready		

[http://www.ledil.fi/Julia\\_Uniform\\_Wide\\_Angle\\_Illumination\\_-\\_Id](http://www.ledil.fi/Julia_Uniform_Wide_Angle_Illumination_-_Id)

**NOTE: The typical divergence will be changed by different color, chip size and chip position tolerance. The typical total divergence is the full angle measured where the luminous intensity is half of the peak value.**



## PRODUCT DATASHEET

### Julia series

last update 13/11/2012

#### GENERAL INFORMATION

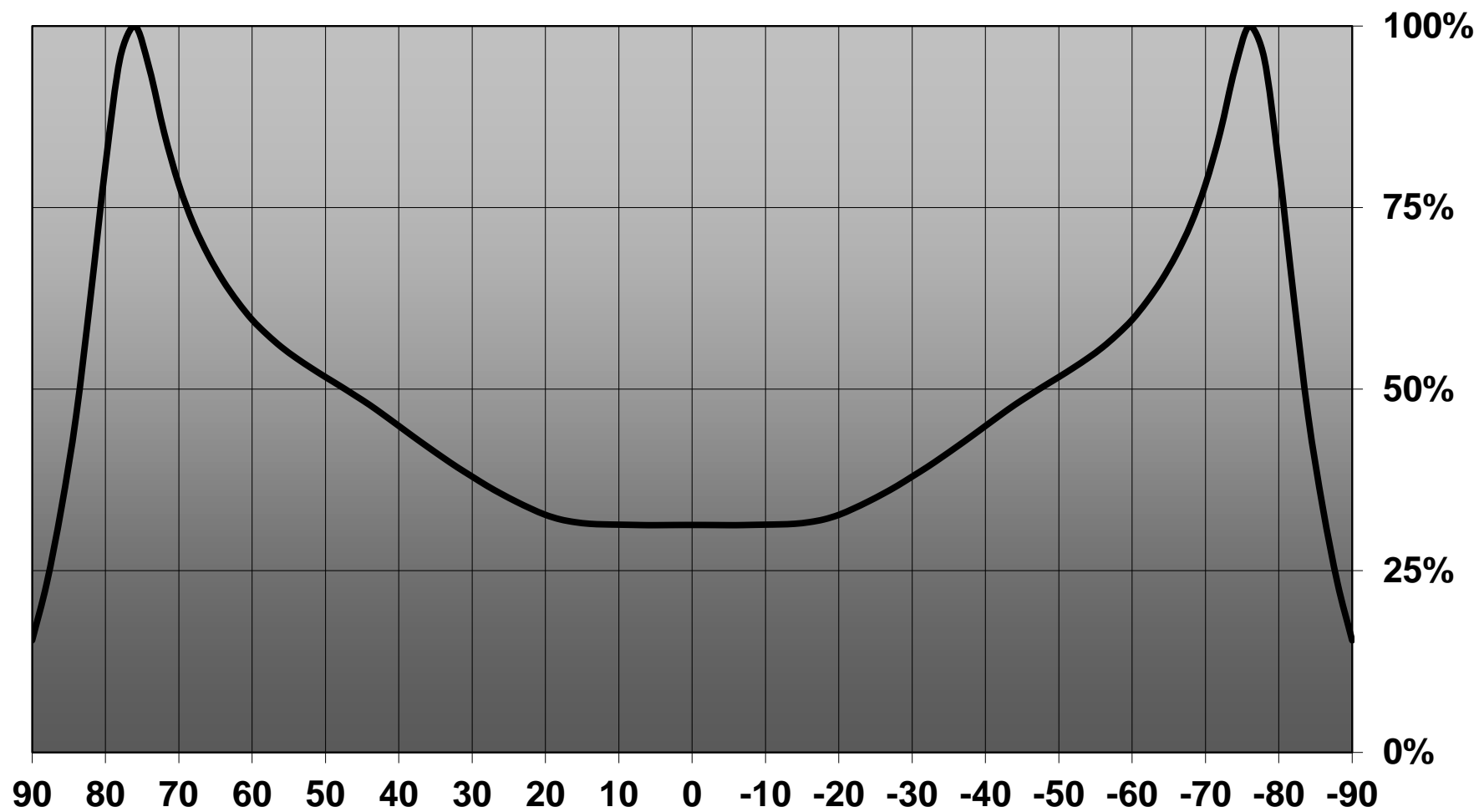
- Product series especially designed & optimized for XP-G series of LEDs.
- Special care taken to make light distribution as uniform as possible.
- Lens material optical grade PMMA with high UV and temperature resistance. Allows use of high current and temperature conditions.

Please find more information about used material from below:

[http://ledil.fi/sites/default/files/Documents/Technical/Material/PMMA%20N%20UL94\\_Yellow%20Card.pdf](http://ledil.fi/sites/default/files/Documents/Technical/Material/PMMA%20N%20UL94_Yellow%20Card.pdf)

<http://ledil.fi/sites/default/files/Documents/Technical/Material/PMMA%20N%20PLEXIGLAS-Datasheet.pdf>

Relative intensity of F11947\_Julia-A\_XP-G

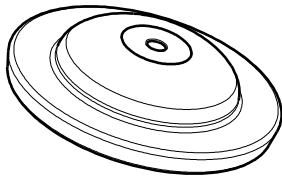


D

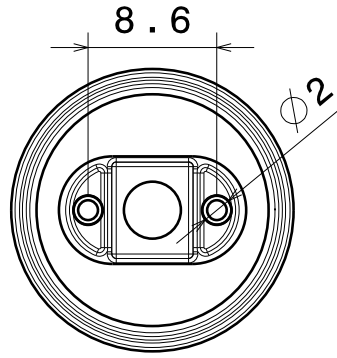
C

B

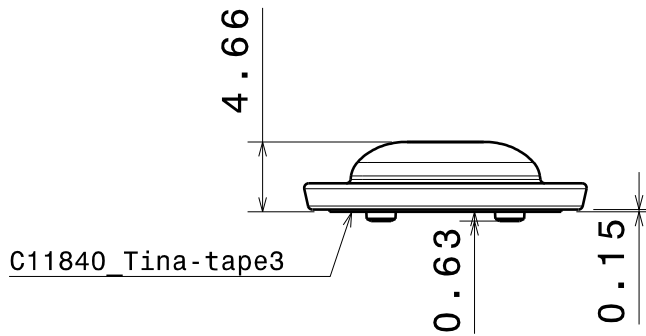
A



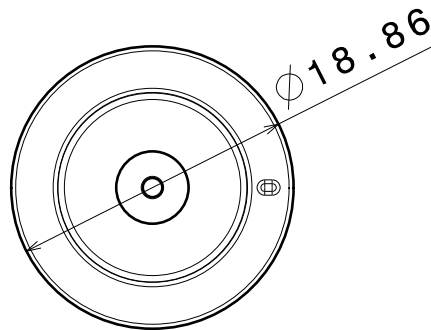
Isometric view



Bottom view



Front view



Top view

Material: PMMA

Part no.s:

Lens: F11947\_Julia-A

Assembly: FA11948\_Julia-A-tape

(F11947\_Julia-A + C11840\_Tina-tape3)

This drawing is our property.  
It can't be reproduced  
or communicated without  
our written agreement.



Ledil Oy  
Tehdaskatu 13  
FIN-24100 SALO  
Finland

DRAWING TITLE

Datasheet Julia-A Lens

DRAWN BY

mav

DATE

07.01.2011

CHECKED BY

tk

DATE

07.01.2011

SIZE

A4

DRAWING NUMBER

F11947

REV

1

DESIGNED BY

o1

DATE

20.12.2010

SCALE

2:1

WEIGHT (g)

SHEET

1/1

D

A