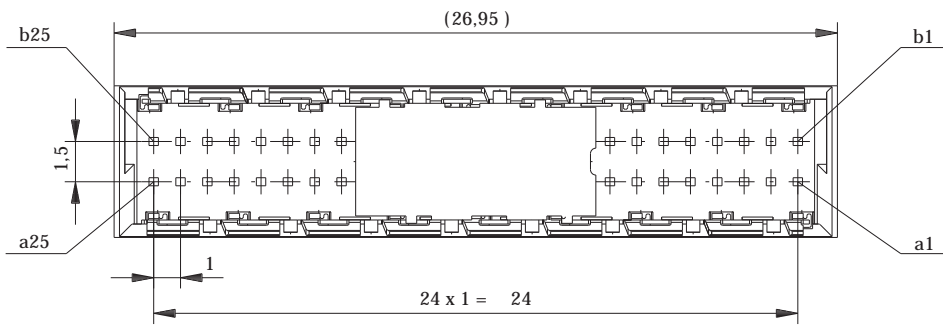
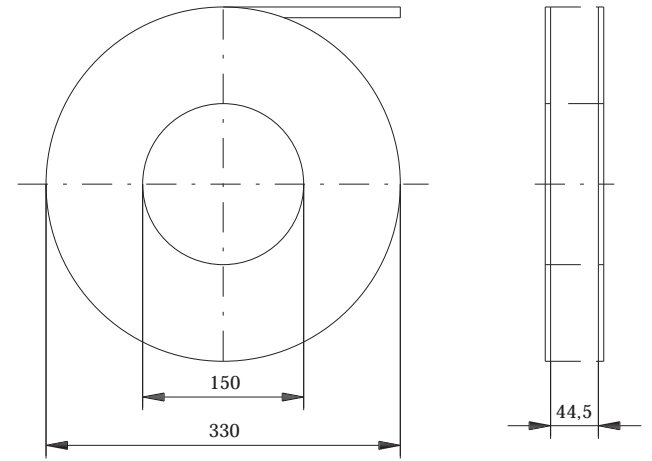
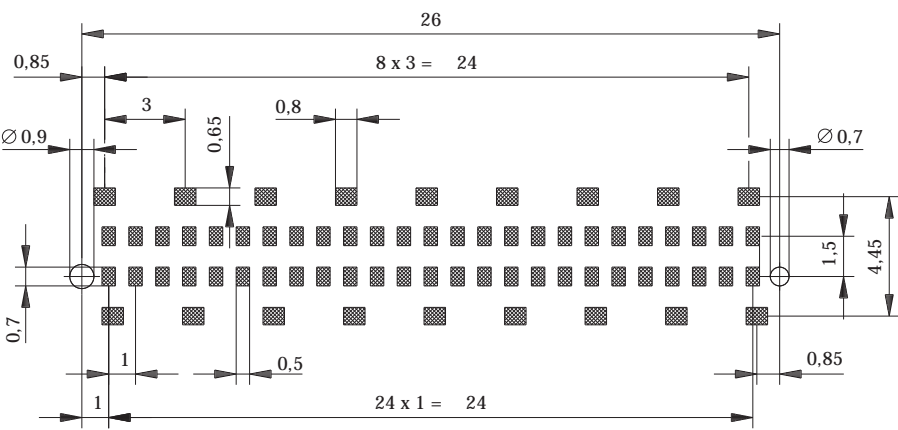


Verpackt in Gurtverpackung
Verpackungseinheit: 500 Stück

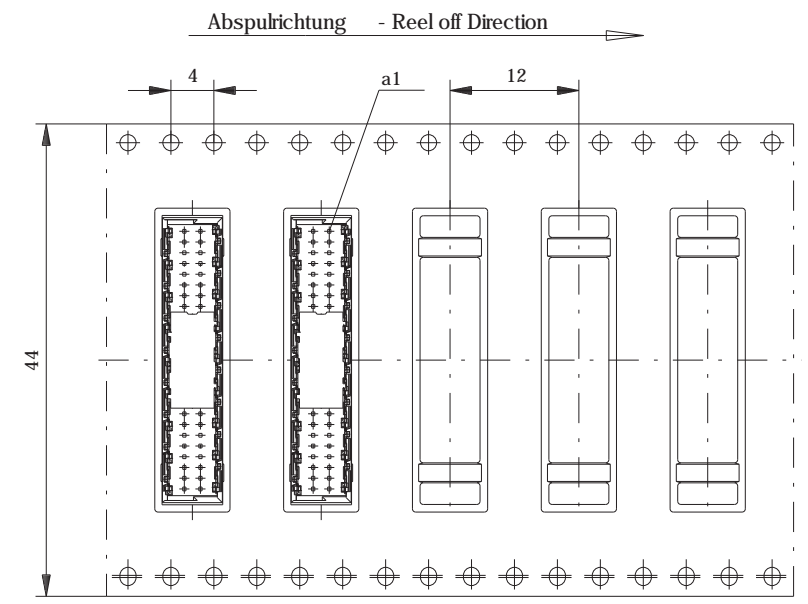
- Tape on Reel Packaging
- Packaging unit: 500 pcs



Leiterplatten-Layout / PCB-Layout



- Anforderungsstufe 1
- Performance Level 1
- Kontaktbereich vergoldet
- Mating Area gold plating
- Anschlussbereich verzinkt 4-6 µm
- Terminal Area 4-6 µm tin plating
- Koplanarität der Anschlüsse \hat{u} 0.1 mm
- Coplanarity Area of Termination \hat{u} 0.1 mm



Information:		Tolerances	Scale 5:1	Angaben zu entsprechender Ident-Nr. siehe Fertigungsunterlagen For further information about ID number see manufacturing document	
All rights reserved. Only for information. To insure that this is the latest version of this drawing, please contact one of the ERNI companies before using.		Subject to modification without prior notice. Drawing will not be updated.	 All Dimensions in mm	Designation	
				Messerleiste SMD, 50 polig Male Con. SMD, 50 contacts	
b	31.07.2003	Elektroapparate GmbH D-73099 ADELBERG		144680	
Index	Date	V:00034876.SZN		MSPEE	

Consider protection memo from DIN 94