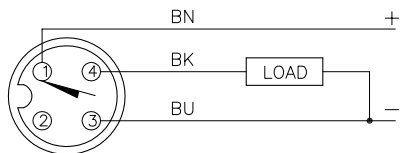


WIRING DIAGRAM

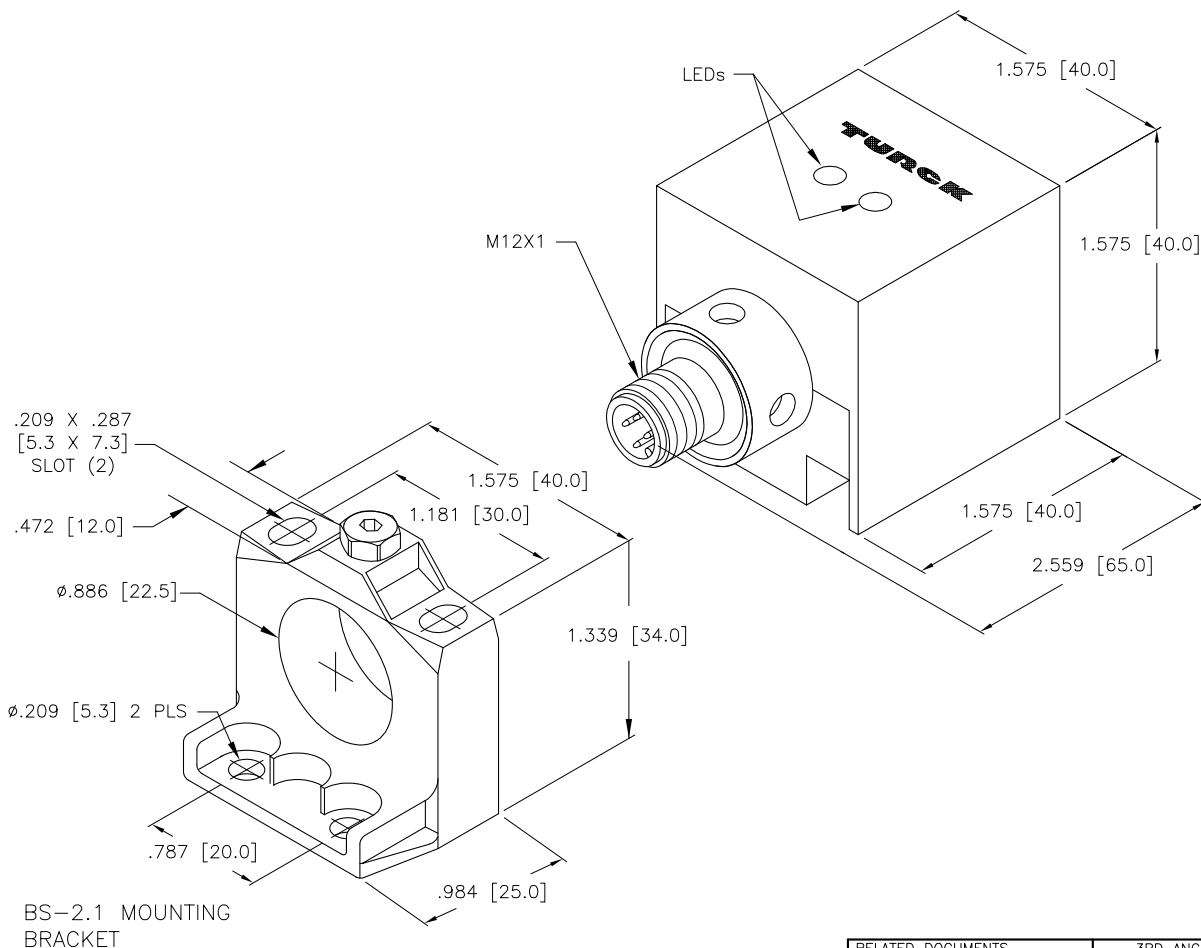


OUTPUT: AP6X2

SHORT-CIRCUIT AND OVERLOAD PROTECTED

SPECIFICATIONS

OPERATING VOLTAGE	10-30 VDC
RIPPLE	≤10%
DIFFERENTIAL TRAVEL (HYSTERESIS)	3-15% (5% TYPICAL)
VOLTAGE DROP ACROSS CONDUCTING SENSOR	≤1.8 V at 200 mA
OUTPUT FUNCTION	NORMALLY OPEN 3-WIRE DC SELF-CONTAINED
SHORT-CIRCUIT PROTECTED	YES
TRIGGER CURRENT FOR OVERLOAD PROTECTION	≥220 mA
CONTINUOUS LOAD CURRENT	≤200 mA
OFF-STATE (LEAKAGE) CURRENT	<0.1 mA
NO-LOAD CURRENT	< 15 mA
TIME DELAY BEFORE AVAILABILITY	≤8 ms
POWER-ON EFFECT PROTECTION	PER IEC 947-5-2
REVERSE POLARITY PROTECTION	INCORPORATED
WIRE-BREAK PROTECTION	INCORPORATED
PROTECTION AGAINST TRANSIENTS	EN60947-5-7
OPERATING TEMPERATURE	0°C TO +70°C (+32°F TO +158°F)
ENCLOSURE	MEETS NEMA 1, 3, 4, 6, 13 AND IEC IP67
SHOCK	30 g, 11 ms
VIBRATION	55 Hz, 1 mm AMPLITUDE (IN ALL 3 PLANES)
LED FUNCTION	GREEN: POWER ON YELLOW: OUTPUT ENERGIZED YELLOW FLASHING: SHORT-CIRCUIT WARNING
RATED OPERATING DISTANCE(S _n)	20 mm = .787" (NOMINAL)
EMBEDDABLE (SHIELDED)	YES
SWITCHING FREQUENCY	260 Hz
REPEATABILITY	≤2% of RATED OPERATING DISTANCE



BS-2.1 MOUNTING BRACKET

NOTES:

1. SENSING HEAD CAN ROTATE TO 5 DIFFERENT SENSING POSITIONS.
2. UPROX HAS WELD FIELD IMMUNITY, SENSOR IS SUITABLE FOR USE ON RESISTANCE MACHINES.

SOURCE DRAWING - FOR REFERENCE ONLY

RELATED DOCUMENTS 1. 2. 3. 4.	3RD ANGLE PROJECTION 	THIS DRAWING IS PROPERTY OF TURCK INC. USE OF THIS DOCUMENT WITHOUT WRITTEN PERMISSION IS PROHIBITED.		3000 CAMPUS DRIVE MINNEAPOLIS, MN 55441 1-800-544-7769 (763) 553-7300 (763) 553-0708 fax turck.com	
	MATERIAL HOUSING: GD-ALSI12 FRONTCAP: THERMOSET PLASTIC	ALL DIMENSIONS DISPLAYED ON THIS DRAWING ARE FOR REFERENCE ONLY	DRFT CBM DSGN -	DATE 9/11/97 SCALE NONE	DESCRIPTION BI20U-CA40-AP6X2-H1141 W/BS 2.1
FINISH	CONTACT TURCK FOR MORE INFORMATION	UNIT OF MEASUREMENT INCH [MILLIMETER]		IDENTIFICATION NO. M1627290	REV C
DO NOT SCALE THIS DRAWING		FILE: M1627290		SHEET 1 OF 1	

C	UPDATE OPERATING TEMPERATURE, SEE ECO	RWC	12/09/10	33512
REV	DESCRIPTION	BY	DATE	ECO NO.