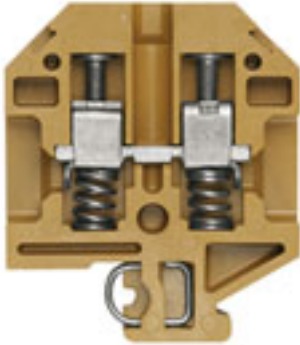


**SAK Series
RSF 1 KRG**

Weidmüller Interface GmbH & Co. KG
Klingenbergstraße 16
D-32758 Detmold
Germany
Fon: +49 5231 14-0
Fax: +49 5231 14-292083
www.weidmueller.com



In order to do justice to the different requirements placed on our products, it is necessary to use various insulating materials tailored to the particular application. None of the insulating materials used by Weidmüller contain any hazardous substances. Above all, we ensure that all our materials are free from cadmium. Furthermore, they contain no colour pigments based on heavy metals and do not lead to the formation of dioxin/furan.

General ordering data

Type	RSF 1 KRG
Order No.	0270320000
GTIN (EAN)	4008190009922
Qty.	50 pc(s).

**SAK Series
RSF 1 KRG**

Weidmüller Interface GmbH & Co. KG
 Klingenbergstraße 16
 D-32758 Detmold
 Germany
 Fon: +49 5231 14-0
 Fax: +49 5231 14-292083
 www.weidmueller.com

Technical data
Dimensions and weights

Width	11 mm	Height	50 mm
Height of lowest version	60 mm	Depth	60 mm
Net weight	35.86 g		

Temperatures

Continuous operating temp., min.	-60 °C	Continuous operating temp., max.	130 °C
----------------------------------	--------	----------------------------------	--------

Additional technical data

Explosion-tested version	No	Installation advice	Direct mounting
Number of similar terminals	1	Open sides	right
Type of mounting	Snap-on	Version	Screw connection, for screwable cross-connection, with spring-loaded cable clamp, One end without connector

CSA ratings data

Certificate No. (CSA)	12400-351	Voltage size B (CSA)	300 V
Voltage size C (CSA)	300 V	Voltage size D (CSA)	600 V
Current size B (CSA)	50 A	Current size C (CSA)	50 A
Current size D (CSA)	5 A	Wire cross section max. (CSA)	8 AWG
Wire cross section min. (CSA)	14 AWG		

Clampable wires (rated connection)

Type of connection	Screw connection	Stripping length	15 mm
Blade size	1.0 x 5.5 mm	Connection direction	on side
Number of connections	2	Clamping range, rated connection, min.	0.5 mm ²
Clamping range, rated connection, max.	10 mm ²	Clamping screw	M 4
Tightening torque, min.	1.2 Nm	Tightening torque, max.	1.6 Nm
Torque level with DMS electric screwdriver	4	Gauge to IEC 60947-1	A5
Wire connection cross section, solid core, min. rated connection	0.5 mm ²	Wire connection cross section, solid core max. rated connection	10 mm ²
Wire connection cross section, stranded, rated connection, min.	0.5 mm ²	Wire connection cross section, stranded, rated connection, max.	10 mm ²
Wire connection cross section, finely stranded, max.	4 mm ²	Wire connection cross-section, finely stranded, min.	1.5 mm ²
Wire connection cross section, finely stranded with wire-end ferrules DIN 46228/1, rated connection, min.	0.5 mm ²	Wire connection cross section, finely stranded with wire-end ferrules DIN 46228/1, rated connection, max.	6 mm ²

Rated data

Rated cross-section	10 mm ²	Rated voltage	500 V
Rated impulse withstand voltage	6 kV	Rated current	57 A
Current at maximum wires	57 A	Standards	IEC 60947-7-1
Pollution severity	3		

Data sheet

**SAK Series
RSF 1 KRG**

Weidmüller Interface GmbH & Co. KG
 Klingenbergstraße 16
 D-32758 Detmold
 Germany
 Fon: +49 5231 14-0
 Fax: +49 5231 14-292083
 www.weidmueller.com

Technical data

UL ratings data

Certificate No. (UR)	E60693	Voltage size B (UR)	600 V
Voltage size C (UR)	600 V	Current size B (UR)	40 A
Current size C (UR)	40 A	Wire cross section max. (UR)	8 AWG
Wire cross section min. (UR)	14 AWG		

Material data

Material	KrG	Colour	Medium Yellow
UL 94 flammability rating	V-0, 5VA		

System specifications

Product family	SAK Series	Type of connection	Screw connection
Connection direction	on side	Number of levels	1
Number of connections	2	No. of clamping points per level	2
Levels cross-connected internally	No	Mounting rail	TS 32
End cover plate required	Yes	PE connection	No

Classifications

ETIM 3.0	EC000897	UNSPSC	30-21-18-11
eClass 5.1	27-14-11-20	eClass 6.2	27-14-11-20
eClass 7.1	27-14-11-20		

Product information

Descriptive text technical data	On use of conductor AWG 8/7, the torque is 1.6 Nm.
---------------------------------	--

Approvals

Approvals



ROHS	Conform
------	---------