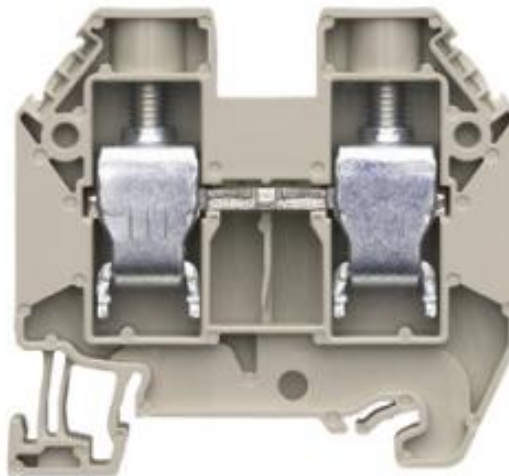


Datasheet

Art.No. 58.516.0055.0

Feed-through terminal WT 16

Feed-through DIN rail terminal block with screw connection for mounting on TS 35; nominal cross section 16 mm²; width 12 mm; color gray



Art.No.	58.516.0055.0
EAN	4049088164514
Order unit	50 pieces

Approvals



Technical data

General

Nominal cross section	16 mm ²
Colour	Grey
Number of levels	1
Number of clamp positions per level	2
Width/grid dimension	12 mm
Insulating housing	PA666
Inflammability class of insulation material acc. with UL94	V0
Mounting method	DIN rail (top hat rail)
Terminal blocks for electrical installations	Yes

Technical data

Rated current	76 A
Rated voltage	1000 V
Rated impulse voltage	8 kV
Pollution degree	3
Closing plate required	Yes
Type of insulation material	Thermoplastic
Length	58 mm

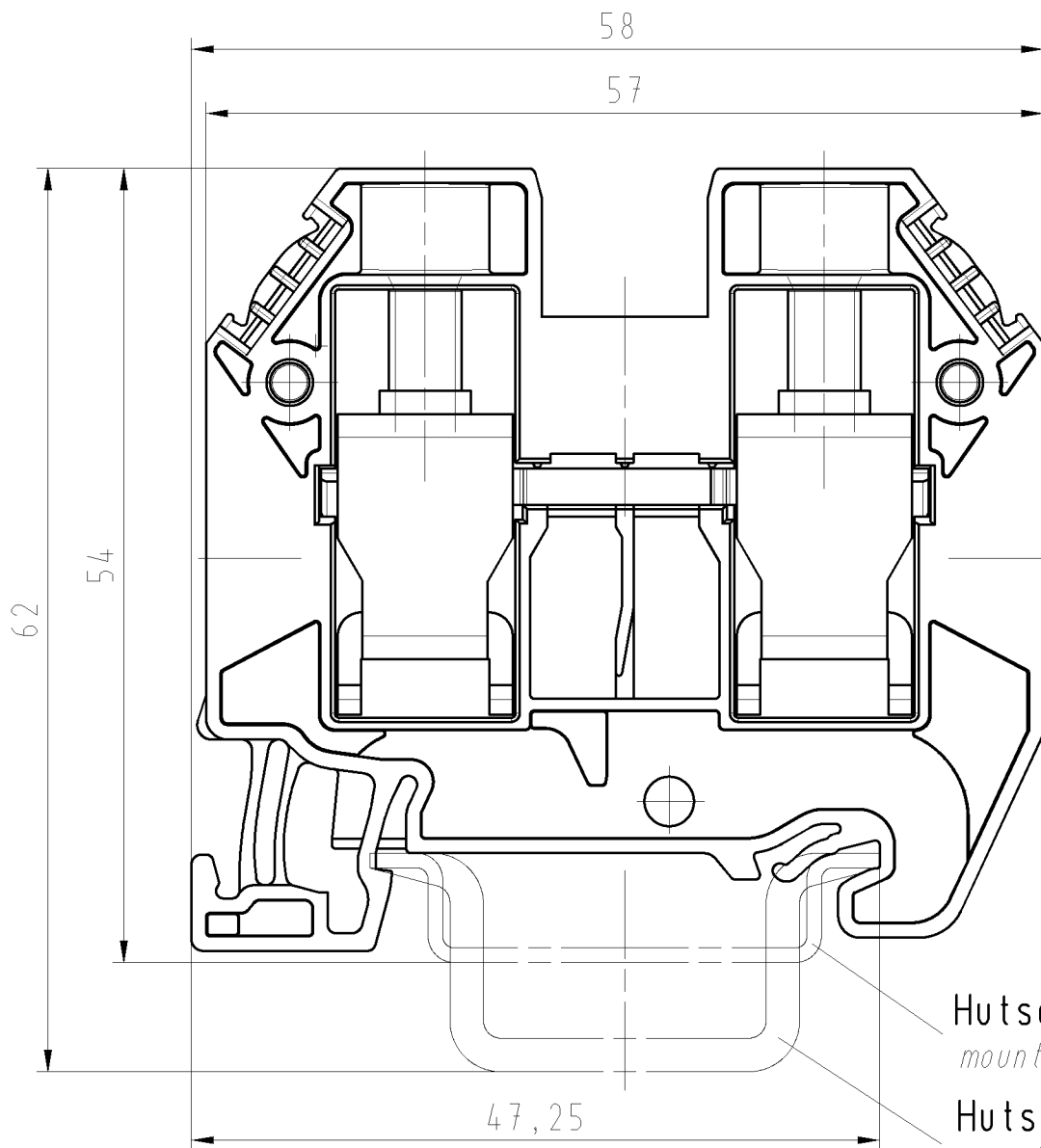
Connection Data

Connection type 1	Screw connection
Connection type 2	Screw connection
Minimum cross section solid	1.5 mm ²

Maximum cross section solid	16 mm ²
Minimum cross section fine stranded	4 mm ²
Maximum cross section fine stranded	25 mm ²
Minimum cross section stranded	16 mm ²
Maximum cross section stranded	25 mm ²
Maximum conductor cross section (flex., stranded) with cable end sleeve	1.5 mm ²
Maximum conductor cross section (flex., stranded) with cable end sleeve	16 mm ²
Wire strip length	15 mm
Torque conductor mounting	2 Nm

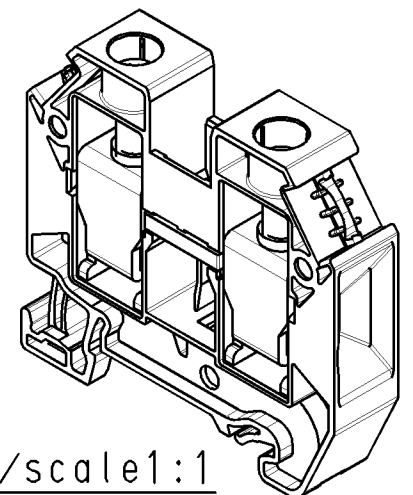
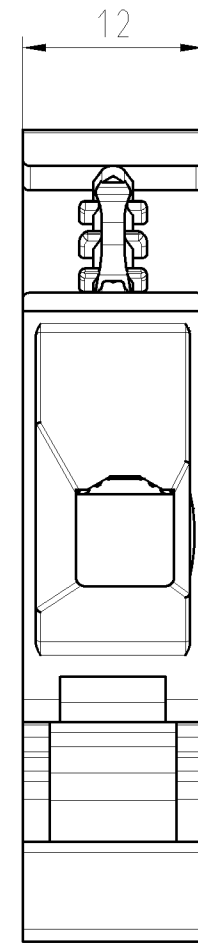
Technical Data UL/CSA

Cross section UL	14-4 AWG
Voltage UL	600 V
Current factory wiring	85 A
Current field wiring	85 A
Cross section CSA	14-4 AWG
Voltage CSA	600 V
Current CSA	85 A



Hutschiene EN 60715-35x7,5
mounting rail EN 60715-35x7,5

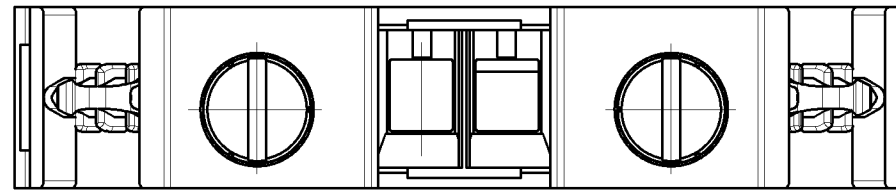
Hutschiene EN 60715-35x15
mounting rail EN 60715-35x15



M/scale 1:1

These dimensions will be especially checked at delivery
 Only inspection dimensions
 With ±E marked dimensions are only valid for internal use

Diese Maße werden bei Abnahme besonders geprüft
 Ausschließlich Prüfmaße
 Mit ±E gekennzeichnete Maße sind nur für interne Zwecke gültig



Teile - Nr. <i>part - no.</i>	Farbe <i>colour</i>
58.516.0055.0	grau <i>grey</i>
58.516.0055.1	schwarz <i>black</i>
58.516.0055.2	weiß <i>white</i>
58.516.0055.4	braun <i>brown</i>
58.516.0055.5	rot <i>red</i>
58.516.0055.6	blau <i>blue</i>
58.516.0055.7	grün <i>green</i>
58.516.0055.8	gelb <i>yellow</i>
58.516.0055.9	orange <i>orange</i>

Tolerierung Size ISO 14405 (E) / Tolerance system Size ISO 14405 (E). (This ISO-standard describes the envelope principle. According to the envelope principle the deviations of form and parallelism are limited by the size tolerances).				ja/yes <input checked="" type="checkbox"/> Stoffverbots- und Deklarationsliste nach UU-TOM-05/03 ist einzuhalten. Conformity with Wieland document UU-TOM-05/03 (list of prohibited / declarable hazardous substances) to be declared!			
Freitoleranz nach General tolerance		CAD - Zeichnung, keine manuellen Änderungen CAD - drawing, no manual modifications allowed		1. Verwendung: - First Use:		Blatt: 1 von 1 Sheet: of	
/		Werkstoff/Material		2013 Tag/Date Name		Zeichnung Nr./Drawing No. Index	
/		Maßstab/Scale		gezeichnet drawn 21.01. Eller		T 58.516.0055.0 01K	
/		2:1		geprüft checked - -		Maße in mm/Dimensions are in mm	
/		Vol. mm ³ Ofl./Surf. mm ²		Normgepr. Stand. check - -		Ersatz für/Replacement for: -	
/		wieland		Type		Benennung/Title	
/		Elektrische Verbindungen		WT 16		DURCHGANGSKLEMME through terminal	
Index Datum / Blatt Date / Sheet		Änderung/Revision					

585160055001K_2_CADW3070_U0016728_2013-01-22T09:55:50 1.000