

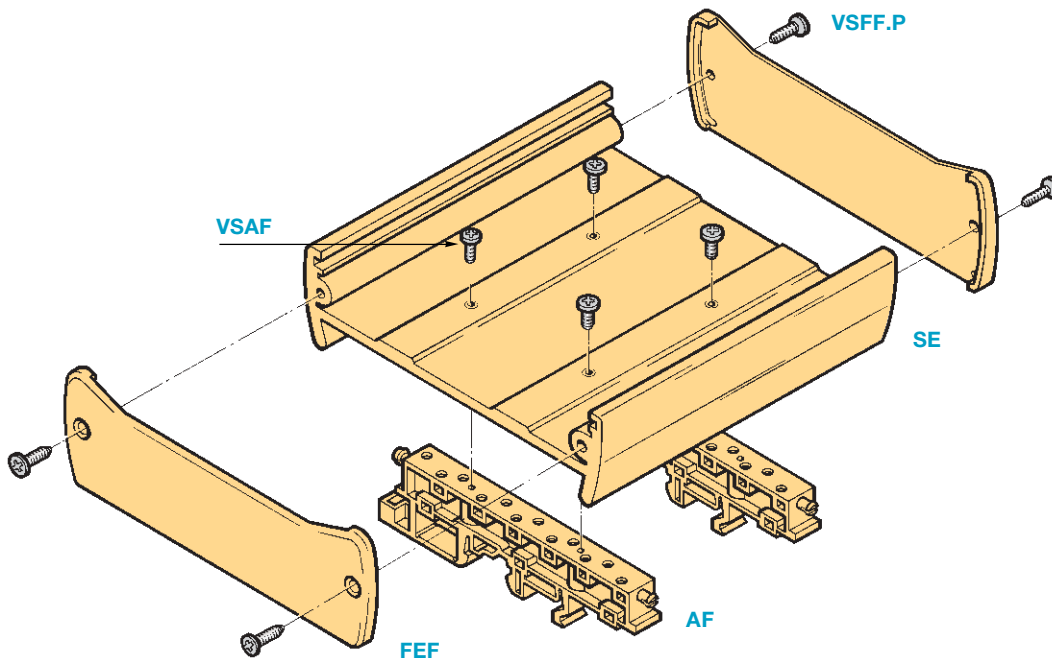
PRINTED CIRCUIT BOARD HOLDER

"Series 20 000"

Features

The extruded PVC series 20 000 holders allow:

- 2 PCB width: 71 mm or 100 mm
- PCB length: 60 mm to 1000 mm
- PCB thickness: 1,6 mm
- Assembly snaps onto DIN 1 or DIN 3 standard rails (EN 50035 and 50022)



Complete assembly includes:

- 1 body 71 or 100 mm
- 2 end plates
- 4 screws for end plates
- 2 feet for length 60 to 250 mm
- 3 feet for length 250 to 500 mm
- 4 feet for length 500 to 750 mm
- 5 feet for length 750 to 1000 mm
- 2 screws per foot

Actual PCB width	71 mm	2.795"	100 mm	3.937"	Std packaging
Body L = 1000 mm	SE 71	0103 868.06	SE 100	0103 885.10	1 m
End plate	FEF 71	0103 724.25	FEF 100	0103 687.21	10
Screws for end plate	VSFF.P	0178 100.13	VSFF.P1	0178 100.13	
	Pozidriv		Pozidriv		
Foot	AF 50	0103 323.23	AF 76	0103 324.24	10
Screw for foot	VSAF	0174 582.16	VSAF	0174 582.16	100

Note: drilling for screws VSAF are not done.

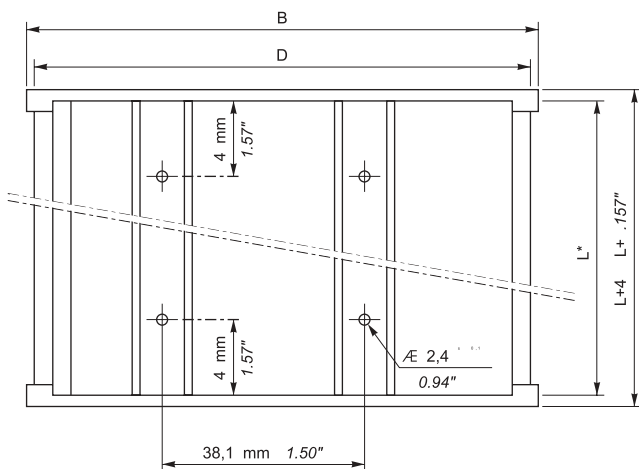
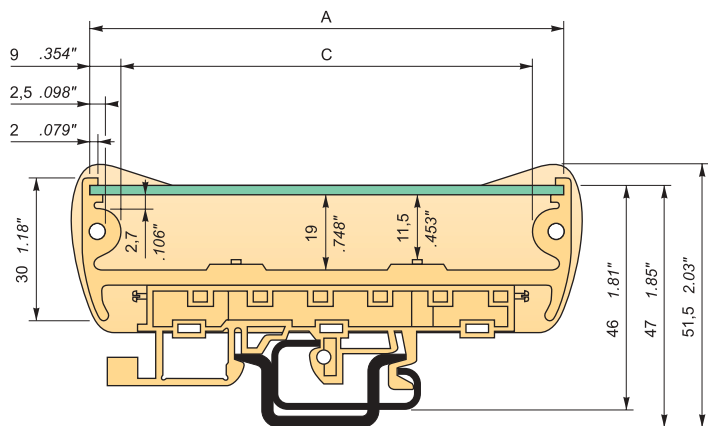
Material specification

Body: (delivered in 1000 mm length)
 PVC rigid extruded class M2 (orange)

End plate and Mounting foot:
 Molded polyamide UL 94 V2 (orange)

Dimensions

Holder

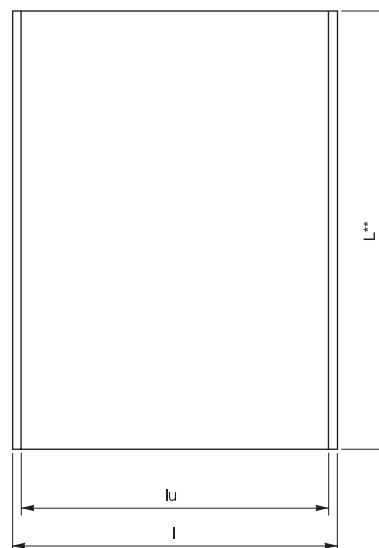


Drill from bottom in center of grooves.

*Rail length margin L: + 0,5 .020"
 + 0,2 .008"

	SE 71		SE 100	
	mm	inch.	mm	inch.
A	71	2.79"	100	3.94"
B	78	3.07"	107	4.21"
C	57,8	2.28"	86,5	2.95"
D	75	2.96"	104	4.09"

PCB



	SE 71		SE 100	
	mm	inch.	mm	inch.
l	71	2.79"	100	3.94"
lu (1)	66	2.60"	95	3.74"
lu (2)	57,8	2.28"	86,5	2.95"

(1): For component pins less than 2 mm.
 (2): For component pins longer than 2 mm.

** PCB length margin L: 0 .000"
 - 0,2 -.008"