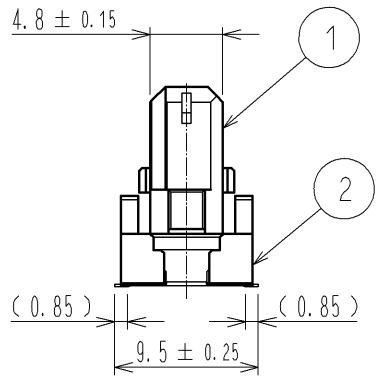
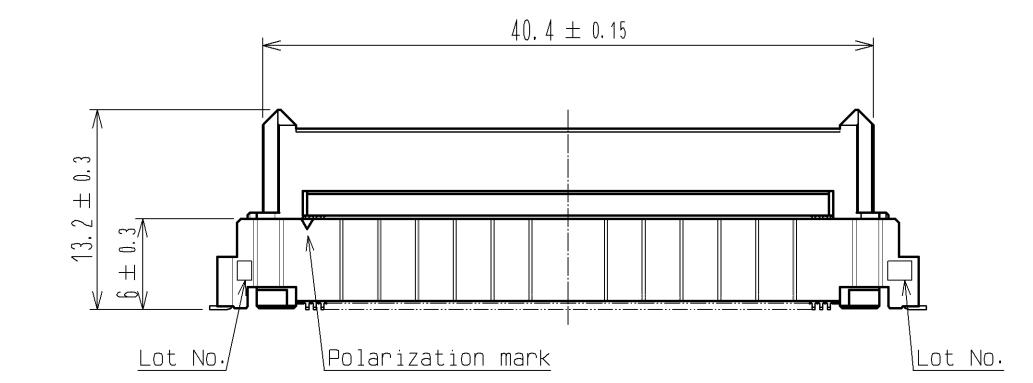
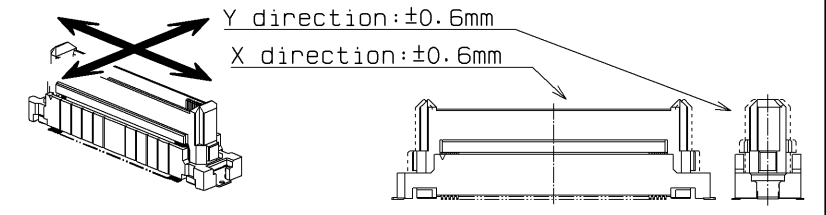
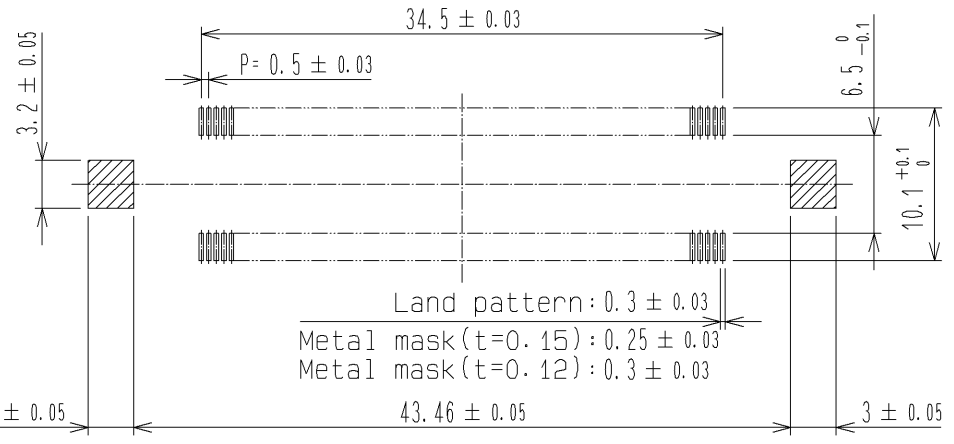
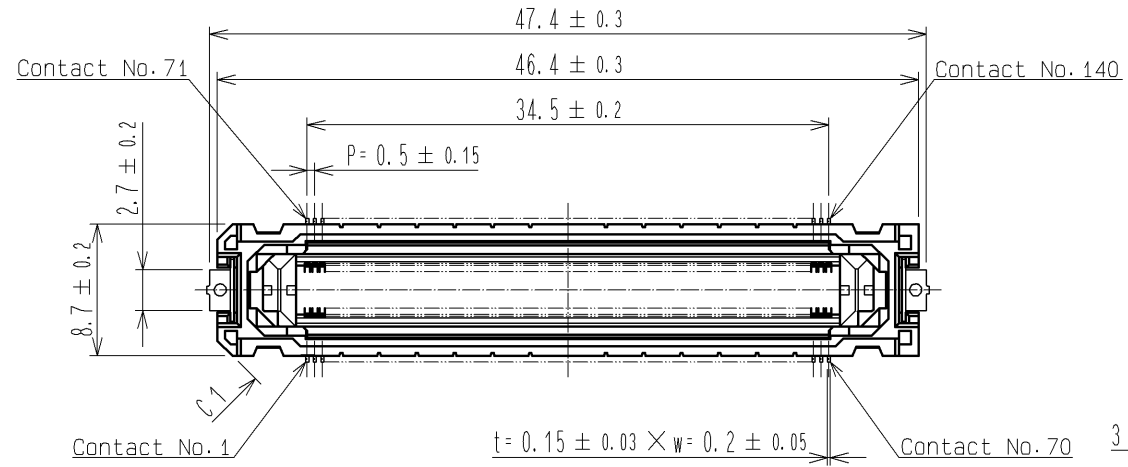
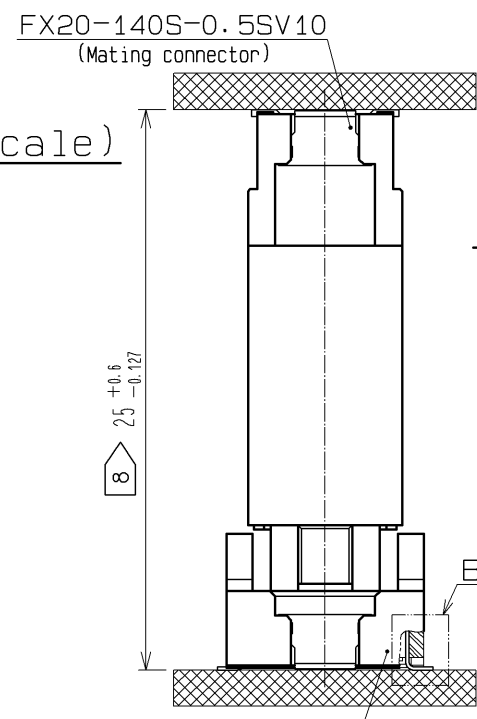
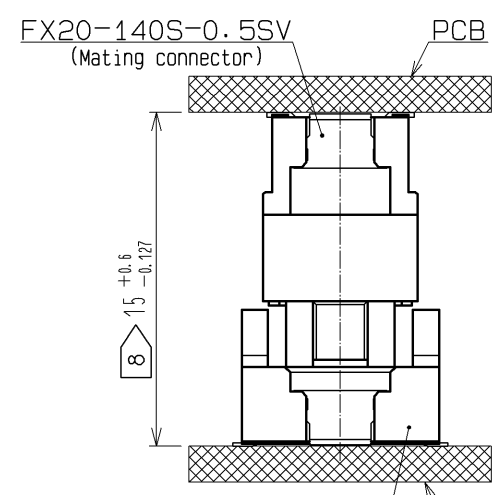


RECOMMENDED LAND PATTERN DIMENSION OF PCB

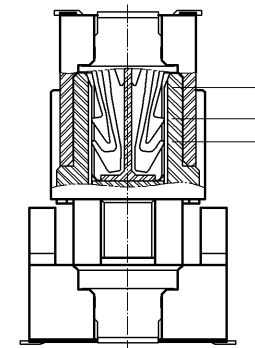
FLOATING RANGE



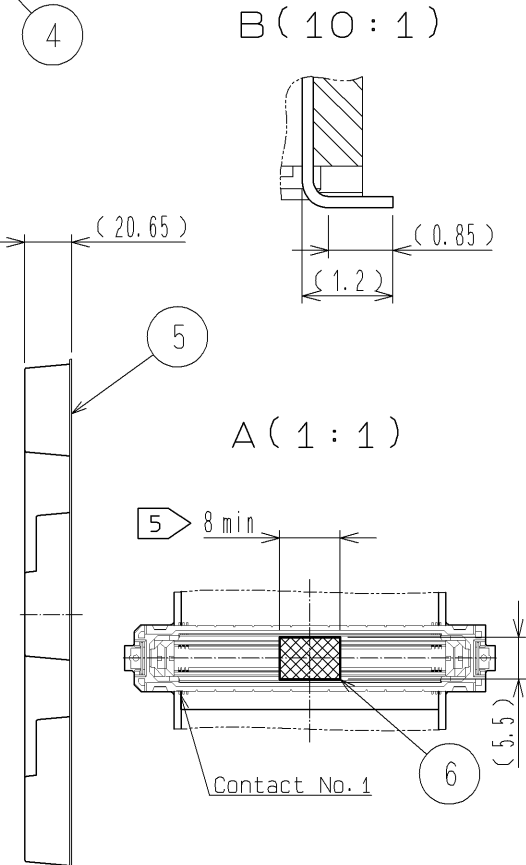
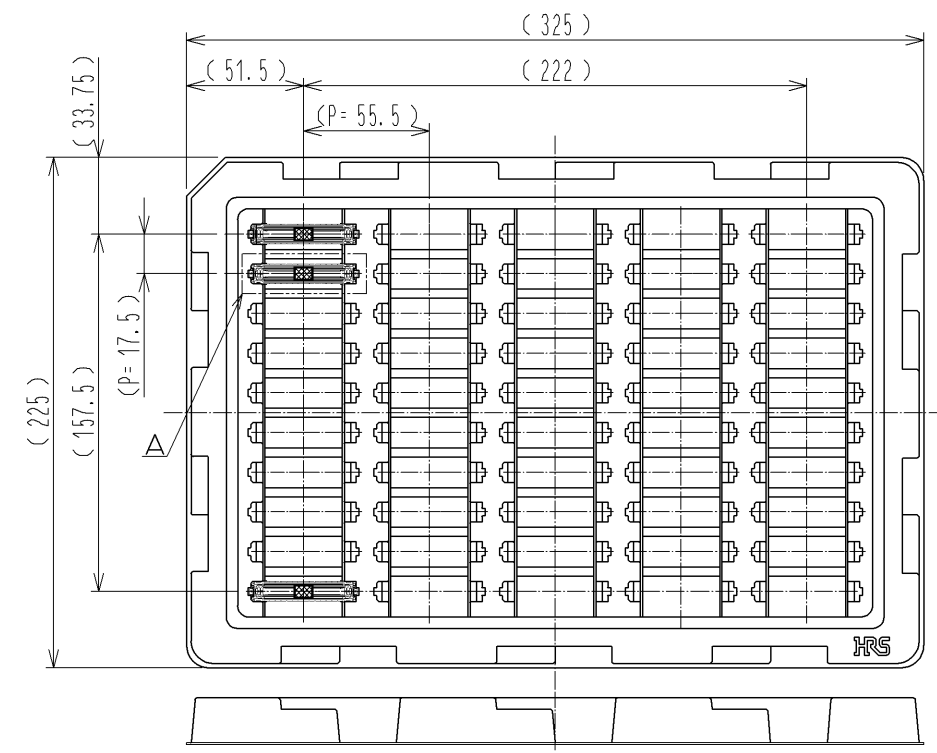
PCB DISTANCE (No scale)



CROSS SECTION OF MATING (No scale)



DRAWING FOR PACKING (No scale)



- 1 Lead CO-Planarity is 0.1mm MAX.
- 2 This is packaged in tray. (50pcs/tray)
- 3 Floating range of this connector is ±0.6mm MAX.
- 4 Blemish and hit mark can be occurred through out the manufacturing process which doesn't affect quality level.
- 5 It shows the vacuum pickup area. Remove the mylar tape before mating connectors.
- 6 Please note that excessive wrenching force could damage this connector. Please refer to the guideline for detailed regulations of the mating method.
- 7 The dimensions in parentheses are for references.
- 8 Please use the connectors within the specified PCB distance.

2	POLYAMIDE	BLACK	UL94V-0	6	POLYIMIDE	(TAPE FOR VACUUM PICKUP)
1	POLYAMIDE	BLACK	UL94V-0	5	POLYSTYRENE	(TRAY)
				4	BRASS	TIN-PLATING 1 μm
				3	COPPER ALLOY	CONTACT AREA: GOLD 0.1 μm LEAD AREA :GOLD 0.03 μm UNDER PLATING: NICKEL 1 μm
NO.	MATERIAL	FINISH	REMARKS	NO.	MATERIAL	FINISH . REMARKS

UNITS mm			SCALE 2 : 1		COUNT	DESCRIPTION OF REVISIONS	DESIGNED	CHECKED	DATE
HRS		HIROSE ELECTRIC CO., LTD.	APPROVED : HS. OKAWA	14.06.09	DRAWING NO.	EDC3-336324-01			
			CHECKED : KN. SHIBUYA	14.06.09	PART NO.	FX20-140P-0.5SV15(10)			
			DESIGNED : TS. OONO	14.06.09	CODE NO.	CL570-1006-4-10			
			DRAWN : TS. OONO	14.06.09					