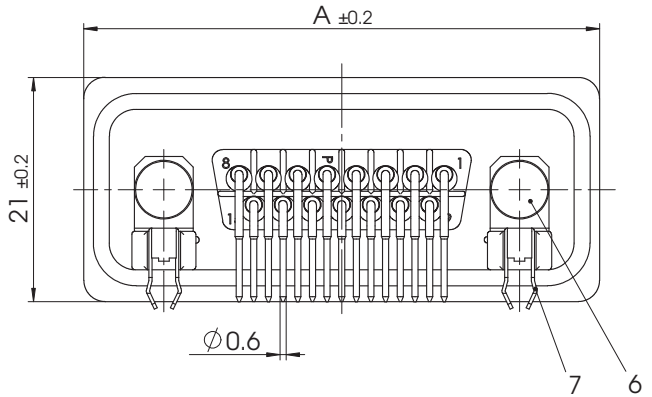
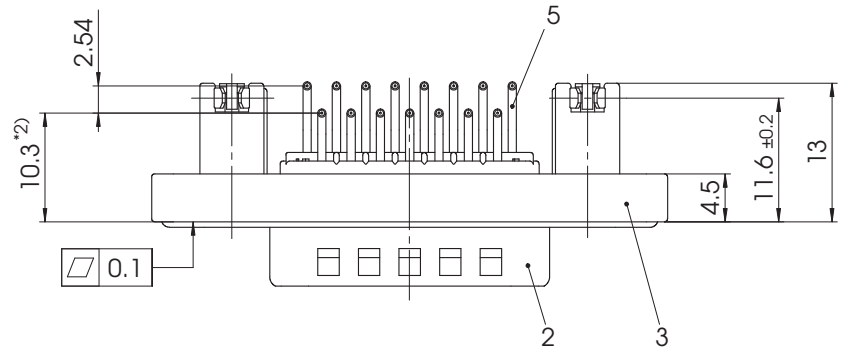
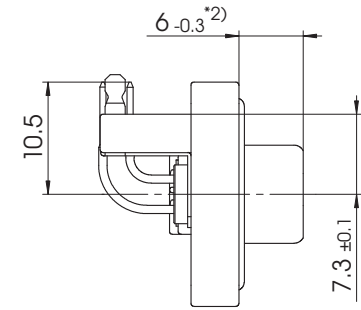
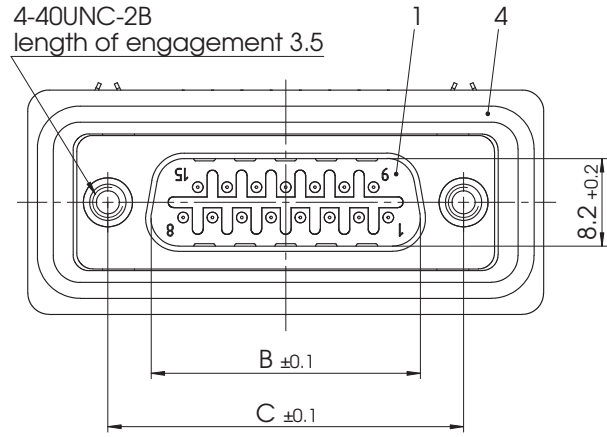


COMMENT:
 ALL RIGHTS ARE RESERVED BY US FOR THIS DRAWING. WITHOUT OUR PRIOR CONSENT,
 THIS DRAWING IS NOT TO BE REPRODUCED, COPIED, TRANSMITTED OR USED IN ANY MANNER,
 AND IT ALSO MAY NOT BE IMPROPERLY USED BY THE RECEIVER, OR A THIRD PARTY.



FWDRxx *1) P25A

e.g. FWDR15P25A

*1) xx No. of contacts 09, 15 or 25

xx	A mm	B mm	C mm	*øE mm	*øF mm	*G mm	*H mm	*J mm
09	40	16.9	25	ø1	ø3	6.3	5	2.54
15	48.3	25.2	33.3					
25	62	38.9	47.04					

*PCB hole patterns, øE, øF, G, H and J on supplement AM0024

*2) Dimension starts from front surface of shell (Part-No. 2)

max. torque are 40 Ncm
 D-Sub connector with watertight frame,
 Protection standard IP67, 100% checked
 according to DIN EN 60529 (compl. mounted)

7	2	Snap-in bracket	PCB 1.6mm / Bronze	tin plated
6	2	Clinch nut	WD 4-40 / Brass	tin plated
5	xx	Signal contact	P25 / Brass	AuroPur / 0.1-0.2µm Au
4	1	O-ring seal	Silicone / UL94V-0	red
3	1	Watertight frame	PBT	black
2	1	Shell	Brass	tin plated
1	1	Insulator	PBT (-25°C - +70°C)	red
No.	St.	Part	Type Description/Material	Surface plating/Colour/Class

		Measurement without tolerance occ. to ISO 2768-m SCALE 2:1		TITLE	
		NAME / DATE		Waterproof Connector System	
DRAWN		tanjana.schneider 10-07-2013			
CHECKED		Anke.Meyer-Richter 11-07-2013			
		fctgroup.com		DWG.NO.	
				FWDRxxP25A	
REV.		DATE		CH.-NO.	
		ORIGINAL: DIN A3-DRAWING AS A FILE		REPLACEMENT FOR:	
				REV. 1	
				PAGES 1	