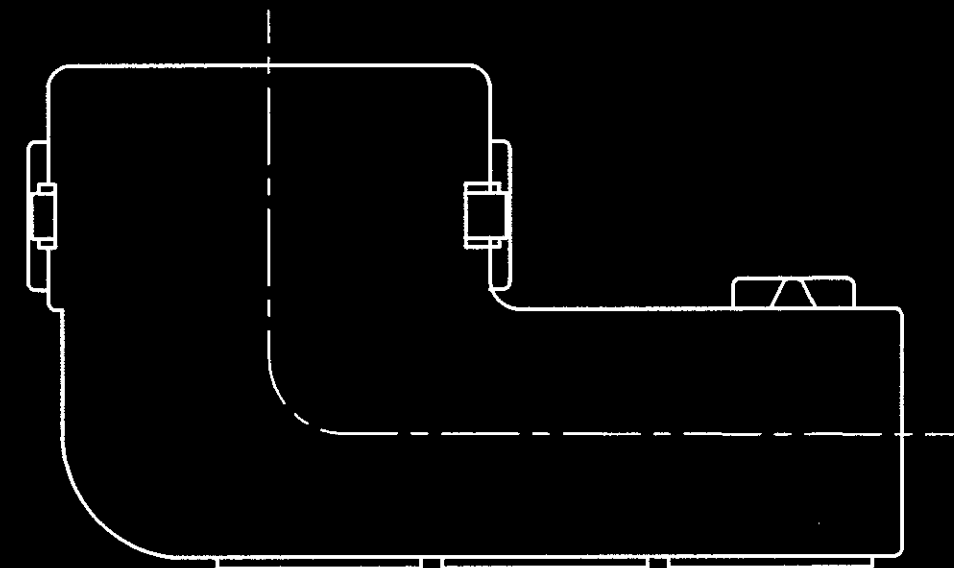
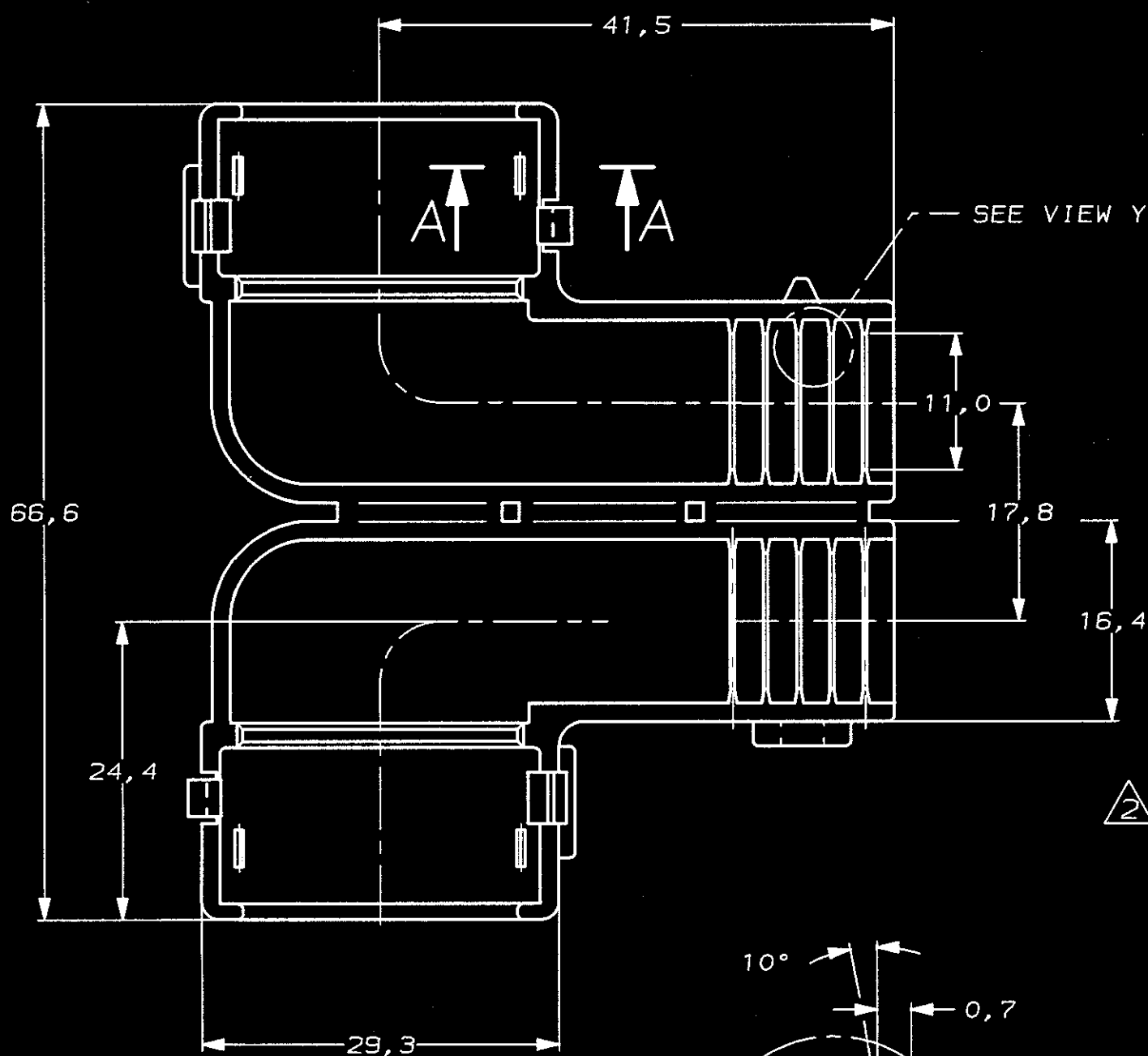


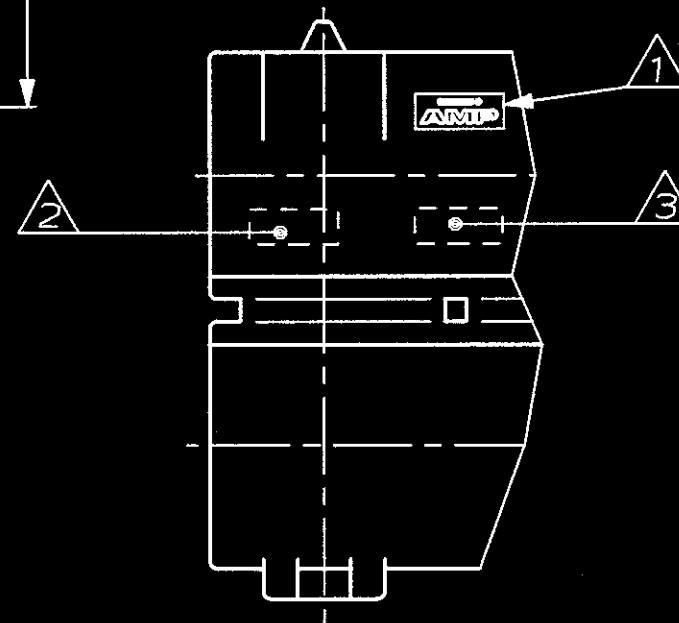
DO NOT SCALE  
DIMENSIONS IN mm

METRIC

THIRD ANGLE  
PROJECTION

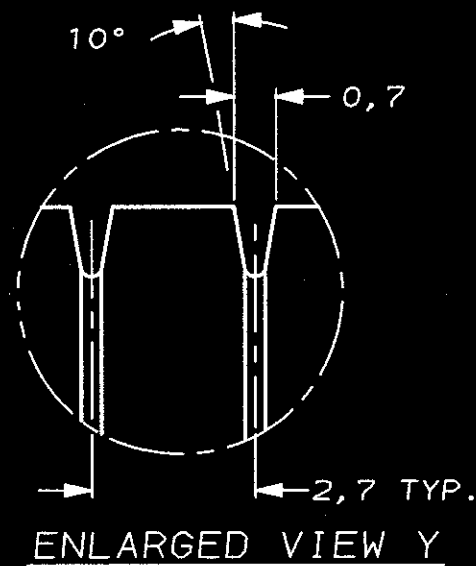


ADAPTER CLOSED



SECTION A-A

-1 AS SHOWN



ENLARGED VIEW Y

NOTES:

- ① AMP-TRADEMARK PER SPEC.
- ② AMP-IDENTIFICATION NUMBER ACC. DIN 1451 MITTLESCHR. HEIGHT 1,2
- ③ AMP-MOLD IDENTIFICATION NUMBER
- 4 MATERIAL: PBT  
COLOR: BLACK

DESIGN APPROVED THIS PRINT IS  
**PRELIMINARY**  
TO FIRST PIECE APPROVAL  
CONTACT PRODUCT ENGINEERING  
BEFORE USING THIS PRINT

LTR.	REVISION RECORD	DR.	CHK.	DATE					
B	EH-1312-95	D.K.	J.J.	02-NOV 95					
A	H-9765	LvdH	RotB	13 MAY '92					
0	H-8660	JvL	RotB	30-01-92					
DR.	J.v.LIEMPT.	CHK.	R.o.t.BERG.	APP.	L.v.SOEST.	DWG.No.	100130	REV.LTR.	SHEET
DATE:	30-01-92	DATE:	-	DATE:	-			B	1 OF 1

**CUSTOMER DRAWING** FOR REFERENCE ONLY  
WILL NOT BE UPDATED  
© COPYRIGHT 19- BY AMP HOLLAND B.V.  
ALL INTERNATIONAL RIGHTS RESERVED. AMP PRODUCTS MAY BE  
COVERED BY U.S. AND FOREIGN AND/OR PATENTS PENDING.  
THIS DRAWING IS UNPUBLISHED  
RELEASED FOR PUBLICATION ,19



AMP HOLLAND B.V.  
's-Hertogenbosch,  
The Netherlands.

ADAPTOR 90° FOR  
4 POS. HOUSING.