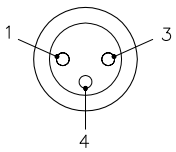
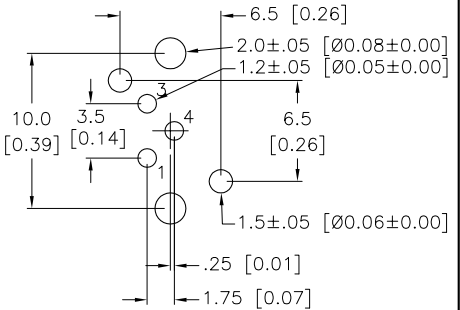


FEMALE END VIEW

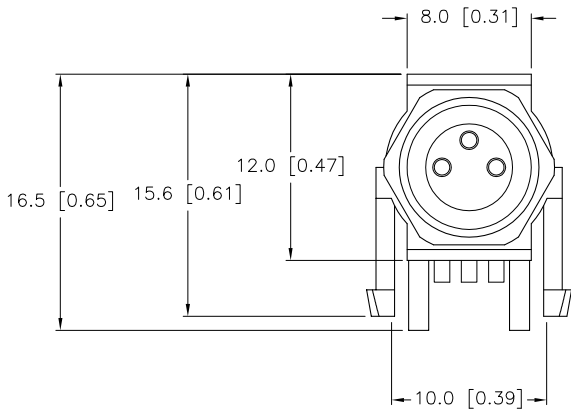
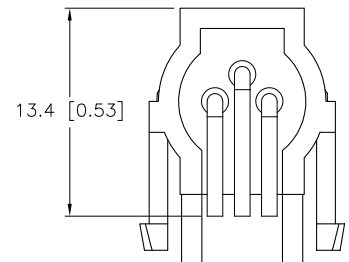
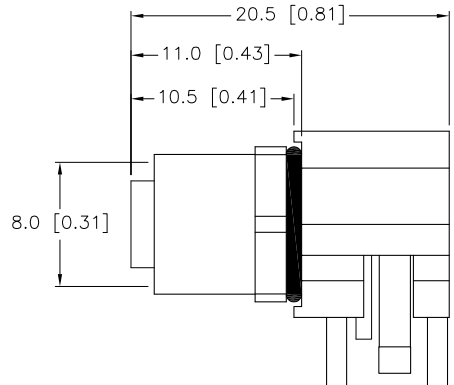
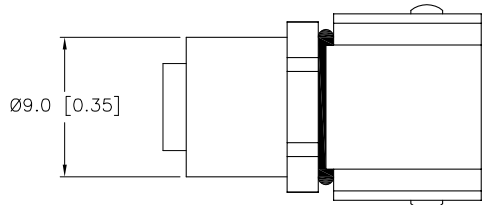


PCB LAYOUT



SPECIFICATIONS

CONTACT CARRIER MATERIAL/COLOR	NYLON/BLACK
CONTACT MATERIAL/PLATING	BRASS/GOLD
HOUSING AND NUT MATERIAL/PLATING	BRASS/NICKEL
RATED CURRENT [A]	4.0 A
RATED VOLTAGE [V]	60 V
TEMPERATURE RANGE	-25°C to +85°C (-13°F to +185°F)
PROTECTION CLASS	MEETS IEC IP67



SOURCE DRAWING - FOR REFERENCE ONLY

NOTES:

1. RECOMMENDED THICKNESS OF PCB 1.5mm.

RELATED DOCUMENTS	3RD ANGLE PROJECTION	THIS DRAWING IS PROPERTY OF TURCK INC. USE OF THIS DOCUMENT WITHOUT WRITTEN PERMISSION IS PROHIBITED.			<b>TURCK INC</b> High Technology Sensors and Automation Controls 3000 CAMPUS DRIVE MINNEAPOLIS, MN 55441 1-800-544-7769 (763) 553-7300 (763) 553-0708 fax turck.com
1.	2.				
MATERIAL	SEE SPECIFICATIONS	DRFT	RWC	DATE	11/03/08
FINISH	SEE SPECIFICATIONS	DSGN		SCALE	1=.5
		UNIT OF MEASUREMENT		IDENTIFICATION NO.	REV
		MILLIMETER [ INCH ]		U2-07210	B
		DO NOT SCALE THIS DRAWING		FILE: U2-07210	SHEET 1 OF 1

B	UPDATE PCB LAYOUT, SEE ECO	RWC	12/29/08	24234
REV	DESCRIPTION	BY	DATE	ECO NO.