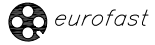
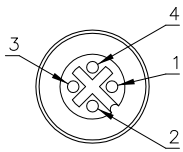
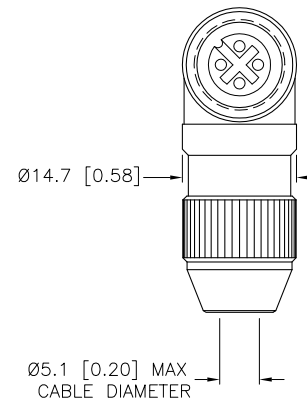
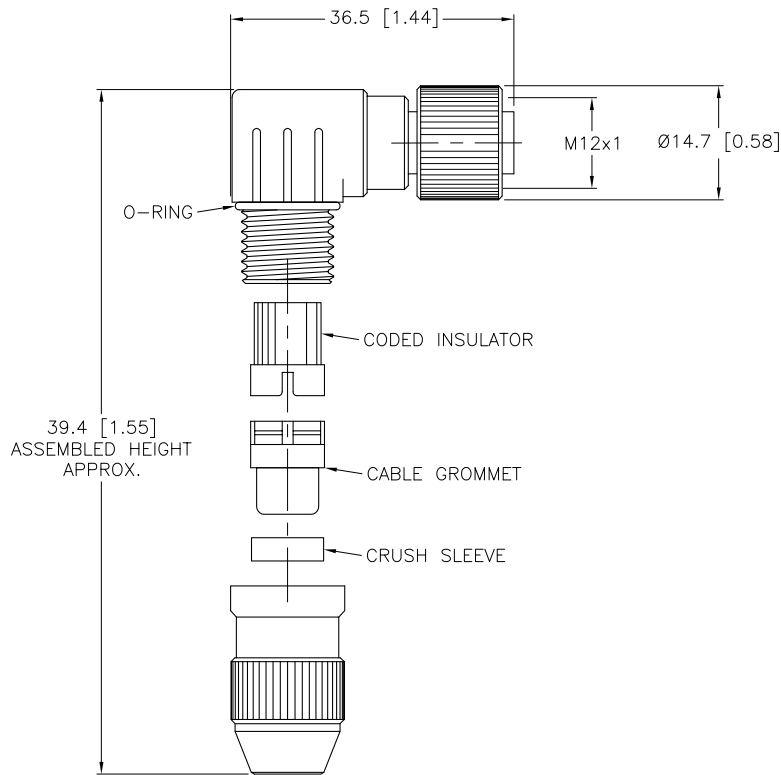


FEMALE END VIEW



SPECIFICATIONS

| | |
|-------------------------------|----------------------------------|
| CONTACT MATERIAL/PLATING | GOLD-PLATED BRASS |
| COUPLING NUT MATERIAL/PLATING | NICKEL-PLATED BRASS |
| RATED CURRENT [A] | 4.0 A |
| RATED VOLTAGE [V] | 32 V |
| MAXIMUM WIRE SIZE | 22 AWG |
| CABLE GRIP RANGE | 4-5.1mm |
| TEMPERATURE RATING | -25°C to +85°C (-13°F to +185°F) |
| PROTECTION CLASS | IEC IP67 |
| SPACINGS | to VDE 0110 GROUP C |
| WIRE TERMINATION | IDC |



SOURCE DRAWING - FOR REFERENCE ONLY

| | | | | | | | |
|-------------------|--|------------------------------------|---|---|---------------|--|--------------|
| RELATED DOCUMENTS | | 3RD ANGLE PROJECTION | | THIS DRAWING IS PROPERTY OF TURCK INC. USE OF THIS DOCUMENT WITHOUT WRITTEN PERMISSION IS PROHIBITED. | | TURCK INC High Technology Sensors and Automation Controls 3000 CAMPUS DRIVE MINNEAPOLIS, MN 55441 1-800-544-7769 (763) 553-7300 (763) 553-0708 fax turck.com | |
| 1. | | | ALL DIMENSIONS DISPLAYED ON THIS DRAWING ARE FOR REFERENCE ONLY | DRFT | DATE 06/15/01 | DESCRIPTION B 8246-0 | |
| 2. | | | | JBJ | SCALE 1=1.0 | | |
| 3. | | CONTACT TURCK FOR MORE INFORMATION | | UNIT OF MEASUREMENT | | IDENTIFICATION NO. U6576-1 | REV A |
| 4. | | | | MILLIMETER [INCH] | | | |
| MATERIAL | | SEE SPECIFICATIONS | | DO NOT SCALE THIS DRAWING | | FILE: U6576-1 | SHEET 1 OF 1 |
| FINISH | | SEE SPECIFICATIONS | | | | | |

| | | | | |
|-----|-----------------|-----|----------|---------|
| A | DRAWING RELEASE | BJJ | 03/26/04 | |
| REV | DESCRIPTION | BY | DATE | ECO NO. |