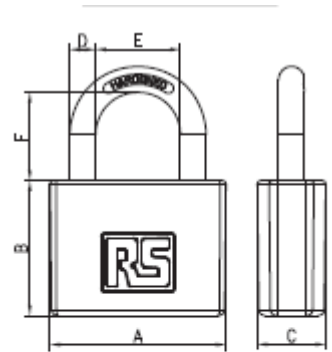


Datasheet

Brass Key Padlock, 6mm Shackle

RS Stock number [7816013](#)

Dimensions:



Item	Lock Body Dimension(mm)		
	A	B	C
7816013	43	33	17

Shackle Dimension(mm)		
D	E	F
6	21	22

Features

- Solid brass lock body and lock cylinder with great corrosion resistance
- High precision keys produced by professional equipment, little interchange
- Pin tumbler structure for great pick resistance test
- Different sizes of lock body and shackle for different choices

Specification

- Body Width 43mm
- Colour Red
- Lock Type Key
- Material Brass
- Quantity Per Package 1Each
- Shackle Diameter 6mm
- Shackle Length 22mm
- Shackle Type Open
- Weather Proof Yes