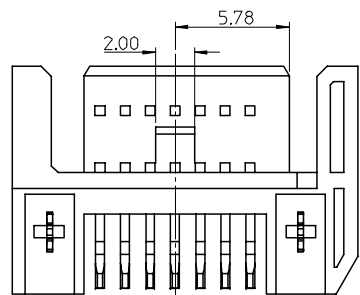
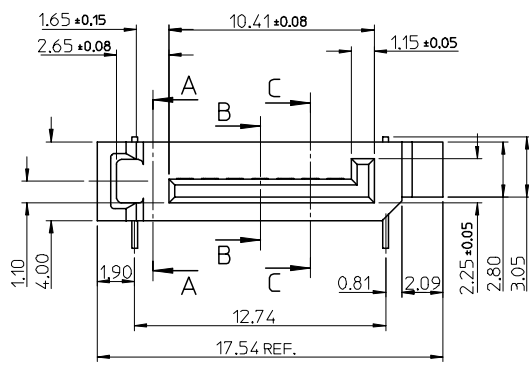
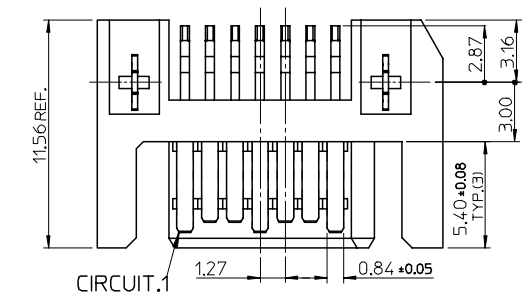
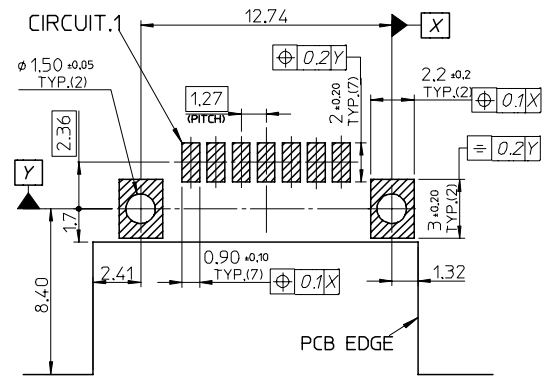
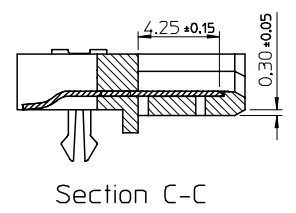
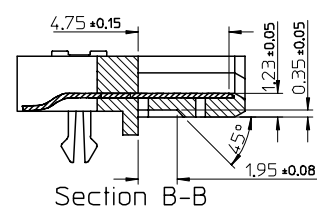
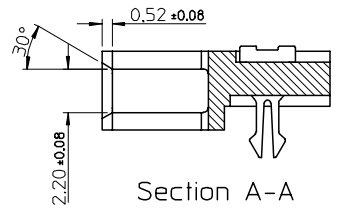
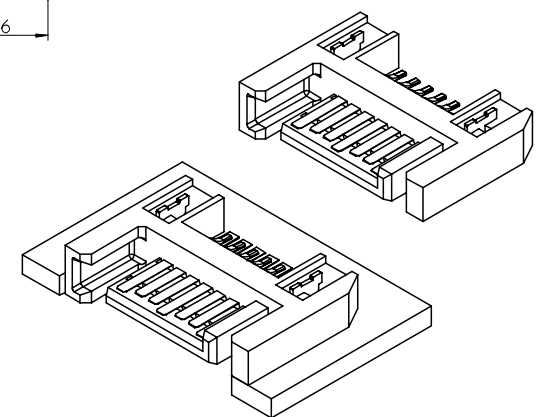
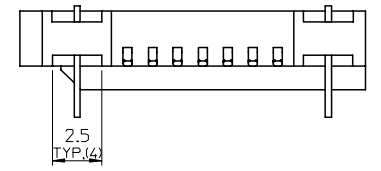
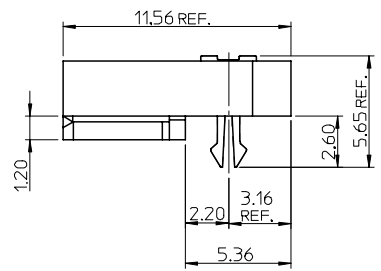


P/N	CONTACT AREA PLATING	REMARK
67490-0220	GOLD FLASH	
67490-0221	0.76 MICRONS GOLD PLATED	TIN-LEAD
67490-0225	0.38 MICRONS GOLD PLATED	
67490-3220	GOLD FLASH	
67490-3221	0.76 MICRONS GOLD PLATED	PURE TIN
67490-3225	0.38 MICRONS GOLD PLATED	



- NOTES:
- MATERIAL:  
HOUSING: HIGH TEMPERATURE THERMAL PLASTIC, GLASS FILLED, UL94V-0, COLOR : BLACK  
TERMINAL/FORKLOCK: COPPER ALLOY  
MYLAR: ADHENSIVE MYLAR 4.5MMX15.5MM
  - TERMINAL PLATING:  
CONTACT AREA: GOLD PLATED  
SOLDERING TAIL: 1.27 MICRONS MINIMUM TIN-LEAD OR TIN PLATED UNDER PLATE; NICKEL 1.27 MICRONS MINIMUM NICKEL PLATED
  - FORKLOCK PLATING :  
1.27 MICRONS MINIMUM TIN-LEAD OR TIN PLATED OVERALL 1.27 MICRONS MINIMUM NICKEL UNDER-PLATED
  - PACKAGING SPECIFICATION REFER TO PK-67490-001
  - PRODUCT SPECIFICATION REFER TO PS-67490-001
  - MATING PART: 67538, 67489



EC NO: SH2005-0091 DRAWN: GRMA 2004/10/13 CHKD: 2004/10/14 APPR: YTYAP 2004/10/14	QUALITY SYMBOLS ▽ = 0 ∇ = 0	GENERAL TOLERANCES (UNLESS SPECIFIED)	SCALE 4:1	DESIGN UNITS METRIC	THIRD ANGLE PROJECTION	REVISE ON CAD ONLY																
		<table border="1"> <thead> <tr> <th></th> <th>MM</th> <th>INCH</th> </tr> </thead> <tbody> <tr> <td>4 PLACES</td> <td>± ---</td> <td>± ---</td> </tr> <tr> <td>3 PLACES</td> <td>± ---</td> <td>± ---</td> </tr> <tr> <td>2 PLACES</td> <td>± 0.15</td> <td>± ---</td> </tr> <tr> <td>1 PLACE</td> <td>± 0.25</td> <td>± ---</td> </tr> <tr> <td colspan="3">ANGULAR ± 3 °</td> </tr> </tbody> </table>		MM	INCH	4 PLACES	± ---	± ---	3 PLACES	± ---	± ---	2 PLACES	± 0.15	± ---	1 PLACE	± 0.25	± ---	ANGULAR ± 3 °			DIMENSION STYLE MM ONLY	TITLE
	MM	INCH																				
4 PLACES	± ---	± ---																				
3 PLACES	± ---	± ---																				
2 PLACES	± 0.15	± ---																				
1 PLACE	± 0.25	± ---																				
ANGULAR ± 3 °																						
REV DESCRIPTION	DRAFT WHERE APPLICABLE MUST REMAIN WITHIN DIMENSIONS	DRAWN BY RICHARD	DATE '01/05/28	MOLEX INCORPORATED																		
		CHECKED BY VINCENT	DATE '01/05/28	MATERIAL NO. SEE TABLE	DOCUMENT NO. SD-67490-001	SHEET NO. 1 OF 1																
		APPROVED BY ERICK	DATE '01/05/28	THIS DRAWING CONTAINS INFORMATION THAT IS PROPRIETARY TO MOLEX INCORPORATED AND SHOULD NOT BE USED WITHOUT WRITTEN PERMISSION																		