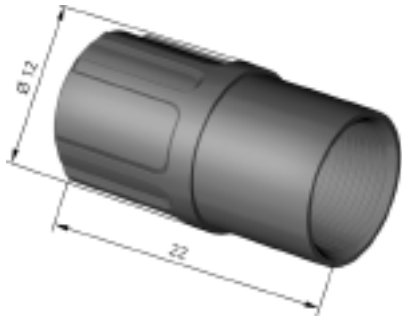
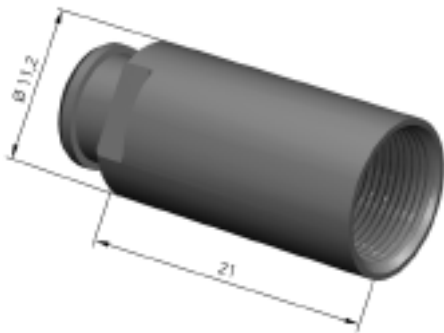


Standard Back Nut



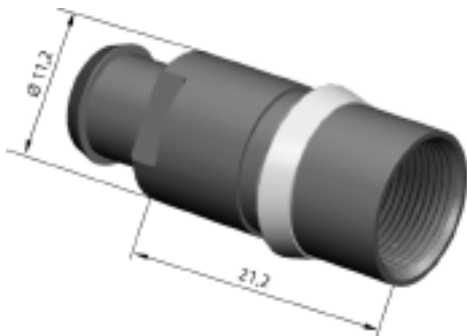
Material	Colour	Part-No.	similar RAL-design
PSU	black	KM1 020 111 934 008	000 25 00
	grey	KM1 020 111 934 007	000 55 00
	white	KM1 020 111 934 003	000 90 00
	red	KM1 020 111 934 002	030 40 40
	green	KM1 020 111 934 005	170 60 45
	yellow	KM1 020 111 934 004	095 80 60
	blue	KM1 020 111 934 006	270 40 30
PEI	black	KM1 020 111 933 008	000 25 00

Back Nut for Cable Bend Relief



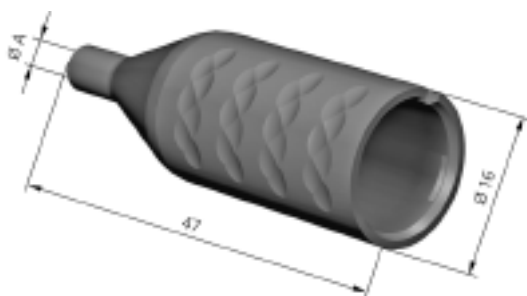
Material Bend Relief	Material Back Nut	Colour	Part-No.	similar RAL-design
Silicon	PSU	black	KM1 020 113 934 008	000 25 00
		grey	KM1 020 113 934 007	000 55 00
		white	KM1 020 113 934 003	000 90 00
	PEI	black	KM1 020 113 933 008	000 25 00

Back Nut for Cable Bend Relief for Plug IP 64



Material Bend Relief	Material Back Nut	Colour	Part-No.	similar RAL-design
Silicon	PSU	black	KM1 026 113 934 108	000 25 00
		grey	KM1 026 113 934 107	000 55 00
		white	KM1 026 113 934 103	000 90 00
	PEI	black	KM1 026 113 933 108	000 25 00

Protective Cover for Receptacle style 2 (Disposable) and plug style A51M (Disposable)



Material	Colour	Part-No.	similar RAL-design
PSU	black	KM1 013 50 . 934 008	000 25 00
	grey	KM1 013 50 . 934 007	000 55 00
	white	KM1 013 50 . 934 003	000 90 00
	red	KM1 013 50 . 934 002	030 40 40
	green	KM1 013 50 . 934 005	170 60 45
	yellow	KM1 013 50 . 934 004	095 80 60
	blue	KM1 013 50 . 934 006	270 40 30
PEI	black	KM1 013 50 . 933 008	000 25 00

\uparrow
 $\varnothing A =$ 500 2,5 mm
 501 2,7 mm
 502 2,8 mm