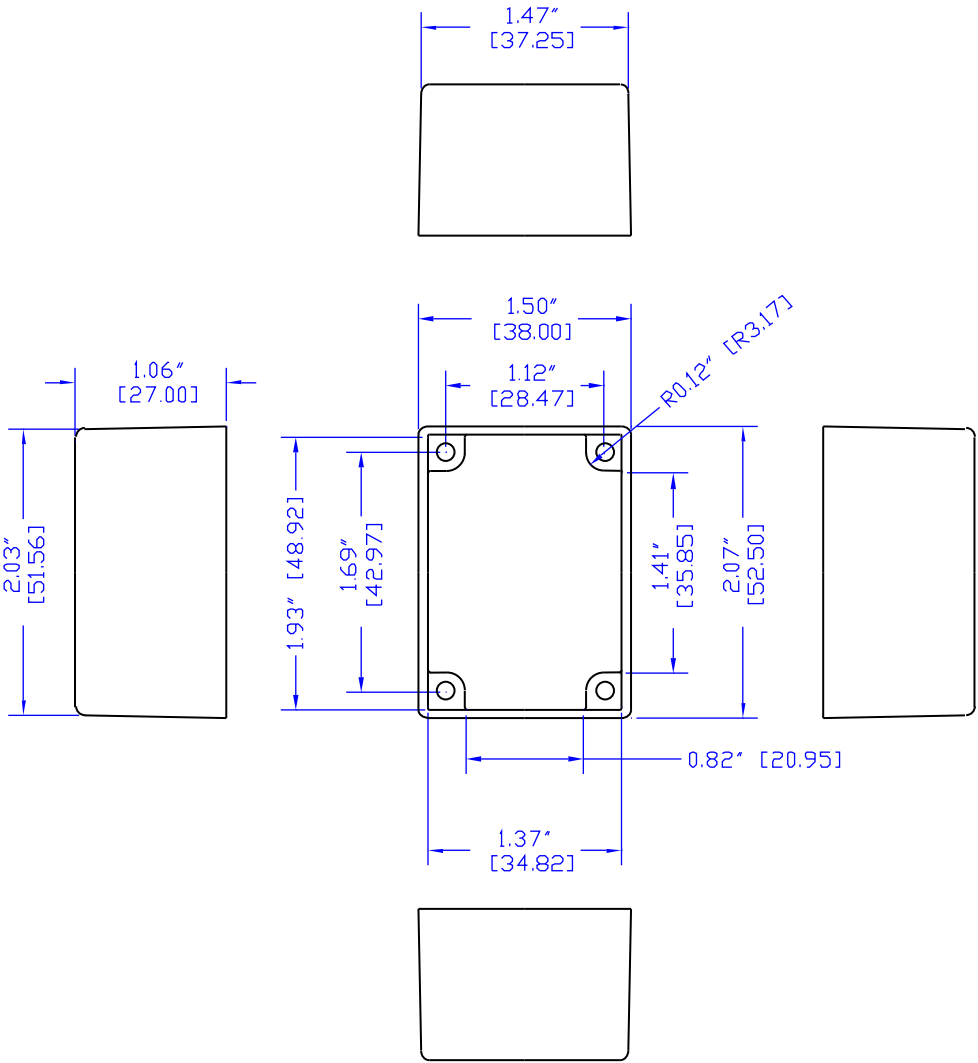
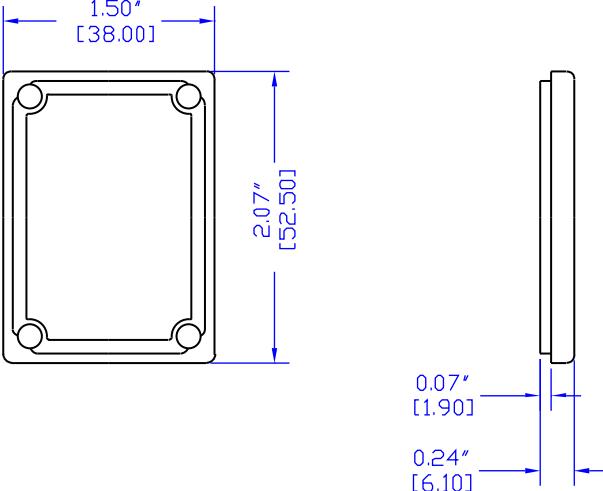


**NOTES**

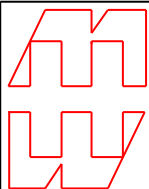
MATERIAL: DIECAST ALUMINUM ALLOY  
 4 - (6-32) PHILLIPS SCREWS  
 WATERPROOF VERSION IS AVAILABLE  
 FINISH: NONE (NO SUFFIX), BLACK (BK), GRAY (GY)  
 POLYESTER POWDER COAT, TEXTURED  
 MODIFICATIONS AND SCREENING AVAILABLE



VIEW OF BOX (LID REMOVED)



VIEW INSIDE LID

	<p><b>HAMMOND MANUFACTURING</b></p>	
	<p>CANADA (519) 886 7171 FAX (519) 886 8311                  U.S.A. (716) 631 5700 FAX (716) 631 1156                  WEB: WWW.HAMMONDMFG.COM</p>	<p>DESCRIPTION  <b>ALUMINUM CAST ENCLOSURE</b></p>
<p>UNLESS OTHERWISE SPECIFIED DIMENSIONS ARE IN INCHES</p>	<p>PART NUMBER  <b>1590H</b></p>	<p>DATE 1/31/00                  PAGE 1 OF 1</p>
<p>.X +/- .1                  .XX +/- .06                  .XXX +/- .02                  .XXXX +/- .005                  HOLES +/- .005                  ANGLES +/- .5 DEG.</p>		