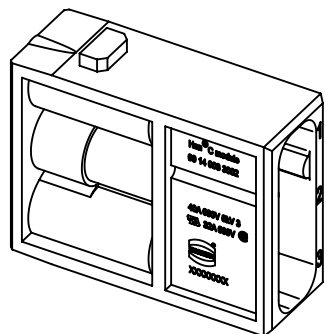
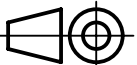



stripping length 10 mm<sup>2</sup> (AWG 8) = 12 mm  
 outer diameter of wire up to 7.8 mm



 All Dimensions in mm Original Size DIN A4	Scale	Free size tol.		Ref.	
	1:1			Sub.	
 All rights reserved Department EL PD - DE	Created by	Inspected by	Standardisation	Date	State
	HOLLERT	SCHNIEDER	TIEMANNA	2014-10-27	Final Release
HARTING Electric GmbH & Co. KG D-32339 Espelkamp	Title			Doc-Key / ECM-Nr.	
	Han C module, crimp male, for 7.8mm			100086336/UGD/014/B 500000081124	
Type		Number		Rev.	Page
TB		09 14 003 3002		B	1/1