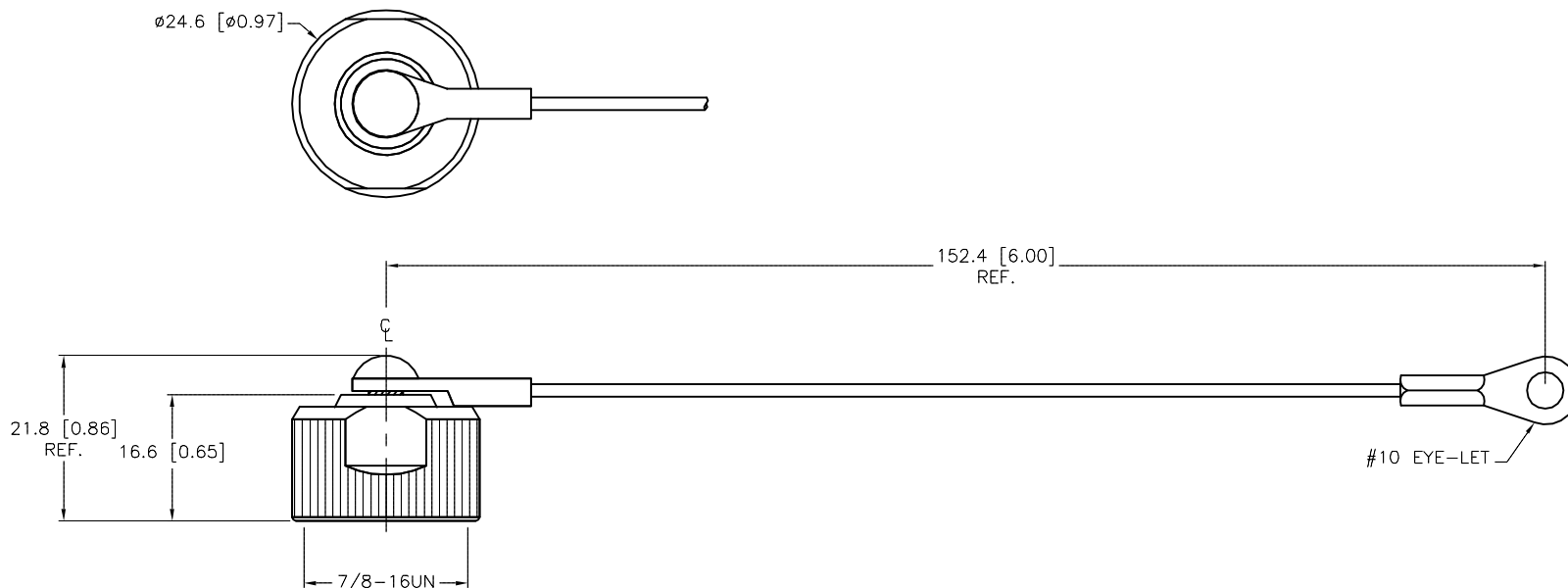


SPECIFICATIONS

CAP MATERIAL/FINISH	NICKEL-PLATED BRASS
GASKET MATERIAL	NITRILE (BUNA-N)
CABLE MATERIAL	STAINLESS STEEL/NYLON COATED



SOURCE DRAWING - FOR REFERENCE ONLY

RELATED DOCUMENTS		3RD ANGLE PROJECTION	THIS DRAWING IS CONFIDENTIAL AND THE PROPERTY OF TURCK INC. USE OF THIS DOCUMENT WITHOUT WRITTEN PERMISSION IS PROHIBITED.		TURCK INC High Technology Sensors and Automation Controls 3000 CAMPUS DRIVE MINNEAPOLIS, MN 55441 1-800-544-7769 (763) 553-7300 (763) 553-0708 fax turck.com	
1.			DRFT	JB	DATE	10/23/02
2.			APVD		SCALE	1 = 1.0
3.		ALL DIMENSIONS DISPLAYED ON THIS DRAWING ARE FOR REFERENCE ONLY CONTACT TURCK FOR MORE INFORMATION	UNIT OF MEASUREMENT		DESCRIPTION	
4.			MILLIMETER [INCH]		RKF-CC	
MATERIAL		SEE SPECIFICATIONS		IDENTIFICATION NO.		REV
FINISH		SEE SPECIFICATIONS		U0899-34		D
REV		DESCRIPTION		DO NOT SCALE THIS DRAWING		FILE: U0899-34
D	UPDATE LANYARD ORIENTATION	KMY	08/19/14	46768	SHEET 1 OF 1	
BY	DATE	ECO NO.				