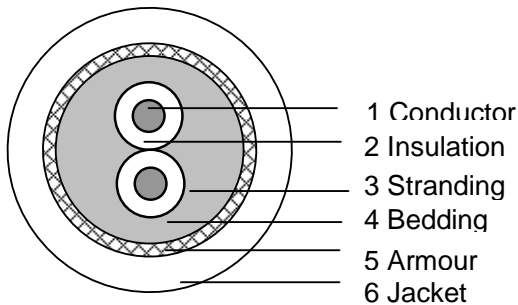


**APPLICATION**

Triple protected highly flexible PVC insulated and sheathed power cable for exceptional mechanical and electrical protection, generally in accordance with VDE0250

**CONSTRUCTION**



<b>1. Conductor</b>	Material Dimensions	Stranded bare copper 30x0.25 mm (1.50 mm <sup>2</sup> )
<b>2. Insulation</b>	Material Diameter	PVC 2.80 ± 0.05 mm
<b>3. Stranding</b>	Lay up Colours	2 cores stranded Blue, brown
<b>4. Bedding</b>	Material Diameter Nominal wall	PVC 6.50 ± 0.20 mm 0.45 mm
<b>5. Armour</b>	Material Diameter Coverage	Galvanized steel wire 7.58 64 %
<b>5. Jacket</b>	Material Diameter Nominal wall	PVC 9.58 ± 0.20 mm 1.00 mm

**CONTROLFLEX SY LEADFREE**  
**2\*1.50 mm<sup>2</sup> blk.****REQUIREMENTS AND TEST METHODS****Electrical:**

Voltage rating conductor to earth	300 V RMS
Voltage rating conductor to conductor	500 V RMS
Maximum resistance conductor @ 20°C	13.3 Ω/km
Maximum continuous current per conductor @ 25°C	1 x 16 A

**Mechanical and physical:**

Temperature range processing	-5 to +70 °C
Temperature range operating (moving installation)	-5 to +70 °C
Temperature range operating (fixed installation)	-30 to +70 °C
Temperature range storage	-30 to +70 °C
Nominal weight per 100m	13.1 kg
Maximum pulling tension	210 N
Minimum bending radius	10 x D



Belden CDT believes this product to be in compliance with the environmental regulations EU RoHS (Directive 2002/95/EC, 27 January 2003); this is valid for all material produced after the RoHS compliant date for this product.