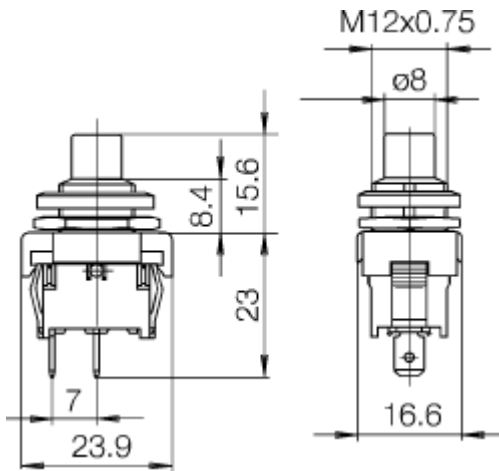


Product image / Drawings



<b>Product number</b>	<b>1841.1101</b>	
Product family	Pushbutton switches	
Actuation type	direct	
Weight	8.900 g	
ROHS conform	yes	
Switching function	ON / OFF switch (SPST)	
Material fixed contact	Cu silver-plated	
Number of poles	1 - pole	
connections	Quick-connect terminal, 4.8 x 0.8	
Mechanical life endurance	10E4	
Rating IEC	6 (4) A 250 V AC 5E4	
Rating North America	6 A 125 V AC 1/4 HP 6 A 250 V AC 1/2 HP	
Contact resistance (new condition)	< 100 (1 A 12 V DC) mOhm	
Insulation resistance (new condition)	> 100 (500 V DC) MOhm	
Voltage strength at 250 V	function insulation / basic insulation	1 500 V
	reinforced insulation	3 000 V
	small contact distance	500 V
Proof tracking	250 PTI	
Insulation spacing	acc. to EN 61058 for reinforced or double insulation	
Protection type	Connection	IP 40
	Actuator	IP 40
Temperatures	Connection side min.	-20 °C
	Connection side max.	100 °C
	Actuation side min.	-20 °C
	Actuation side max.	55 °C
	Storage temperature min.	-40 °C
	Storage temperature max.	80 °C
Flammability	UL 94 V-2	
Glow wire test temperature	850 °C	
Actuators and additional actuators	actuator: PA, black	
Housing description	housing: PA, black	
	bracket: PA glass fiber-reinforced, black	
	threaded socket: PA glass fiber-reinforced, black, with round nut of nickel-plated CuZn enclosed loosely, with hexagonal nuts of nickel-plated CuZn	
Connection surface	bearing connection	silver plated
	external connection	silver plated
Contact material	Ag	
Contact distance	≥ 3 mm	
Rating Code UL	R 30	
Contact type	lifting contact	
Plug force of the terminals	≤ 80 N	
Approval marks	CSA / ENEC 05 / UL	
Suitable for appliances of protection class	II	
Additional labeling	site, year, week of manuf. acc. to DIN EN 60062	
Type of fastening	central fastening M12 x 0.75	
Stock version	●	