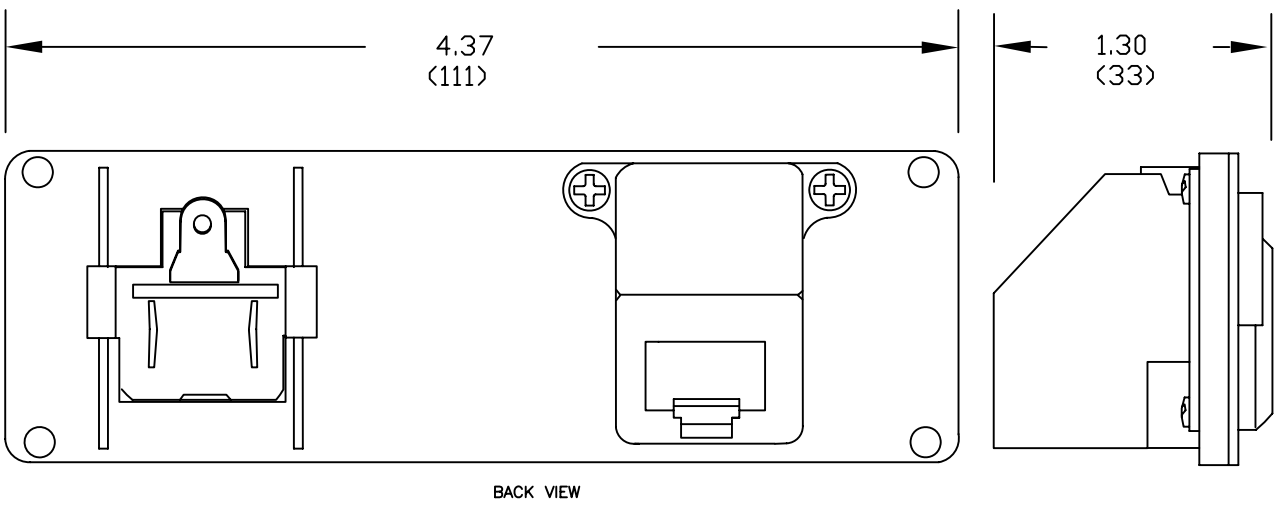
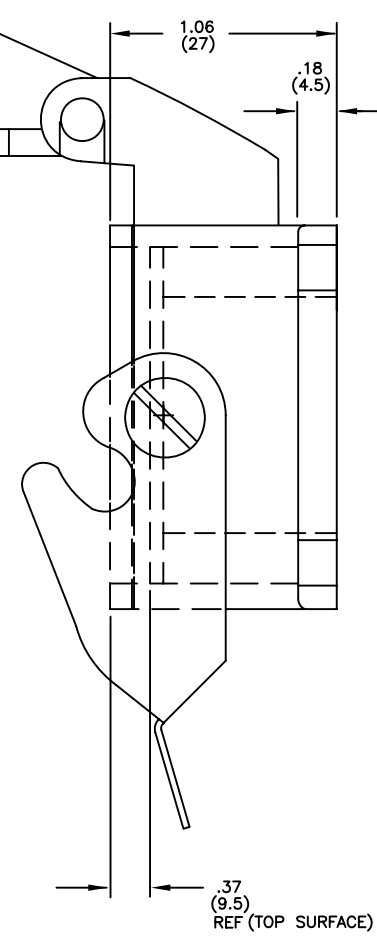
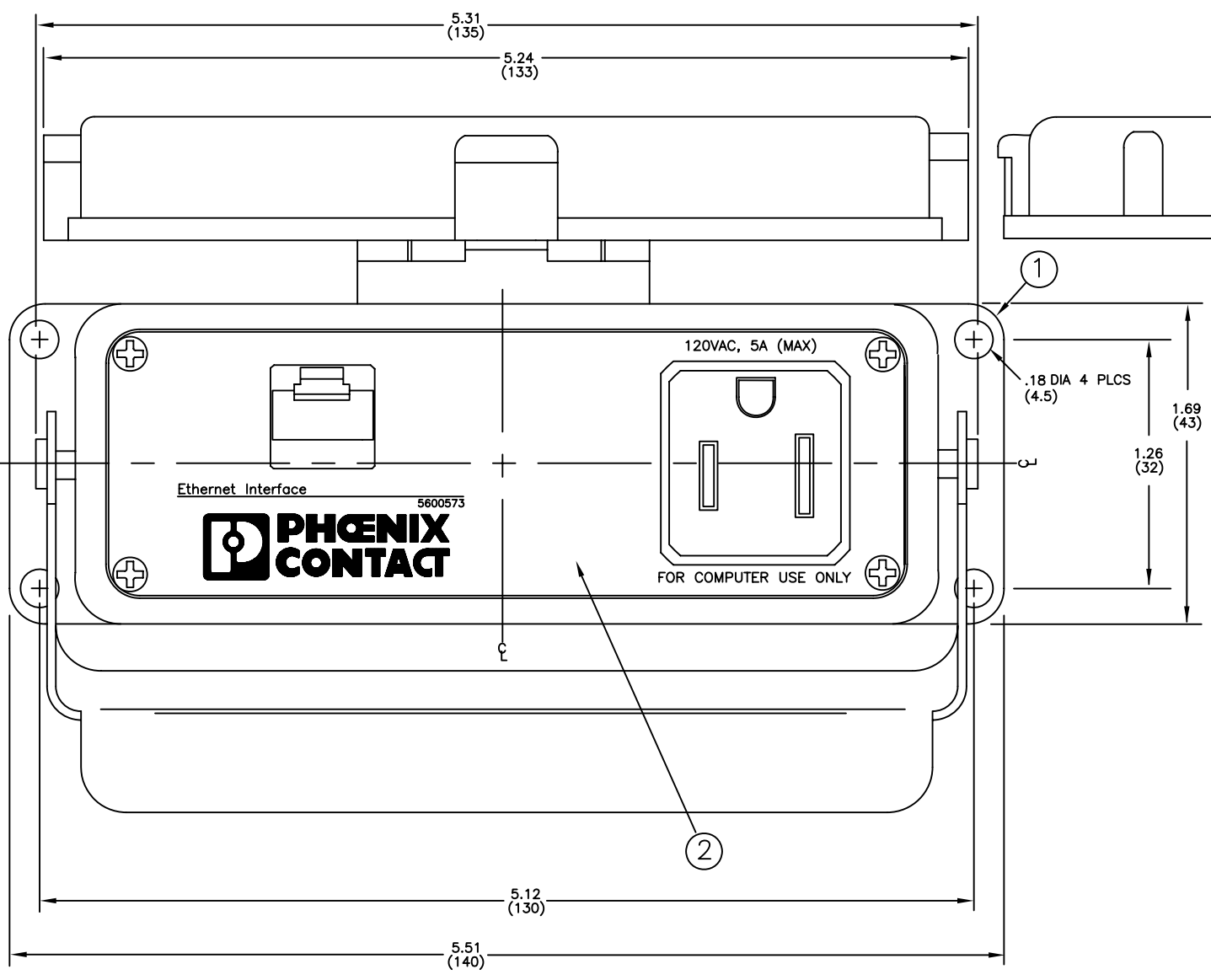





REVISIONS

REV.	DESCRIPTION	DATE	APPROVED
A	ADDED ITEM 3,NOTE 2 EC1002	6-4-99	NT/JJG
B	DELETED P/N AND ADDED P/N 5650175 TO DRAWING EC 1073	11-22-99	NT/MRS
C	DELETED P/N 5650175 AND ADDED P/N 5600573 TO DRAWING EC 1101	1-20-00	NT/MRS
D	REV. DESCR. ITEM 2 EC1627	8-13-01	NT/JMB
E	ROT. CONN. 90° ITEM 2 EC2313	7-16-02	NT/JMB
F	CHANGED DESCRIPTION PER EC 2666	10/29/02	JMB/



UNLESS OTHERWISE SPECIFIED DIMENSIONS ARE IN INCHES		APPROVALS	DATE	 P.O. BOX 4100 HARRISBURG, PA (717) 944-1300 FAX (717) 944-1625	TITLE HC-P: RJ45 CAT 5 120V AC
PROJECTION	TOLERANCES	ANGLES			
 	N/A	N/A			
MATERIAL	DUST COVER-POLYAMIDE 6.6 HOUSING-ALUMINUM CAST ALLOY LOCKING PINS AND HANDLE - STEEL		CHECKED	2/25 99	
FINISH	DUST COVER-GRAY HOUSING-HAMMER FINISH, SILVER-GRAY LOCKING PINS AND HANDLE - ZINC PLATE		APPROVED	2/25 99	
DO NOT SCALE PRINT					
SIZE B		DWG. NO.	5600573	REV. F	SHEET 1/1
SCALE 1:1					