

DRAWING FOR REFERENCE: This is subject to change without notice
12/05/2013

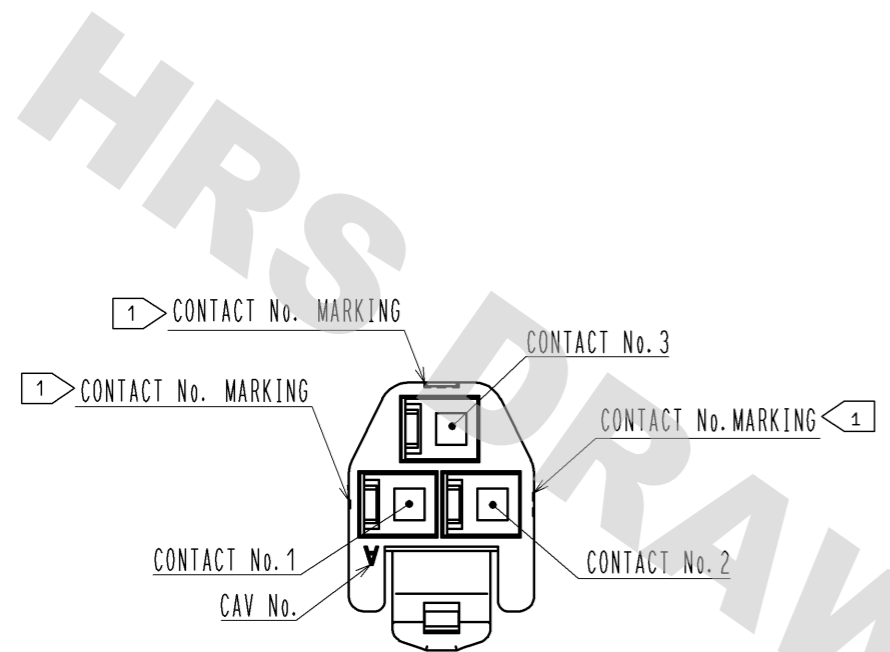
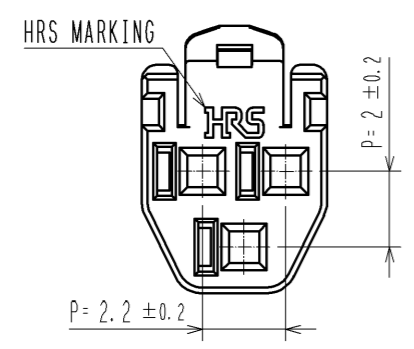
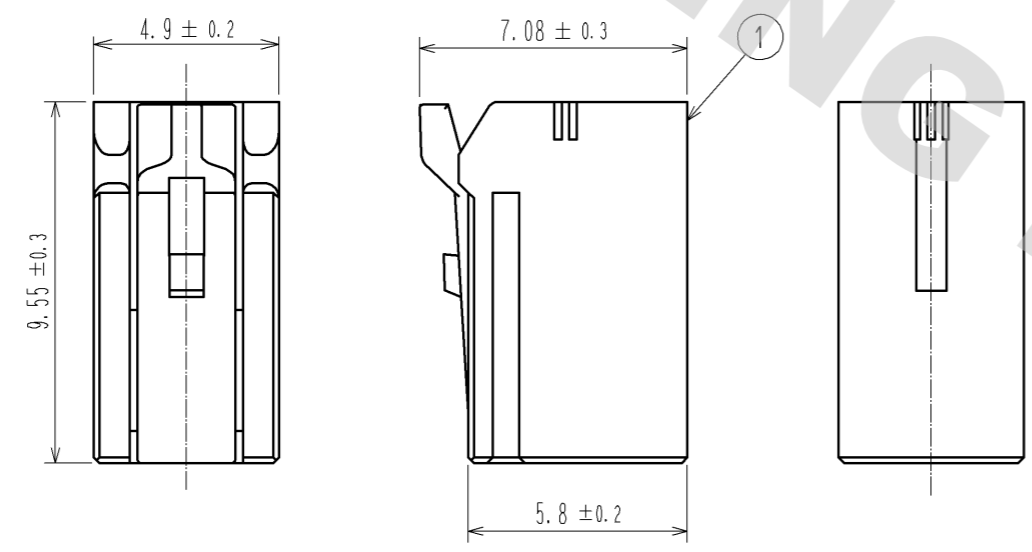
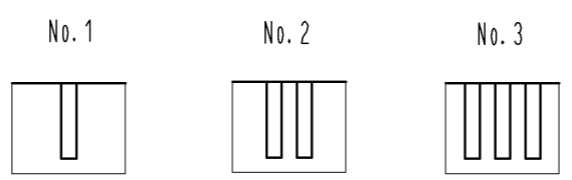
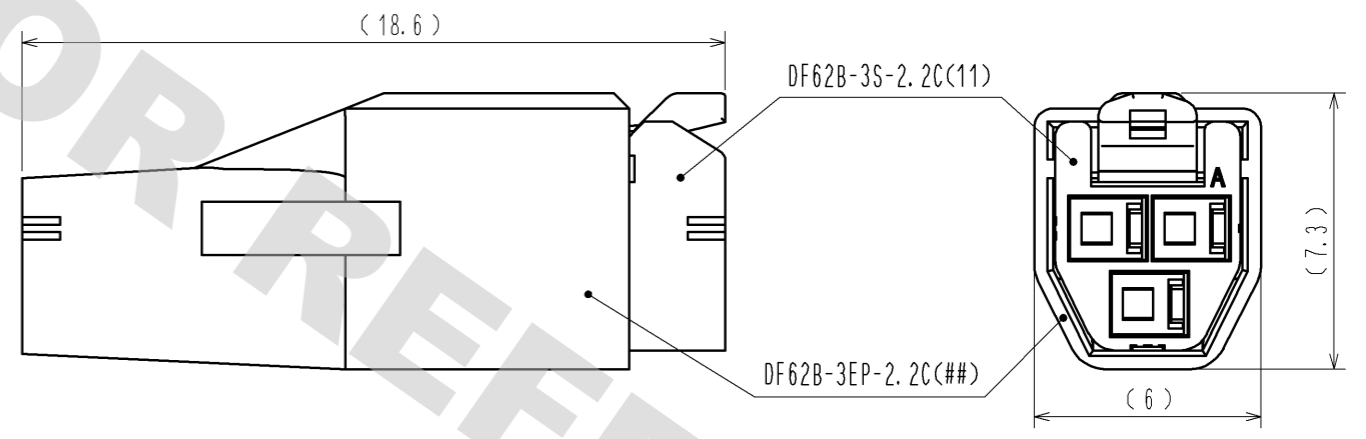


FIGURE-1 CONTACT No. MARKING (10:1)



MATING FIGURE



NOTE. 1. MARKINGS AT THE INDICATED POSITIONS IS CONTACT NO. MARKING. AND SHAPES ARE SHOWN IN FIGURE-1.
2. PER PACK : 100 PIECES.
3. THE DIMENSIONS IN PARENTHESIS ARE FOR REFERENCE.

NO.		MATERIAL		FINISH . REMARKS		1	PBT	UL94V-0(BLACK)		
UNITS mm		SCALE 5 : 1		COUNT		DESCRIPTION OF REVISIONS		DESIGNED	CHECKED	DATE
 HIROSE ELECTRIC CO., LTD.		APPROVED : KI. AKIYAMA		13. 09. 11		DRAWING NO.		EDC3-351956-01		
		CHECED : OM. MIYAMOTO		13. 09. 11		PART NO.		DF62B-3S-2. 2C(11)		
		DESIGNED : TH. YOSHIKAWA		13. 09. 11		CODE NO.		CL544-0552-2-11		
		DRAWN : MI. SAKIMURA		13. 09. 06						