


Ordering number FA10299_OSS-RS

Family	Rose	FWHM	7 degrees
Type	Assembly	Efficiency	90 %
LED	Golden Dragon+	cd/lm	29.600
Color	White	Gerber File	Available
Diameter	21.6 + 21.6 mm		
Height	13.9 mm		
Style	Square		
Optic Material	PC		
Holder Material	PC		
Fastening	Tape		
Status	Ready		


Ordering number FA10300_OSS-D

Family	Rose	FWHM	11 degrees
Type	Assembly	Efficiency	87 %
LED	Golden Dragon+	cd/lm	12.700
Color	White	Gerber File	Available
Diameter	21.6 + 21.6 mm		
Height	13.9 mm		
Style	Square		
Optic Material	PC		
Holder Material	PC		
Fastening	Tape		
Status	Ready		


Ordering number FA10327_OSS-SS

Family	Rose	FWHM	12 degrees
Type	Assembly	Efficiency	93 %
LED	Golden Dragon+	cd/lm	13.150
Color	White	Gerber File	Available
Diameter	21.6 + 21.6 mm		
Height	13.9 mm		
Style	Square		
Optic Material	PC		
Holder Material	PC		
Fastening	Tape		
Status	Ready		


Ordering number FA11145_OSS-O-90

Family	Rose	FWHM	12+48 degrees
Type	Assembly	Efficiency	(simulated) 0 %
LED	Golden Dragon+	cd/lm	-
Color	White	Gerber File	Available
Diameter	21.6 + 21.6 mm		
Height	13.9 mm		
Style	Square		
Optic Material	PC		
Holder Material	PC		
Fastening	Tape		
Status	Ready		


Ordering number FA10301_OSS-M

Family	Rose	FWHM	30 degrees
Type	Assembly	Efficiency	87 %
LED	Golden Dragon+	cd/lm	2.700
Color	White	Gerber File	Available
Diameter	21.6 + 21.6 mm		
Height	13.9 mm		
Style	Square		
Optic Material	PC		
Holder Material	PC		
Fastening	Tape		
Status	Ready		


Ordering number FA10302_OSS-O

Family	Rose	FWHM	42+11 degrees
Type	Assembly	Efficiency	86 %
LED	Golden Dragon+	cd/lm	4.200
Color	White	Gerber File	Available
Diameter	21.6 + 21.6 mm		
Height	13.9 mm		
Style	Square		
Optic Material	PC		
Holder Material	PC		
Fastening	Tape		
Status	Ready		


Ordering number FA10342_OSS-W

Family	Rose	FWHM	48 degrees
Type	Assembly	Efficiency	84 %
LED	Golden Dragon+	cd/lm	1.000
Color	White	Gerber File	Available
Diameter	21.6 + 21.6 mm		
Height	13.9 mm		
Style	Square		
Optic Material	PC		
Holder Material	PC		
Fastening	Tape		
Status	Ready		

NOTE: The typical divergence will be changed by different color, chip size and chip position tolerance. The typical total divergence is the full angle measured where the luminous intensity is half of the peak value.



PRODUCT DATASHEET Rose series

last update 22/2/2013



GENERAL INFORMATION

- Product series especially designed & optimized for Golden Dragon+ series of LEDs.
- Special care taken to make light distribution as uniform as possible.
- Lens material optical grade PC with high UV and temperature resistance (120 degrees of Celcius / 248 degrees of Fahrenheit). Allows use of high current and temperature conditions.

Please find more information about used materials from below:

http://ledil.fi/sites/default/files/Documents/Technical/Material/PC%20Makrolon%202400_2407_2456_2458-UL.pdf

- Optic holder molded by high quality PC material (120 dergees of Celcius / 248 degrees of Fahrenheit).
- Fastening to heat sink with a PU foam adhesive tape of automotive grade. Please find fastening details by clicking link: http://www.ledil.com/datasheets/DataSheet_TAPE.pdf

NOTE 1: We advise customer to ensure the suitability and sufficiency of the bond in the end product. For example, mechanical stress, vibration and holes on the surface of the circuit board weaken the strength of the tape.

NOTE 2: Assembly to the surface must be made straight, so the tape bonds constant and balanced with fastening surface. Slanted assembly might cause unbalanced bond to the surface. All surfaces where tape is applied must be clean, dry and free from grease and dirt.

If cleaning of PCB surfaces is needed, please follow strictly the cleaning instructions of your LED manufacturer - this is important as cleaning shall under no circumstances damage LEDs or other electronics components on the PCB.

Further note that optical components shall not be cleaned with any chemicals - only micro fiber cloth may be used to remove fingerprints or other traces from handling.

D

C

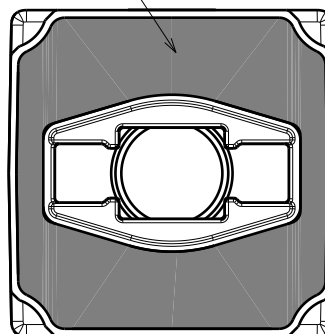
B

A

4

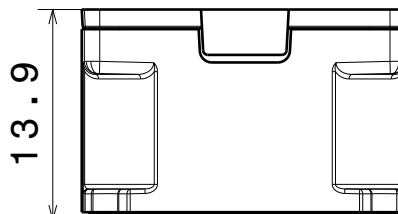
4

Tape 0,4mm



3

3



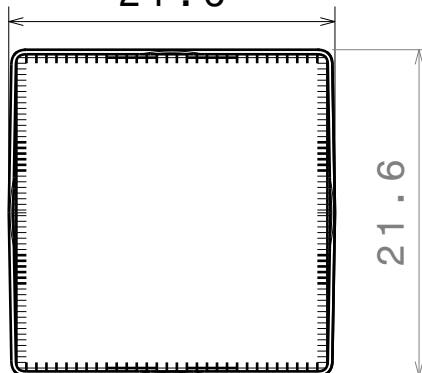
2

2

beam direction of OSS-0

Beam 90-deg rotated in OSS-0-90

21.6



21.6

MATERIALS
 LENS: PC
 HOLDER: PC White
 TAPE: PU Foam

This drawing is our property.
 It can't be reproduced
 or communicated without
 our written agreement.



L
T
F
F

e
e
i
i
n
n

d
h

DRAWING TITLE

Datasheet OSS series assy

1

1

DRAWN BY

T K

DATE

10.10.2006

CHECKED BY

H

DATE

10.10.2006

SIZE

A4

DRAWING NUMBER

REV

DESIGNED BY

HH

DATE

10.10.2006

SCALE

2:1

WEIGHT (g)

4.5

SHEET

1/1

D

A