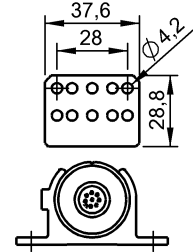
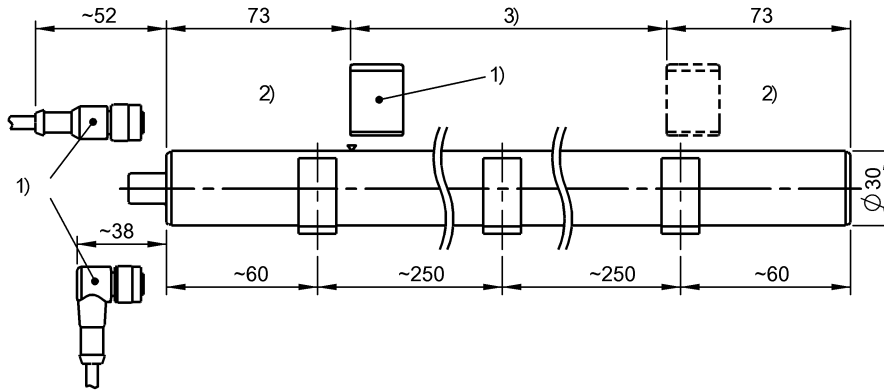


**BTL6-P111-M0400-A1-S115**  
**Ordering code: BTL00E9**

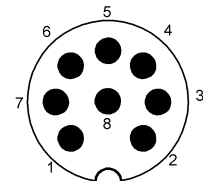
**Micropulse transducers**  
**Series Profile**

**Output signal Start/Stop and Start/Stop**  
**neg.**  
**Nominal stroke 400 mm**

**BALLUFF**  
*sensors worldwide*



Pin	
1	INIT
2	START/STOP
3	INIT
4	NC
5	START/STOP
6	GND
7	+24 V DC
8	NC



1) Not incl. in scope of del., 2) Unusable area, 3) Nom. stroke = Meas. length

**Characteristic data**

Output signal Start/Stop and Start/Stop neg.  
 Connection Connector, M12  
 Operating voltage 20...28 V DC  
 Multi-magnet technology yes

**Electrical data**

Ripple 0.5 Vpp  
 Current consumption (at 24 V DC) ≤ 90 mA  
 Inrush current ≤ 3 A / 0.5 ms  
 Overvoltage protected Yes  
 Voltage-proof (GND – housing) 500 V DC  
 Start/stop pulse, level +5 V RS 485/422 driver  
 Galvanic isolation No  
 Non-linearity (Lin1) ±200 µm  
 Active flank rising / falling  
 DPI/IP protocol Yes  
 Start/stop pulse, level 3 - 5 µs  
 Number of magnets max. 4  
 For dynamic loop applications No

**Mechanical data**

Version Type A1  
 Mounting type Mounting clamps  
 nominal stroke max. 3250 mm  
 Connector type M12  
 Cable/connector out Axial

Number of pins 8  
 Housing material Anodized aluminum  
 Resolution ≤ 10 µm  
 Repeat accuracy ≤ 10 µm  
 TK, typ. (at 50% of 500 mm) ≤ 35 ppm/K  
 Ambient temperature Ta min. 0 °C  
 Ambient temperature Ta max. 70 °C  
 Storage temperature min. -40 °C  
 Storage temperature max. 100 °C  
 Relative humidity < 90%, non-condensing  
 Null point 73 mm

**Basic data**

Protected against polarity reversal  
 Enclosure Type per IEC 60529  
 EN 60068-2-27 (shock) Up to 36 V  
 EN 60068-2-29 (cont. shock) IP67 (with connector)  
 EN 60068-2-6 (vibration) 50 g / 6 ms  
 EN 60068-2-64 (noise) 50 g / 2 ms  
 EN 55016-2-3 (emission) 12 g, 10...2000 Hz  
 EN 61000-4-2 (ESD) 5 g, 10...2000 Hz  
 EN 61000-4-3 (RFI) Class A+B  
 EN 61000-4-4 (burst) Severity Level 3  
 EN 61000-4-5 (surge) Severity Level 3  
 EN 61000-4-6 (HF fields) Severity Level 2  
 EN 61000-4-8 (magnetic fields) Severity Level 3  
 Approvals Severity Level 4  
 CE, cURus

**BTL6-P111-M0400-A1-S115**  
**Ordering code: BTL00E9**

**Micropulse transducers**  
**Series Profile**

**BALLUFF**  
*sensors worldwide*

**Remarks**

Additional features

with DPI/IP-protocol

