



MASTER LEDluster

MASTER LEDluster D 4-25W E14 WW P45 CL

Delivering incandescent-like sparkling light effects, MASTER LEDluster bulbs are ideal for general and decorative lighting in the hospitality industry, as well as in home environments. The dimmable MASTER LEDlusters drive further efficiencies, while helping to create the desired atmosphere. Mounted in full view in chandeliers, wall scones or modern luminaires, the clear or frosted glass bulbs fit all existing fixtures with an E14, E27 and B22 socket. Drawing upon inputs from chandelier makers and designed to enhance the aesthetic appeal of the chandelier or luminaire, not only when lit but also when not, these lamps come in a classical slender shape with a unique, eye-catching lens design. They produce a beautiful sparkling warm light that delivers huge energy savings and minimizes maintenance cost.

Product data

• General Characteristics

Cap-Base	E14
Bulb	P45 [P 45mm]
Bulb Finish	Clear
Rated Lifetime (hours)	20000 hr
Rated Lifetime (years)	10 an

• Light Technical Characteristics

Color Code	WW
Color Designation (text)	Warm White
Correlated Color Temperature	2700 K
Color rendering index	80
Color Temperature	2700 K [CCT 2700K]
Rated Luminous Flux	250 Lm

• Electrical Characteristics

Wattage	4 W
Wattage Technical	4 W
Voltage	230 V
Line Frequency	50-60 Hz
Lamp Current mA	32 mA
Dimmable	Yes
Wattage Equivalent	25 W
Starting Time	0.5 (max) s

• Environmental characteristics

Energy Efficiency Label (EEL)	Class A
-------------------------------	---------

• Measuring Conditions

Switching cycle	50000x
-----------------	--------

• Product Dimensions

Diameter D	43.5 mm
Overall Length C	86 mm

• Product Data

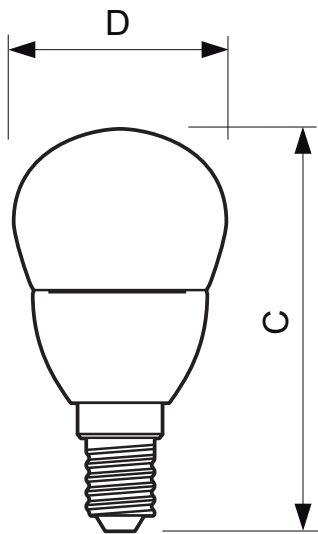
Order code	929000214502
Full product code	929000214502
Full product name	MASTER LEDluster D 4-25W E14 WW P45 CL
Order product name	MAS LEDluster D 4-25W E14 WW P45 CL
Pieces per pack	1
Packing configuration	10
Packs per outerbox	10
Bar code on pack - EAN1	8718291193722
Bar code on outerbox - EAN3	8718291193739
Logistic code(s) - 12NC	929000214502
Net weight per piece	0.038 kg



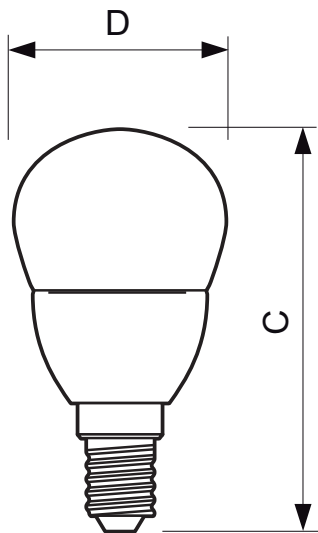
PHILIPS

sense and simplicity

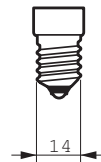
Dimensional drawing



LED 4-25W E14 P45



LED 4-25W E14 P45



E14



© 2012 Koninklijke Philips Electronics N.V.
All rights reserved.

Specifications are subject to change without notice. Trademarks are the property of Koninklijke Philips Electronics N.V. or their respective owners.

www.philips.com/lighting

2012, June 19
data subject to change