

# SS SERIES

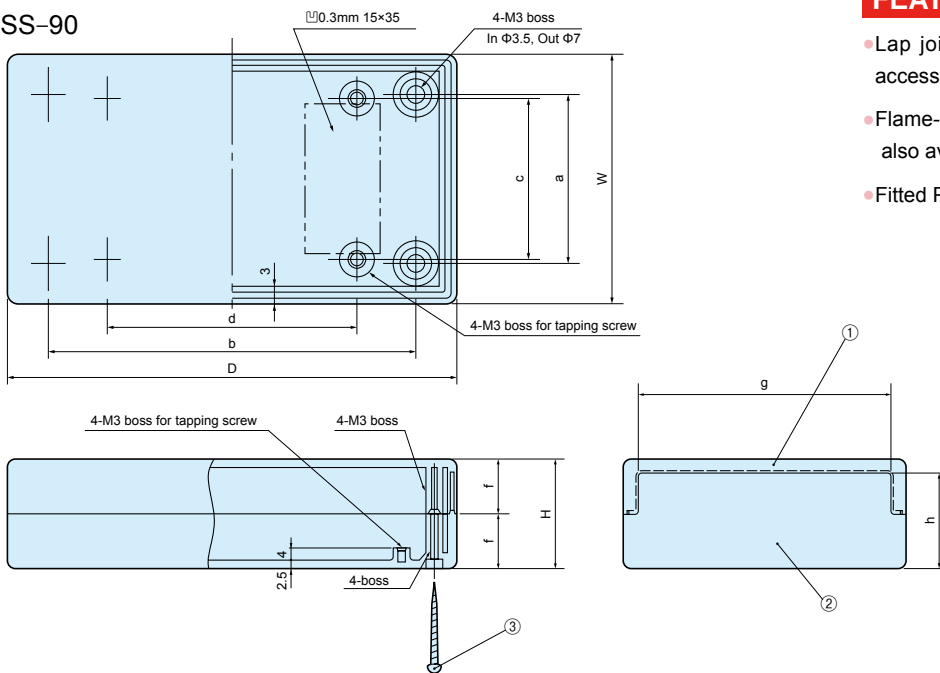
## SS PLASTIC CASE

## SS-N FLAME-RESISTANT PLASTIC CASE



### SS Dimensions

SS-90



### FEATURE

- Lap joint construction provides protection against access of dust and water.
- Flame-resistant (UL94V-0) type in light gray color is also available.
- Fitted P.C board is available.

### Components

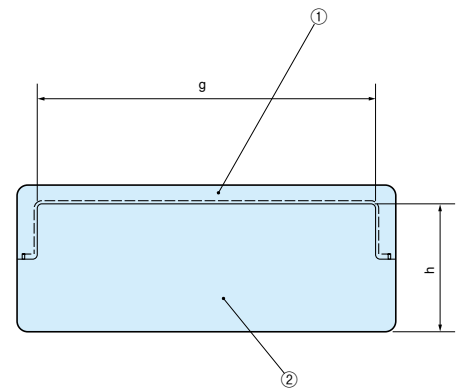
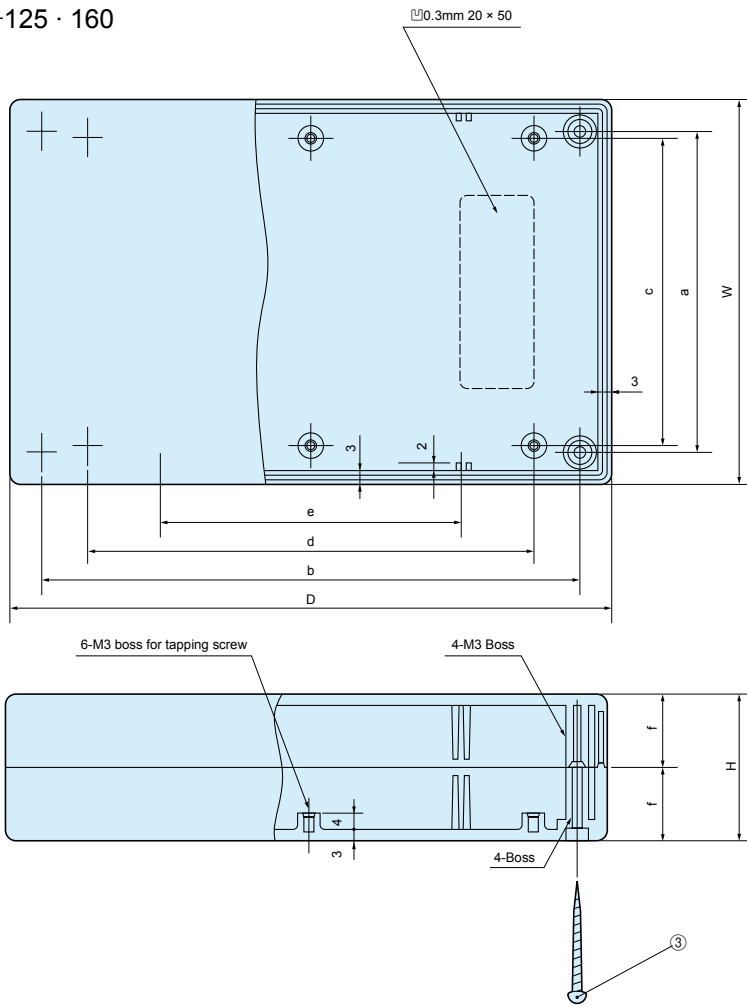
Ref. #	Part name	Pcs	Material	Color / Finish
1	Top cover	1	ABS · ABS UL94V-0	Ivory · Black · Light gray
2	Bottom cover	1	ABS · ABS UL94V-0	Ivory · Black · Light gray
3	Screw	4	M3 tapping screw	Trivalent chromate

### Accessories (Optional parts)

Product name	Part no.	Catalog page
Universal P.C board	TNF	P39-40
Tapping screw for P.C board	EM	P42

SS Dimensions

SS-125 · 160



Color

Type	Top cover	Bottom cover
G	Light gray	Light gray
A	Ivory	Ivory
B	Black	Black

SS-N Flame-resistant type

ABS UL94V-0

Part no. / Dimensions

Part no.	W	H	D	a	b	c	d	e	f	g	h	Weight(g)
SS-N 90G	50	26	90.3	34	74	30	50	—	13	40	21	55
SS-N125G	80	32	125	64	109	60	85	60	16	70	27	115
SS-N160G	100	38	160	84	144	80	120	80	19	90	33	185

SS Standard type

ABS UL94HB

Part no. / Dimensions

Part no.	W	H	D	a	b	c	d	e	f	g	h	Weight(g)
SS- 90A	50	26	90.3	34	74	30	50	—	13	40	21	50
SS- 90B	50	26	90.3	34	74	30	50	—	13	40	21	50
SS- 125A	80	32	125	64	109	60	85	60	16	70	27	100
SS- 125B	80	32	125	64	109	60	85	60	16	70	27	100
SS- 160A	100	38	160	84	144	80	120	80	19	90	33	165
SS- 160B	100	38	160	84	144	80	120	80	19	90	33	165