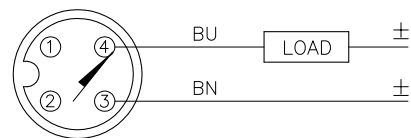


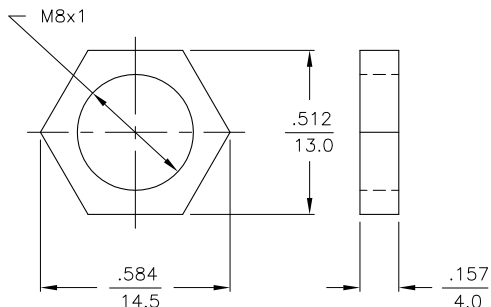
WIRING DIAGRAM



OUTPUT: AD6X

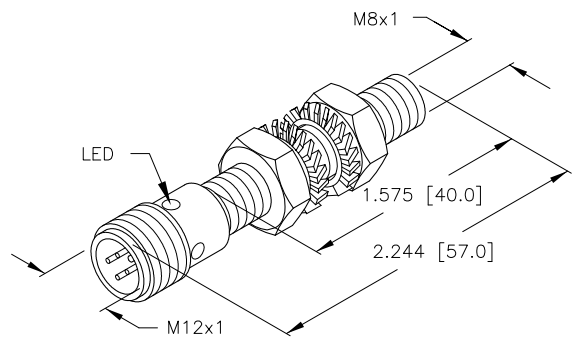
SHORT-CIRCUIT AND OVERLOAD PROTECTED

LOCKNUT LN-SS08



SPECIFICATIONS

OPERATING VOLTAGE	10-30 VDC
RIPPLE	≤ 10%
DIFFERENTIAL TRAVEL (HYSTERESIS)	1-15% (5% TYPICAL)
VOLTAGE DROP ACROSS CONDUCTING SENSOR	≤ 6.2 V @ 100 mA
OUTPUT FUNCTION -AD	NORMALLY OPEN 2-WIRE DC SELF-CONTAINED
OUTPUT FUNCTION -RD	NORMALLY CLOSED 2-WIRE DC SELF-CONTAINED
TTL COMPATIBLE	NO
SHORT-CIRCUIT PROTECTED	YES
TRIGGER CURRENT FOR OVERLOAD PROTECTION	≥ 120 mA
MAXIMUM LOAD CURRENT	≤ 100 mA
MINIMUM LOAD CURRENT	≥ 3.0 mA
LEAKAGE (OFF-STATE) CURRENT	≤ 0.8 mA
TIME DELAY BEFORE AVAILABILITY	≤ 10 ms
POWER-ON EFFECT PROTECTION	INCORPORATED
PROTECTION AGAINST TRANSIENTS	2 kV, 1 ms, 1 kΩ
OPERATING TEMPERATURE	-25°C to +70°C (-13°F to +158°F)
ENCLOSURE	MEETS NEMA 1, 3, 4, 6, 13 AND IEC IP67
SHOCK	30 g, 11 ms
VIBRATION	55 Hz, 1 mm AMPLITUDE (IN ALL 3 PLANES)
LED FUNCTION	YELLOW: OUTPUT ENERGIZED
SENSING RANGE	1.5 mm = .059" (NOMINAL)
SWITCHING FREQUENCY	1000 Hz
REPEATABILITY	≤ 2% of RATED OPERATING DISTANCE
SHIELDED	YES



SOURCE DRAWING - FOR REFERENCE ONLY

RELATED DOCUMENTS		3RD ANGLE PROJECTION		THIS DRAWING IS PROPERTY OF TURCK INC. USE OF THIS DOCUMENT WITHOUT WRITTEN PERMISSION IS PROHIBITED.		TURCK INC High Technology Sensors and Automation Controls 3000 CAMPUS DRIVE MINNEAPOLIS, MN 55441 1-800-544-7769 (763) 553-7300 (763) 553-0708 fax turck.com	
1.			ALL DIMENSIONS DISPLAYED ON THIS DRAWING ARE FOR REFERENCE ONLY	DRFT	RDS	DATE	08/23/05
2.				DSGN	EH	SCALE	NONE
3.		MATERIAL		UNIT OF MEASUREMENT		DESCRIPTION	
4.		STAINLESS STEEL		INCH [MILLIMETER]		BI 1.5-EG08-AD6X-H1341	
FINISH		CONTACT TURCK FOR MORE INFORMATION		DO NOT SCALE THIS DRAWING		IDENTIFICATION NO.	REV
						S4600203	A
A	DRAWING RELEASE	RDS	08/23/05	FILE: S4600203		SHEET 1 OF 1	
REV	DESCRIPTION	BY	DATE	ECO NO.			