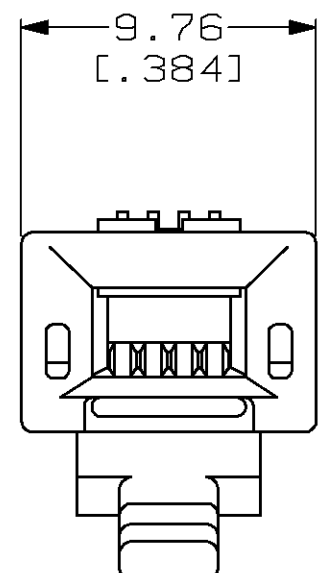
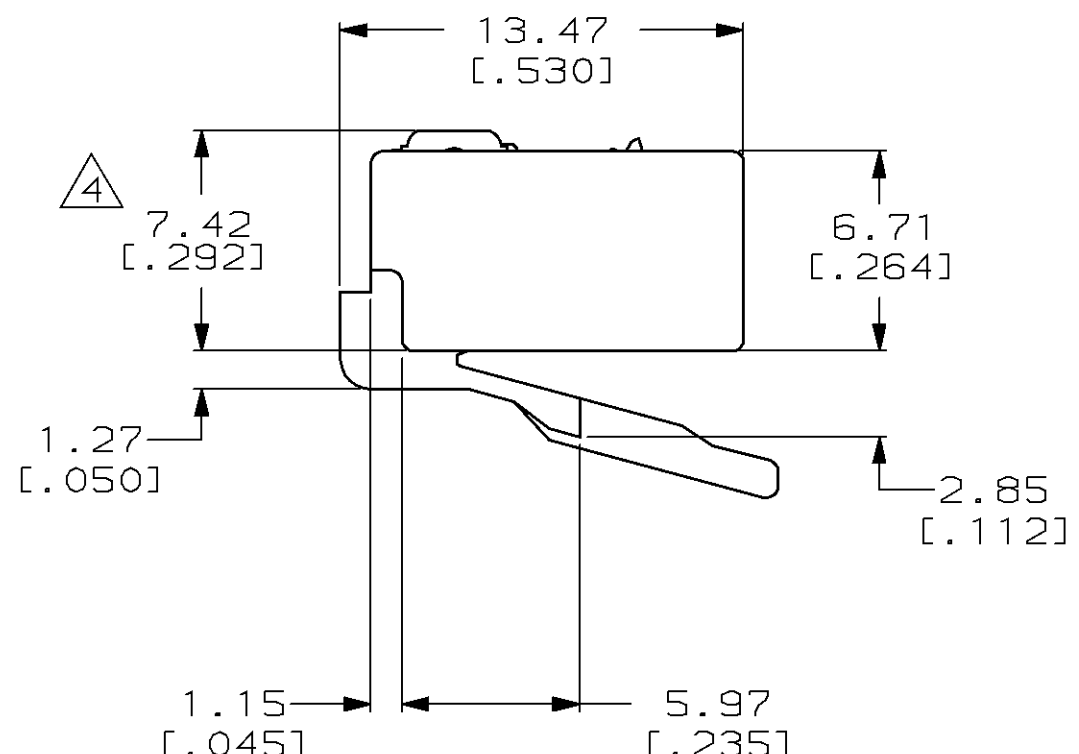
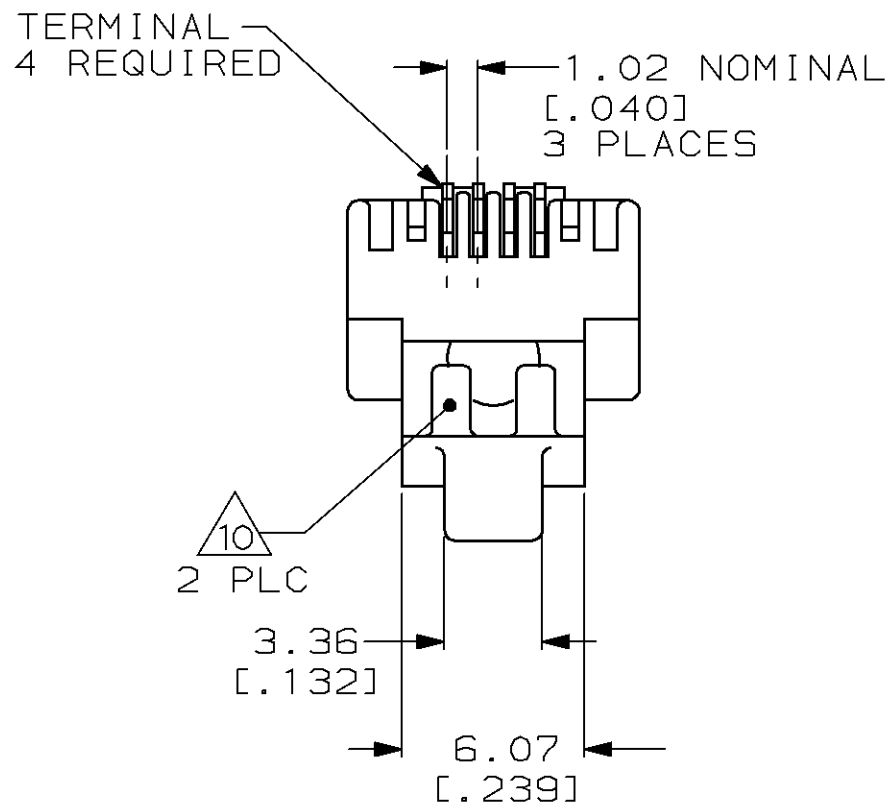
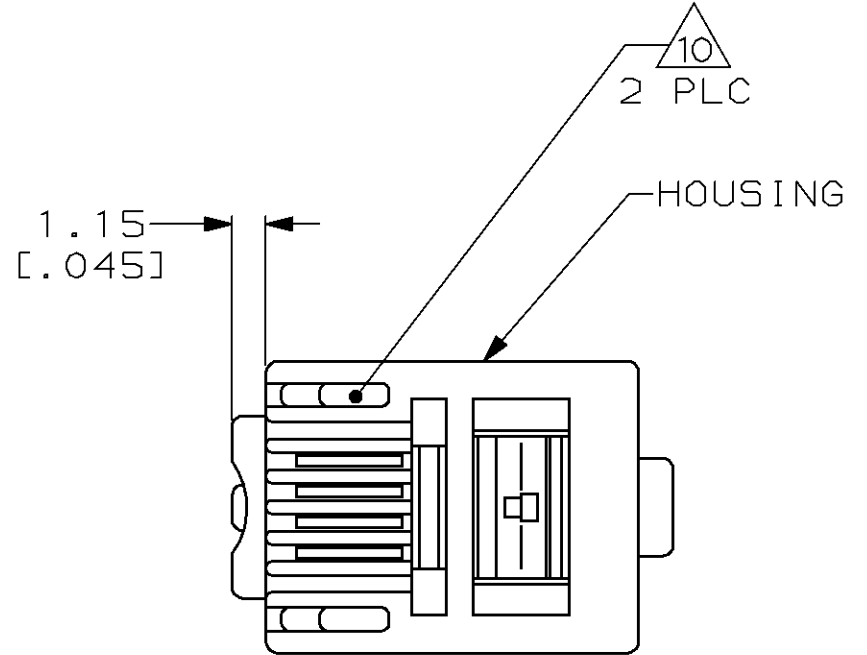


LOC	DIST	P	F	REVISIONS				
AA	22			ZONE	LTR	DESCRIPTION	DATE	APPD
					T	REV; EC 0502-0462-97	14JUL97	GG EL

- 1. DIMENSIONS ARE MAXIMUM UNLESS OTHERWISE SPECIFIED.
- 2. MATERIAL: HOUSING-POLYCARBONATE, CLEAR. TERMINAL-0.36[.014] THICK PHOSPHOR BRONZE PLATED WITH 1.27µm[.000050] THICK GOLD IN LOCALIZED GOLD PLATE AREA, GOLD FLASH OVER THE REMAINDER, OVER 2.54µm[.000100] THICK NICKEL UNDERPLATE.
- 3. PLUG WILL ACCEPT 26 OR 28 AWG STRANDED WIRE HAVING A MAXIMUM INSULATION DIAMETER OF 0.99[.039] AND A MAXIMUM DIAMETER ROUND CABLE JACKET OF 2.54 [.100] OR OVAL CABLE JACKET OF 2.29 x 4.83[.090 x .190] MAXIMUM.
- 4. TERMINATED DIMENSION 6.15[.242] MAXIMUM.
- 5. PACKAGED 10 ASSEMBLIES PER BLISTER PACK.
- 6. PACKAGED 10,000 ASSEMBLIES PER CARTON.
- 7. PACKAGED 1000 ASSEMBLIES PER CARTON.
- 8. PACKAGED 100 ASSEMBLIES PER BOX, 10 BOXES PER CARTON.
- 9. PACKAGED 25 ASSEMBLIES PER POLYBAG, 40 POLYBAGS PER CARTON.
- 10. REELED PRODUCT ON STRIP DOES NOT HAVE VOID CORING ILLUSTRATED ON THIS DRAWING.



5 (triangle symbol)	6-641335-3
9 (triangle symbol)	5-641335-7
8 (triangle symbol)	5-641335-3
7 (triangle symbol)	5-641335-2
6 (triangle symbol)	5-641335-1
REELED 10 (triangle symbol)	641335-1
PACKAGED	PART NO

DO NOT SCALE PRINT. UNLESS SPECIFIED DIMENSIONS IN mm [INCHES] TOLERANCES ON: 2 PLC DEC ± - 1 (triangle symbol) 3 PLC DEC ± - ANGLES ± -	DR 9-1-93 YTP/UTA	AMP Incorporated Harrisburg, PA 17105-3608	
	CHK 9-15-93 C.WHITT		
MATERIAL 2 (triangle symbol)	APPD 9-20-93 H.MCGRATH	NAME	
FINISH 2 (triangle symbol)	PRODUCT SPEC 108-1163	MODULAR PLUG ASSEMBLY, 4 POSITION, LINE	
	APPLICATION SPEC 114-6016	SIZE C	CAGE CODE 00779
	WEIGHT -	DRAWING NO G=641335	
		SCALE 4:1	SHEET 1 OF 1

THIS DRAWING IS A CONTROLLED DOCUMENT FOR AMP INCORPORATED. IT IS SUBJECT TO CHANGE AND THE CONTROLLING ENGINEERING ORGANIZATION SHOULD BE CONTACTED FOR THE LATEST REVISION.