



Illum.push-but.conic.stay-put,yellow



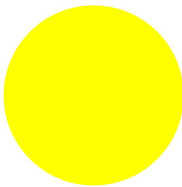
Powering Business Worldwide™



**Part no.**  
**Article no.**  
**Catalog No.**

**M22-DRLH-Y**  
**216799**  
**M22-DRLH-YQ**

### Delivery programme



|                            |  |  |                                                                                    |
|----------------------------|--|--|------------------------------------------------------------------------------------|
| Product range              |  |  | RMQ-Titan (drilling dimensions 22.5 mm)                                            |
| Basic function             |  |  | Illuminated pushbutton actuators                                                   |
| Single unit/Complete unit  |  |  | Single unit                                                                        |
| Design                     |  |  | Extended                                                                           |
| Function                   |  |  | maintained                                                                         |
| Description                |  |  | Actuator extended,<br>Stay-put/spring-return function can be changed on device     |
| Colour                     |  |  |                                                                                    |
| Button plate               |  |  |  |
| Protection type            |  |  | IP67, IP69K                                                                        |
| Front ring                 |  |  | Front ring: titanium                                                               |
| Connection to SmartWire-DT |  |  | yes                                                                                |

### Approvals

Product Standards  
UL File No.  
UL Category Control No.  
CSA File No.  
CSA Class No.  
North America Certification  
Degree of Protection

IEC/EN 60947-5; UL 508; CSA-C22.2 No. 14-05; CSA-C22.2 No. 94-91; CE marking  
E29184  
NKCR  
012528  
3211-03  
UL listed, CSA certified  
UL/CSA Type 3R, 4X, 12, 13

### General

|                             |              |                      |                                                                                          |
|-----------------------------|--------------|----------------------|------------------------------------------------------------------------------------------|
| Standards                   |              |                      | IEC/EN 60947<br>VDE 0660                                                                 |
| Lifespan, mechanical        | Operations   | x<br>10 <sup>6</sup> | > 1                                                                                      |
| Operating frequency         | Operations/h |                      |  1800 |
| Actuating force             |              | n                    |  5    |
| Protection type             |              |                      | IP67, IP69K                                                                              |
| Climatic proofing           |              |                      | Damp heat, constant, to IEC 60068-2-78<br>Damp heat, cyclic, to IEC 60068-2-30           |
| Ambient temperature         |              | °C                   |                                                                                          |
| Open                        |              | °C                   | - 25 - + 70                                                                              |
| Mounting position           |              |                      | As required                                                                              |
| Mechanical shock resistance |              | g                    | 30<br>Shock duration 11 ms<br>Sinusoidal<br>according to IEC 60068-2-27                  |

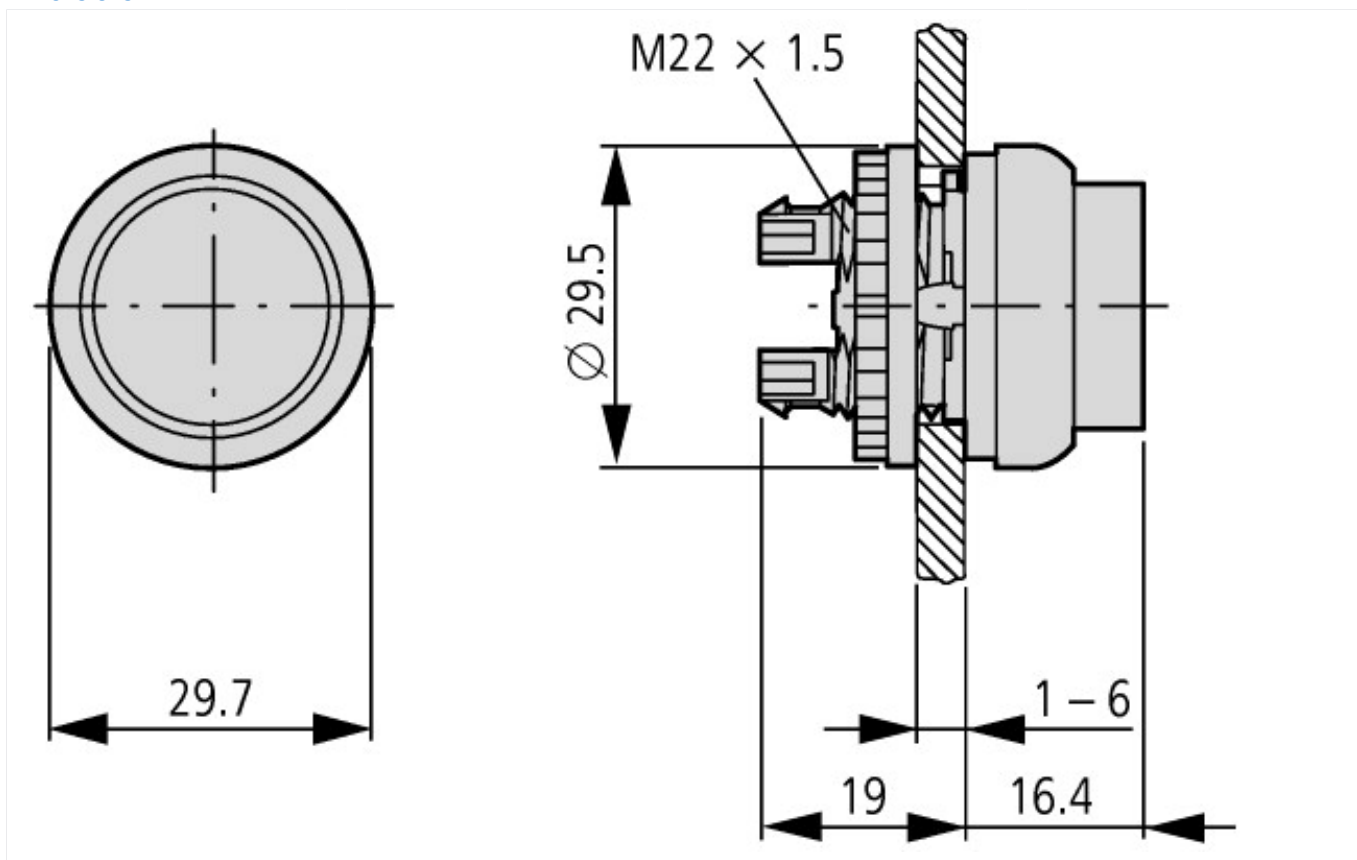
### Technical data ETIM 5.0

Low-voltage industrial components (EG000017) / Front element for push button (EC000221)  
Electric engineering, automation, process control engineering / Low-voltage switch technology / Command and alarm device / Front element for push-button actuators  
(ec1@ss8-27-37-12-10 [AKF028010])

|                                       |  |    |        |
|---------------------------------------|--|----|--------|
| Colour button                         |  |    | Yellow |
| Number of command positions           |  |    | 1      |
| Construction type lens                |  |    | Round  |
| Hole diameter                         |  | mm | 22     |
| Width opening                         |  | mm | 22     |
| Height meter opening                  |  | mm | 6      |
| Degree of protection (IP), front side |  |    | IP67   |

|                             |  |         |
|-----------------------------|--|---------|
| Type of button              |  | High    |
| Suitable for illumination   |  | Yes     |
| Switching function latching |  | Yes     |
| Spring-return               |  | Yes     |
| With front ring             |  | Yes     |
| Material front ring         |  | Plastic |
| Colour front ring           |  | Chrome  |

## Dimensions



## Additional product information (links)

**IL04716002Z (AWA1160-1745) RMQ-Titan System**

IL04716002Z (AWA1160-1745) RMQ-Titan System

[ftp://ftp.moeller.net/DOCUMENTATION/AWA\\_INSTRUCTIONS/IL04716002Z2013\\_08.pdf](ftp://ftp.moeller.net/DOCUMENTATION/AWA_INSTRUCTIONS/IL04716002Z2013_08.pdf)