

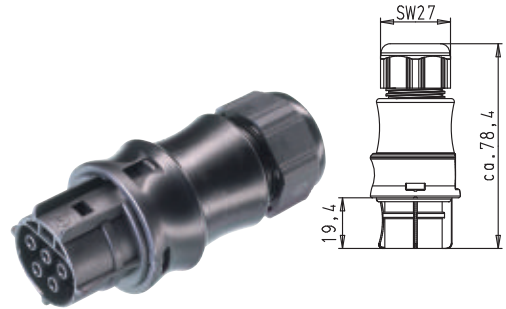
Connector for cables of Ø 6 – 10 mm and 10 – 14 mm

Female connector

Unmounted with cable gland.

Crimp contacts separately available under Accessories

See Technical Data for sheath and insulation strip lengths.



Application	Coding	Cable diameter in mm	Color	Part No.	Part No.
				with screw connection¹⁾	with crimp connection (see Accessories)
				Wire	Wire
				rigid	mm ²
				fine-stranded	0.75 – 4.0
				stranded	without ferrules
Power 250/400 V	⊕, N, 3, 2, 1	6 – 10	gray black	96.051.4053.0	96.151.0053.0
		10 – 14	gray black	96.051.4053.1	96.151.0053.1
			gray black	96.051.4153.0	96.151.0153.0
			gray black	96.051.4153.1	96.151.0153.1
Power 250 V + Dimming	L, ⊕, N, D1, D2	6 – 10	turquoise	96.051.4053.6	96.151.0053.6
		10 – 14	turquoise	96.051.4153.6	96.151.0153.6
Switch.func. 250 V	1, 2, 3, 4, 5	6 – 10	blue	96.051.4053.9	96.151.0053.9
		10 – 14	blue	96.051.4153.9	96.151.0153.9
50 V, LV, bus signals	1, 2, 3, 4, 5	6 – 10	brown	96.051.4051.4	96.151.0051.4
		10 – 14	brown	96.051.4151.4	96.151.0151.4

Male connector

Unmounted with cable gland and with locking device.

Crimp contacts separately available under Accessories

See Technical Data for sheath and insulation strip lengths.



Application	Coding	Cable diameter in mm	Color	Part No.	Part No.
				with screw connection¹⁾	with crimp connection (see Accessories)
				Wire	Wire
				rigid	mm ²
				fine-stranded	0.75 – 4.0
				stranded	without ferrules
				Locking device	yes
Power 250/400 V	⊕, N, 3, 2, 1	6 – 10	gray black	96.052.4053.0	96.152.0053.0
		10 – 14	gray black	96.052.4053.1	96.152.0053.1
			gray black	96.052.4153.0	96.152.0153.0
			gray black	96.052.4153.1	96.152.0153.1
Power 250 V + dimming	L, ⊕, N, D1, D2	6 – 10	turquoise	96.052.4053.6	96.152.0053.6
		10 – 14	turquoise	96.052.4153.6	96.152.0153.6
Switch.func. 250 V	1, 2, 3, 4, 5	6 – 10	blue	96.052.4053.9	96.152.0053.9
		10 – 14	blue	96.052.4153.9	96.152.0153.9
50 V, LV, bus signals	1, 2, 3, 4, 5	6 – 10	brown	96.052.4051.4	96.152.0051.4
		10 – 14	brown	96.052.4151.4	96.152.0151.4