

Euromas Polymas

Enclosure with 2 moulded-on Pg 11



PK 102-211
Order no.: 38102200

* = Available on request.

Characteristics

Colour of enclosure group
silver-grey

Protection class
IP 65

Enclosure Material
PA 6-GB 30, seal made of CR; for details see Technical Information

Scope of delivery

Lid and base, lid screws made of V2A, 2 moulded-on cable glands, Pg 11 including clamping cage, pressure screw and continuous sealing ring

Note

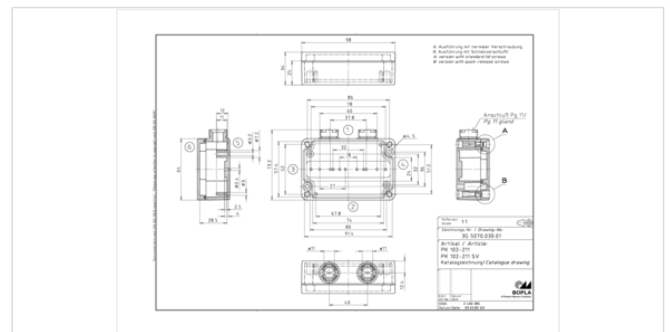
G = Crystal-clear lid.

Note arrangement of cable glands (see photos at start of chapter).

Dimensions

Dimensions
98 x 64 x 34 mm

Product drawing



Important!

To compensate for pressure when temperatures change and cause moisture in the enclosure, we recommend that you use a pressure compensation element.

» Additional information

Technical documentation / Downloads

Technical drawings

3D product data in STEP format: 38102200 PK-102-211.stp (1.1 MB)
Product drawing in PDF format: 38102200 PK-102-211.pdf (55.2 KB)
Product drawing in DXF format: 38102200 PK-102-211.dxf (623.4 KB)
Drawing for mechanical processing: 38102200 PK-102-211-G.dxf (669.9 KB)

Product information

Euromas Polymas GB.pdf (306.5 KB)

Milling contours are shown here as a DXF file. (Sub D, USB, HDMI, cable glands, ...)