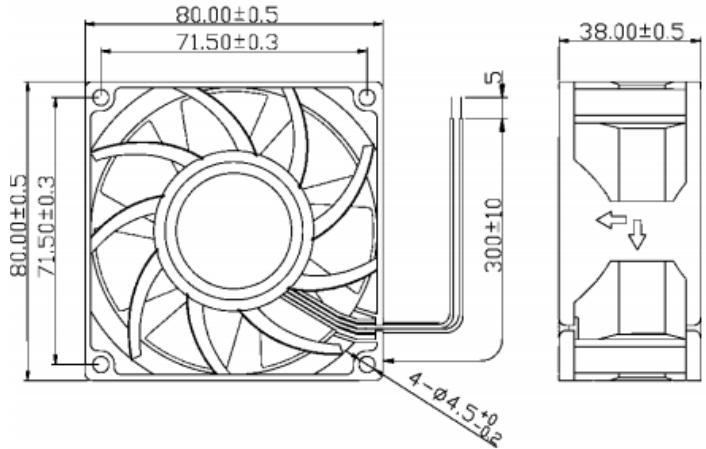


# Datasheet DC Axial Fan

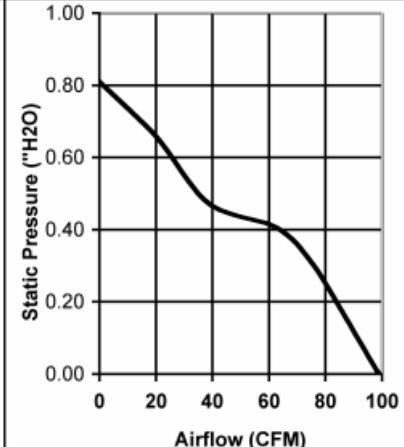
ENGLISH

RS Stock number 703-3448

Dimensions: (mm)



## Specification

Frame & Impeller	PBT, UL94V-O plastic	<b>Options Available</b> Tachometer (FG) Locked Rotor Alarm (RD) Thermal Control PWM	
Connection	2x Lead wires, Red(+), Black (-)		
Motor	Brushless DC, auto restart, polarity protected.		
Bearing System	Dual ball bearing		
Insulation Resistance	Min. 10M at 500VDC		
Dielectric Strength	1 minute at 500VAC / 1 second, max leakage 500 microamp		
Temperature Range	-10C ~ +70C		
Storage Temperature	-40C ~ +80C		
Life (L10)	50,000 hours (40C)		

RS Order number	7033445	7033448	7033442
Model Number	OD8038-12HB-VXC	OD8038-12HB-VXC	OD8038-12HB-VXC
Part Number	188141001	188241001	188441001
Nominal Voltage	12 VDC	24 VDC	48 VDC
Nominal Current	1.2 A	0.5 A	0.3 A
Rated Power	14	14	14
Rated Speed (RPM)	6300	6300	6300
Airflow (CFM)	99	99	99
Noise Level (dB)	57	57	57
Max. Static Pressure	0.81 "H2O	0.81 "H2O	0.81 "H2O