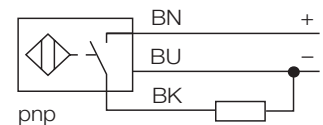


- rectangular, height 10.2 mm
- side active face
- cable outlet to all sides possible
- plastic, PP-GF20
- Factor 1 for all metals
- Extended sensing range
- Degree of protection IP68
- Magnetic field immunity
- Predamping protection based on self-compensation
- up to 4-side flush mounting possible
- 3-wire DC, 10...30 VDC
- normally open, pnp output
- cable connection

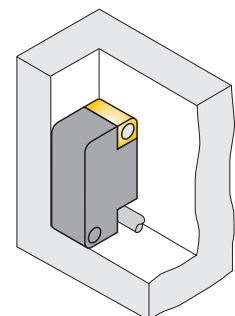
<b>Type</b>	Ni5U-Q10S-AP6X
Ident-No.	1609364
<b>Rated operating distance Sn</b>	5 mm
Mounting condition	non-flush, flush mounting possible
Assured sensing range	≤ (0,81 x Sn) mm
Temperature drift	≤ ± 10 %
	≤ ± 15 %, ≤ -25 °C v ≥ +70 °C
Hysteresis	3... 15 %
Repeatability	≤ 2 %
Ambient temperature	-30...+ 85 °C
<b>Operating voltage</b>	10... 30VDC
Residual ripple	≤ 10 % U <sub>SS</sub>
DC rated operational current	≤ 150 mA
No-load current I <sub>0</sub>	≤ 15 mA
Residual current	≤ 0.1 mA
Rated insulation voltage	≤ 0.5 kV
Short-circuit protection	yes / cyclic
Voltage drop at I <sub>e</sub>	≤ 1.8V
Wire breakage / Reverse polarity protection	yes / complete
Output function	3-wire, normally open, pnp
Switching frequency	≤ 1 kHz
<b>Housing</b>	rectangular, Q10S
Dimensions	27.8 x 16 x 10.2 mm
Housing material	plastic, PP-GF20
Material active face	plastic, PP-GF20
Connection	cable
Cable quality	Ø 3, grey, Lif9Y-11Y, PUR, 2 m Suited for für E-ChainSystems® acc. to manufacturers declaration H1063M
Cable cross section:	3 x 0.14mm <sup>2</sup>
Vibration resistance	55 Hz (1 mm)
Shock resistance	30g (11 ms)
Degree of protection	IP68
<b>Display switch state</b>	LED yellow

**Wiring diagram**



**Functional principle**

Inductive sensors are designed for wear-free and non-contact detection of metal objects. uprox+ sensors have considerable advantages due to their patented multi-coil system. They excel in highest switching distances, maximum flexibility and operational reliability as well as efficient standardisation.

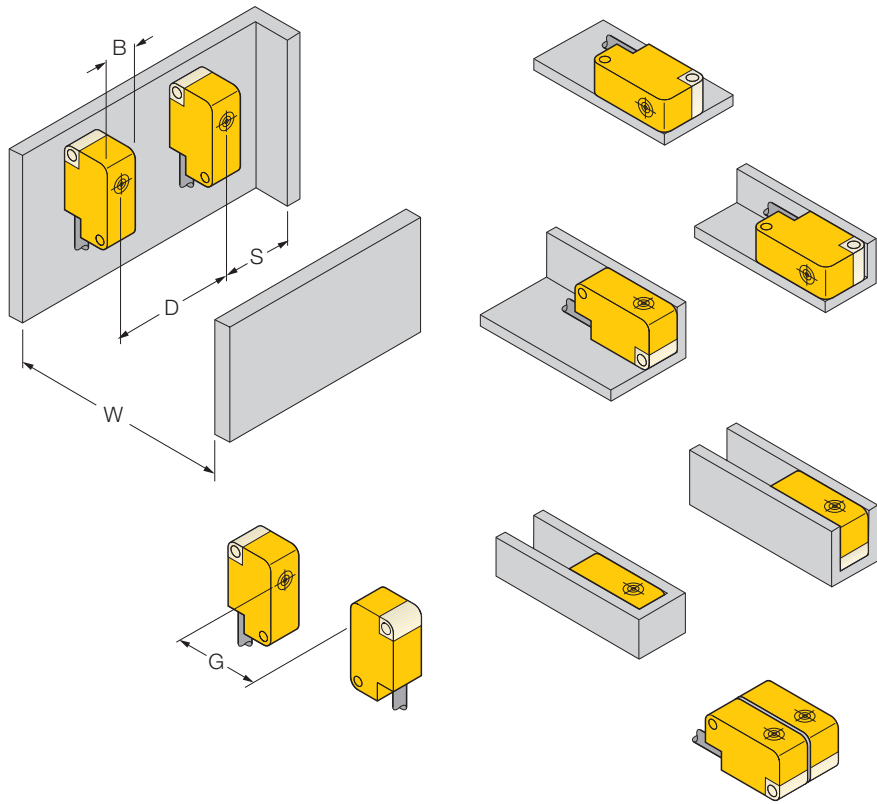


Mounting instructions	minimum distances
Distance D	3 x B
Distance W	3 x Sn
Distance S	1,5 x B
Distance G	6 x Sn

---

**Width of the active face B** 10.2 mm

Up to 4-side flush mounting possible:



1-side mounting:  
Sn = 3 mm

2-side mounting:  
Sn = 3 mm

3-side mounting:  
Sn = 2.6 mm

4-side mounting:  
Sn = 2.3 mm

In many cases sensors have to be mounted in close proximity to fulfill the monitoring work. In order to avoid mutual interferences, Turck offers the Q10S-ZP shield (Ident no. 6900520).