

**6 digit supertwist
LCD programmable
preset timer with
EEPROM data storage
in an IP65 DIN case**



7931 IN TIMER MODE

This versatile time up or time down predetermining timer has a wide range of innovative and attractive features. Designed with imagination and built to the highest standards it offers a range of capability not normally found in a single unit.

- **Simple programming via menu driven display.**
- **High visibility supertwist LCD display can be viewed from any angle.**
- **Five selectable timing ranges.**
- **40 years data retention with no power.**
- **Backlight programmable ON, OFF or AUTO.**
- **Operates from 85-260VAC or 10-30VDC**
- **12VDC output to drive a sensor (when AC powered).**
- **Output relay contacts rated at 5A.**
- **Output can be set to latch or pulse with programmable pulse duration.**
- **Opto-isolated inputs.**
- **Environmental protection to IP65/ NEMA4.**

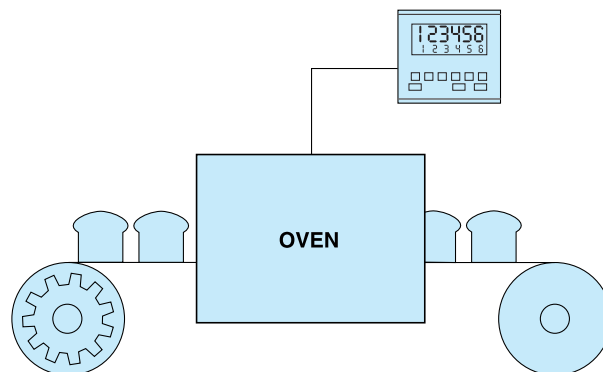
- **Standard DIN housing.**
- **CE approved, UL and cUL pending.**

Reset can be automatic, manual or electronic with a sink (NPN) or source (PNP) input. The time readout is on the main display and the preset value is on the subsidiary display.

All programming, reset and presetting can be carried out from the front panel although the keys can be remotely disabled from the rear of the unit. This instrument is also featured as a predetermining counter in section 2 of this catalogue.

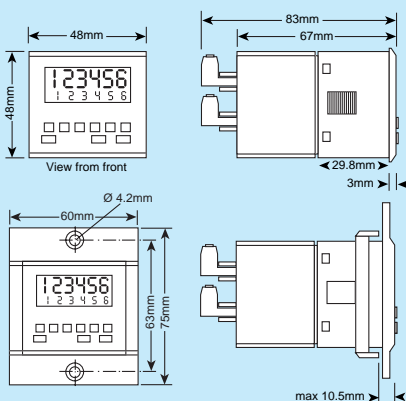
Typical Applications

- *Precision timing and control
- *Control of photographic processing
- *Oven and heat treatment timing



Dimensions

48mm x 48mm (1.89 x 1.89in). 83mm (3.27in) depth incl rear connector



Specification

Supply Voltage

85 - 265VAC or 10 - 26VDC @ 100mA

Auxiliary Output Supply

12VDC \pm 10% @ 100mA (when operating from AC supply)

Display

2 rows of 6 digits, supertwist black on silver LCD with yellow/green LED backlight. Upper row 7mm (0.28in) high indicates time, lower row 4mm (0.16in) high indicates P1 preset point. Also Relay Active annunciator

Backlight Control

Programmable to Always ON, Always OFF or AUTO (ON for 30s following last keypress)

Preset Points

User selectable preset point 1 - 999999

Inputs (NPN or PNP)

Opto-isolated 12 - 260VAC

Timing Ranges

0.01 seconds, seconds, minutes, hours and hundredths, hours and minutes

Manual Reset

Can be disabled on installation or remotely

Remote Reset

Contact closure or pulse (15 ms response time)

Automatic Reset

Programmable for automatic or Manual/Remote reset

Data Retention

40 years minimum

Output Relay

Contact Connection SPDT. Contact Rating 5A 260VAC/220VDC 1300VA/150W

Operating Temp.

-10°C to +60°C

Storage Temp.

-20°C to +70°C

Environmental Protection

IP65/NEMA4 when properly installed using the sealing gasket supplied (without bezel)

Ordering Information

Order by type number:

7931