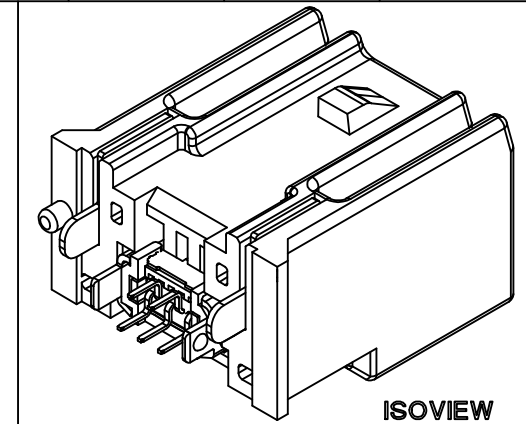
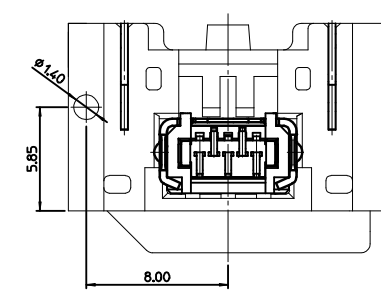
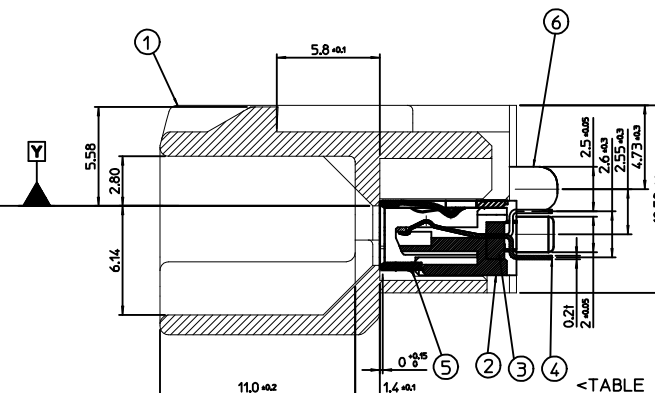
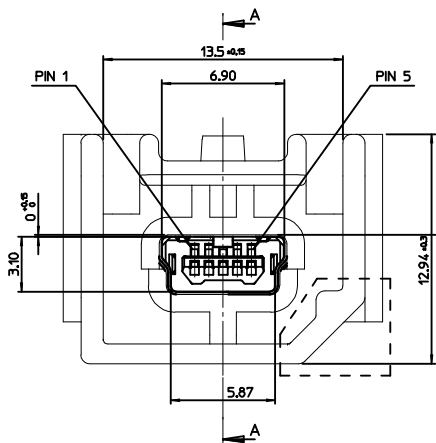


RECOMMENDED PCB LAYOUT



- NOTE
- MATES WITH :
(MOLEX SERIES NO. - 111014, 111015, 111005, 111041, 111019, 111020)
 - SHROUD GEOMETRY AND ASSEMBLY WITH USB MINI-B CONNECTOR ARE ACCORDING TO USCAR STD 999-U-USB-Z01
 - FINISHES
 - TERMINAL :
CONTACT AREA : Au 0.754μm MIN.
SOLDER TAIL AREA : TIN 3.814μm MIN.
UNDER PLATING : NI 1.04μm MIN.
 - SHIELD CASE :
3.04μm MIN. TIN OVER NI 1.04μm MIN.
 - FITTING NAIL :
3.04μm MIN. TIN OVER NI 1.04μm MIN.
 - UNLESS OTHERWISE SPECIFIED, TYPICAL RECOMMENDED PCB MANUFACTURING TOLERANCE IS ±0.05
 - PACKAGING IS TRAY :
(48 PCS/TRAY, 5 TRAY/TRAY BOX, 240 PCS/TRAY BOX, 960 PCS/CARTON BOX)
 - PACKING IS TUBE :
(29 PCS/TUBE, 60 TUBE/BOX, 1740 PCS/CARTON BOX)
 - PRODUCT SPECIFICATION : PS-49616-001
 - PACKAGING INFORMATION : PK-104004-001
PK-104004-002
 - PCB THICKNESS : 1.6mm(REFERENCE)



<TABLE 1>

MATERIAL NO.	ORDER NO.	COLOR	PACKING
1040040505	104004-0505	GRAY	TRAY
1040040705	104004-0705	GRAY	TUBE

<PARTS LIST>

NO.	PART NAME	MATERIAL
1	SHROUD-B	LCP, GLASS FILLED, UL94 V-0
2	RECEPTACLE HOUSING	LCP, GLASS FILLED, UL94 V-0
3	CONTACT HOUSING	LCP, GLASS FILLED, UL94 V-0
4	CONTACT TERMINAL	COPPER ALLOY
5	SHIELD CASE	PHOSPHOR BRONZE
6	BOARD LOCKS PIN	BRASS

REVISED
EC NO: KTR2015-0098
DRAWN BY: IBK 2015/04/27
CHKD: JYCHOI
APPR: JYCHOI 2015/05/04
REV A3

QUALITY SYMBOLS	GENERAL TOLERANCES (UNLESS SPECIFIED)	DIMENSION STYLE	SCALE	DESIGN UNITS	THIRD ANGLE PROJECTION
▽=0	mm INCH	MM ONLY	5:1	METRIC	THIRD ANGLE PROJECTION
▽=0	4 PLACES ± --- ± ---	DRAWN BY DATE	TITLE		
	3 PLACES ± 0 ± ---	S.M.KIM 2009/06/17	USCAR USB MINI B CONN VERTICAL B		
	2 PLACES ± 0.15 ± ---	CHECKED BY DATE	MOLEX INCORPORATED		
	1 PLACE ± 0.25 ± ---	B.C.YOON 2009/06/17	DOCUMENT NO. SD-104004-002		
	ANGULAR ± 1 °	APPROVED BY DATE	SHEET NO. 1 OF 1		
		E.H. JUNG 2009/06/17			
	DRAFT WHERE APPLICABLE MUST REMAIN WITHIN DIMENSIONS	MATERIAL NO. SEE TABLE 1			

SIZE	THIS DRAWING CONTAINS INFORMATION THAT IS PROPRIETARY TO MOLEX INCORPORATED AND SHOULD NOT BE USED WITHOUT WRITTEN PERMISSION
A2	