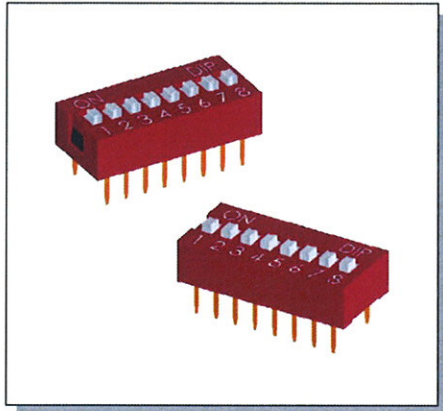
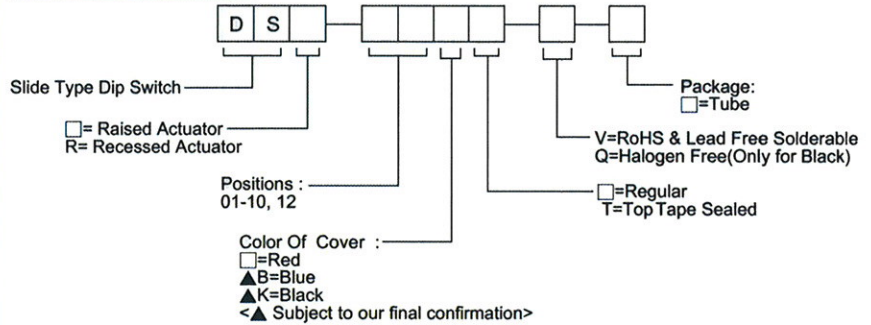


# DS(R) SERIES

## SPST Standard Slide Type



### HOW TO ORDER



### SPECIFICATION

#### MECHANICAL

Operation Force: 1,000gf max.  
Stroke: 2.0mm

#### ENVIRONMENTAL

Operation Temperature: -20°C to +70°C  
Storage Temperature: -40°C to +85°C

#### ELECTRICAL

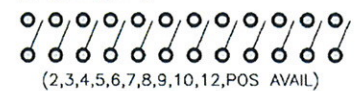
Electrical Life: 2,000 operations  
Non-Switching Rating: 100mA , 50VDC  
Switching Rating: 25mA , 24VDC

#### PACKAGE

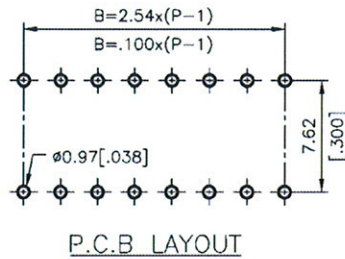
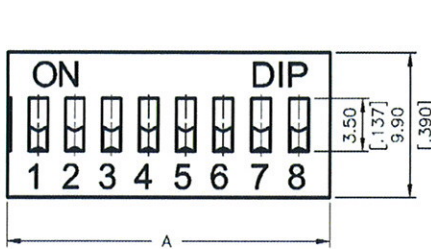
DS(R)-01: 120 pcs/tube	DS(R)-01-T: 113 pcs/tube
DS(R)-02: 72 pcs/tube	DS(R)-02-T: 70 pcs/tube
DS(R)-03: 51 pcs/tube	DS(R)-03-T: 50 pcs/tube
DS(R)-04: 40 pcs/tube	DS(R)-04-T: 39 pcs/tube
DS(R)-05: 32 pcs/tube	DS(R)-05-T: 32 pcs/tube
DS(R)-06: 27 pcs/tube	DS(R)-06-T: 27 pcs/tube
DS(R)-07: 24 pcs/tube	DS(R)-07-T: 24 pcs/tube
DS(R)-08: 21 pcs/tube	DS(R)-08-T: 21 pcs/tube
DS(R)-09: 19 pcs/tube	DS(R)-09-T: 19 pcs/tube
DS(R)-10: 17 pcs/tube	DS(R)-10-T: 17 pcs/tube
DS(R)-12: 14 pcs/tube	DS(R)-12-T: 14 pcs/tube

### CIRCUIT

SCHEMATIC(TYP.)



### DS(R)



PROD. NO.	NO. OF POS.	DIM. A	DIM. B
DS-12	12	31.84 [1.254]	27.94 [1.100]
DSR-12	12	26.76 [1.054]	22.86 [.900]
DS-10	10	24.22 [.954]	20.32 [.800]
DSR-10	10	19.14 [.754]	15.24 [.600]
DS-09	9	16.60 [.654]	12.70 [.500]
DSR-09	9	14.06 [.554]	10.16 [.400]
DS-08	8	11.52 [.454]	7.62 [.300]
DSR-08	8	8.98 [.354]	5.08 [.200]
DS-07	7	6.44 [.254]	2.54 [.100]
DSR-07	7	3.90 [.153]	-
DS-06	6		
DSR-06	6		
DS-05	5		
DSR-05	5		
DS-04	4		
DSR-04	4		
DS-03	3		
DSR-03	3		
DS-02	2		
DSR-02	2		
DS-01	1		
DSR-01	1		

