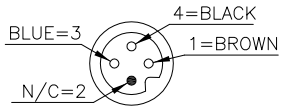
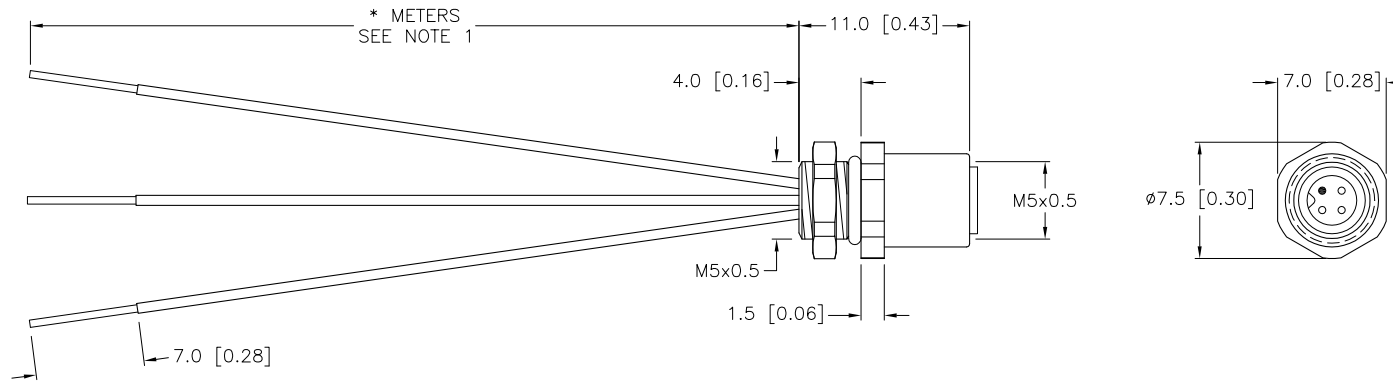


FEMALE END VIEW



SPECIFICATIONS

| | |
|-------------------------------|----------------------------------|
| CONTACT CARRIER MATERIAL | NYLON OR TPU |
| CONTACT MATERIAL/PLATING | BRASS/GOLD |
| HOUSING MATERIAL/PLATING | BRASS/NICKEL |
| O-RING MATERIAL | NBR |
| RATED CURRENT [A] | 1.0 A |
| RATED VOLTAGE [V] | 125 VAC/VDC |
| CONDUCTOR INSULATION MATERIAL | PVC |
| NUMBER OF CONDUCTORS [AWG] | 3x26 AWG |
| TEMPERATURE RANGE | -30°C to +80°C (-22°F to +176°F) |
| PROTECTION CLASS | MEETS NEMA 1,3,4,6P AND IEC IP67 |



| CABLE LENGTH | TOLERANCE |
|--------------|---|
| ALL LENGTHS | + 4% (OR 50mm) OF LENGTH - 0% (OR 0mm) OF LENGTH WHICHEVER IS GREATER |
| STRIP LENGTH | TOLERANCE |
| 0-7mm | ±0.5mm |
| 8-29mm | ±1.0mm |
| 30-49mm | ±2.0mm |
| 50-69mm | ±3.0mm |
| 70-100mm | ±4.0mm |
| OVER 100mm | ±5.0mm |

NOTES:

1. "*" INDICATES LEAD LENGTH IN METERS. CONTACT TURCK TO ORDER SPECIFIC LENGTHS.

SOURCE DRAWING - FOR REFERENCE ONLY

| | | | | | | | |
|-------------------|--|---|--|---|--|--|--|
| RELATED DOCUMENTS | | 3RD ANGLE PROJECTION | | THIS DRAWING IS PROPERTY OF TURCK INC. USE OF THIS DOCUMENT WITHOUT WRITTEN PERMISSION IS PROHIBITED. | | TURCK INC High Technology Sensors and Automation Controls 3000 CAMPUS DRIVE MINNEAPOLIS, MN 55441 1-800-544-7769 (763) 553-7300 (763) 553-0708 fax turck.com | |
| 1. | | | | DRFT JBU | | DATE 03/21/03 | |
| 2. | | | | DSGN | | SCALE 1=.5 | |
| 3. | | ALL DIMENSIONS DISPLAYED ON THIS DRAWING ARE FOR REFERENCE ONLY | | UNIT OF MEASUREMENT | | DESCRIPTION | |
| 4. | | | | MILLIMETER [INCH] | | VFK 3-* | |
| MATERIAL | | SEE SPECIFICATIONS | | CONTACT TURCK FOR MORE INFORMATION | | IDENTIFICATION NO. | |
| FINISH | | SEE SPECIFICATIONS | | DO NOT SCALE THIS DRAWING | | REV | |
| REV | | DESCRIPTION | | BY | | FILE: 777002408 | |
| B | | DRAWING PROCESSED AS PART OF ECO 33971 | | CBM 04/06/11 33971 | | SHEET 1 OF 1 | |
| BY | | DATE | | ECO NO. | | B | |