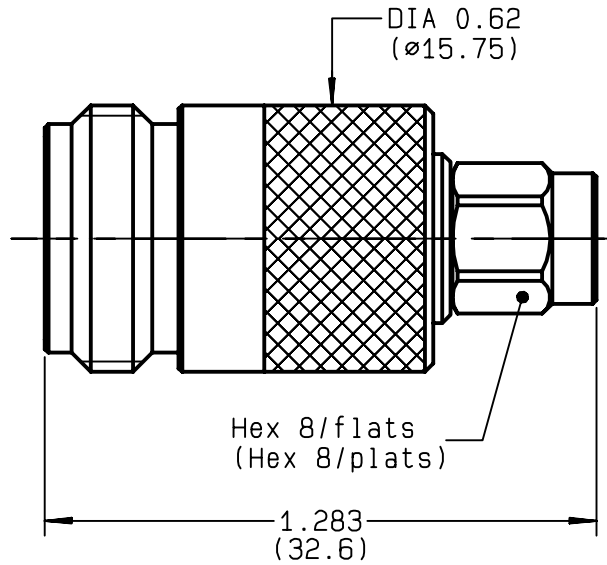


**N FEMALE - SMA MALE STRAIGHT ADAPTER**

**R191.327.000**  
**SERIES ADAPT**



NOMINAL IMPEDANCE	<b>50</b> Ω	CABLES :		
FREQUENCY RANGE	<b>0-11</b> GHz			
TEMPERATURE RATING	<b>-55/+155</b> °C			
V.S.W.R	<b>1.30</b> + <b>0</b> x F(GHz)Maxi			
RF INSERTION LOSS	<b>0.06</b> √F(GHz) dB Maxi			
VOLTAGE RATING	<b>500</b> Veff Maxi			
DIELECTRIC WITHSTANDING VOLTAGE	<b>1000</b> Veff Mini			
INSULATION RESISTANCE	<b>5000</b> MΩMini		OTHERS CHARACTERISTICS	
HERMETIC SEAL	<b>NA</b> Atm.cm <sup>3</sup> /s		CABLE RETENTION	N Mini
LEAKAGE (pressurized only)	<b>NA</b>		CENTER CONTACT RETENTION	
MECHANICAL DURABILITY	<b>500</b> Cycles	Axial force - mating end	<b>27</b> N Mini	
WEIGHT	gr	Axial force - opposite end	<b>27</b> N Mini	
SPECIFICATION		Torque	<b>NA</b> cm.N Mini	
		RECOMMENDED TORQUES		
		Mating	<b>100</b> cm.N	
		Panel nut	<b>NA</b> cm.N	
		Clamp nut	<b>NA</b> cm.N	

CONNECTOR PARTS	MATERIALS	FINISH	(all values are given in micrometers)
BODY	BERYLLIUM COPPER, BRASS	NICKEL 2	
OUTER CONTACT			
CENTER CONTACT	BERYLLIUM COPPER	GOLD 2.5 OVER NICKEL 2	
INSULATOR	PTFE	-	
GASKET	SILICONE RUBBER	-	
OTHERS PIECES	BERYLLIUM COPPER	NICKEL 2	

ISSUE	CREATION DATE	FILE PART-NUMBER
<b>0204B02</b>	<b>02/06/1981</b>	



LAMBERT

The information given here is subject to change without notice.  
 Design changes may be in order to improve the product .

*Connect to the future*