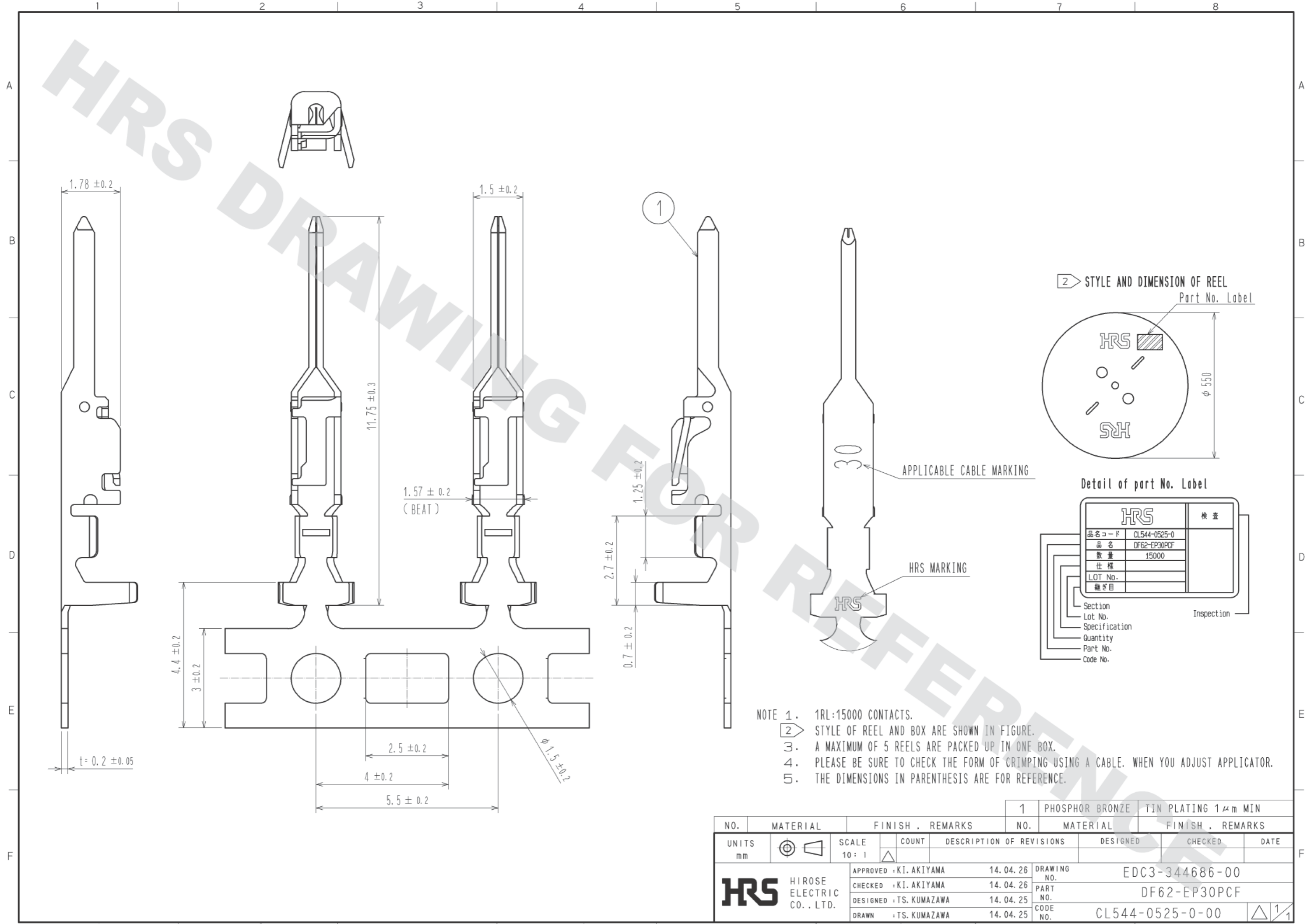


DRAWING FOR REFERENCE: This is subject to change without notice  
05/31/2014



NO.	MATERIAL	FINISH . REMARKS	NO.	MATERIAL	FINISH . REMARKS		
			1	PHOSPHOR BRONZE	TIN PLATING 1 μm MIN		
UNITS mm		SCALE 10:1	COUNT	DESCRIPTION OF REVISIONS	DESIGNED	CHECKED	DATE
<b>HRS</b>	HIROSE ELECTRIC CO., LTD.	APPROVED : KI. AKIYAMA	14. 04. 26	DRAWING NO.	EDC3-344686-00		
		CHECKED : KI. AKIYAMA	14. 04. 26	PART NO.	DF62-EP30PCF		
		DESIGNED : TS. KUMAZAWA	14. 04. 25	CODE NO.	CL544-0525-0-00		
		DRAWN : TS. KUMAZAWA	14. 04. 25		△ 1/1		