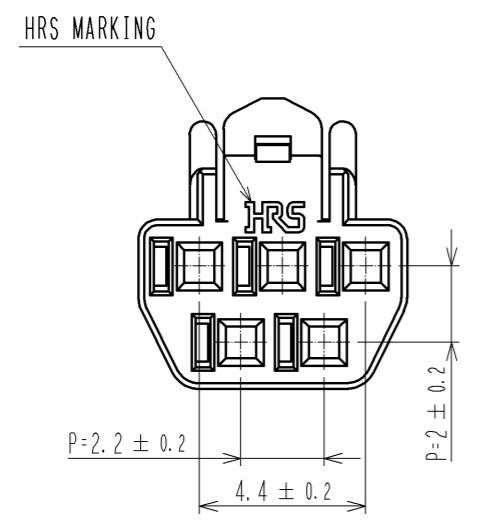
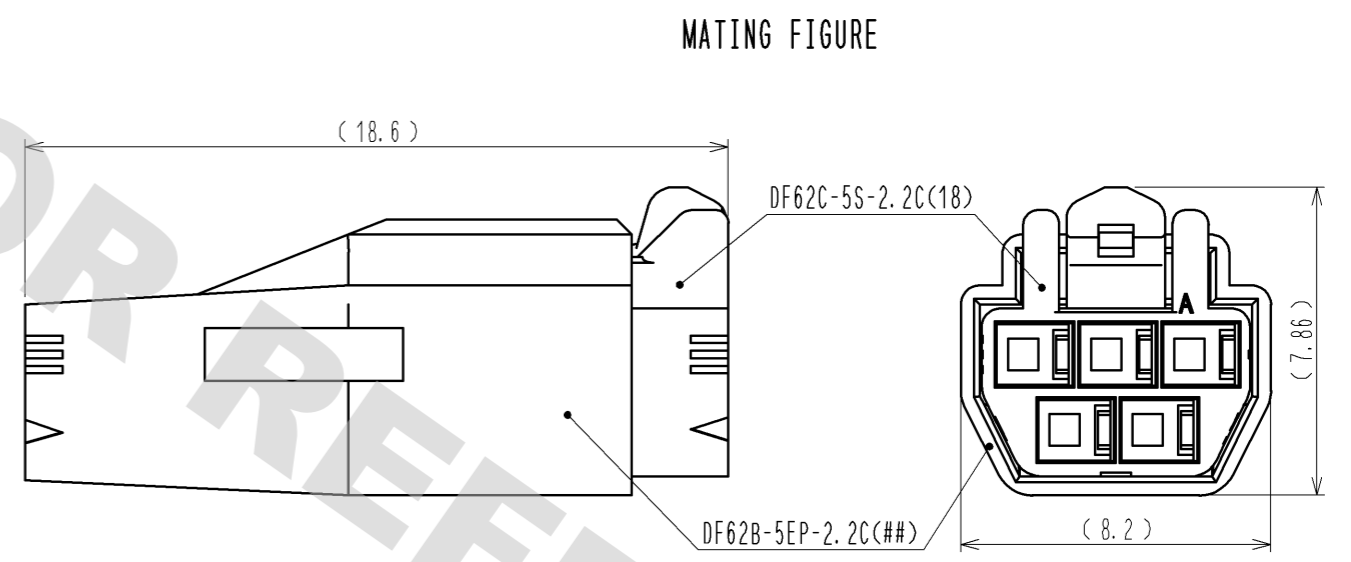
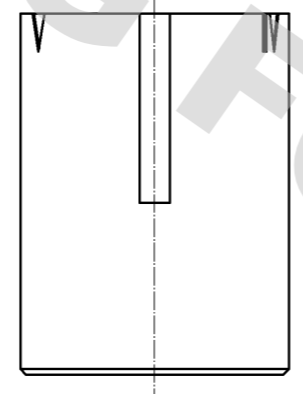
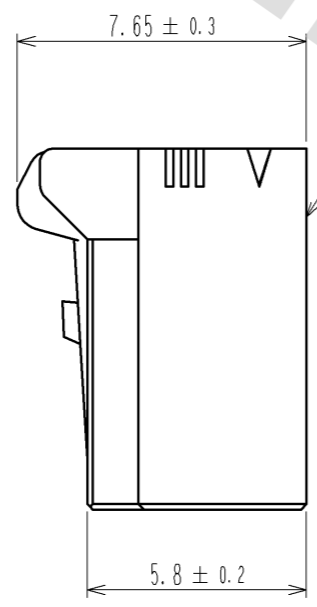
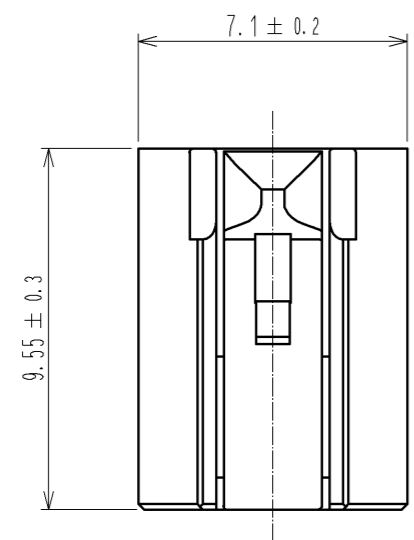
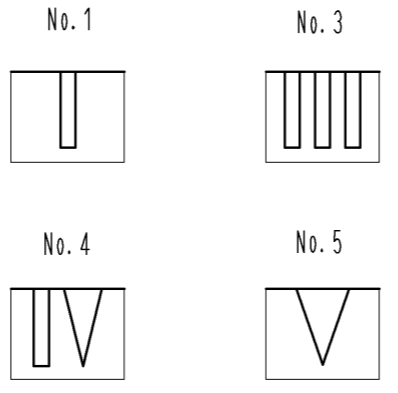
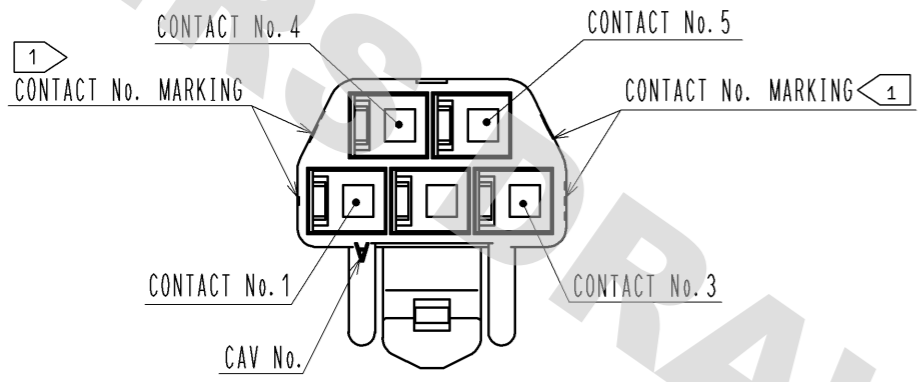


DRAWING FOR REFERENCE: This is subject to change without notice
12/05/2013

1 FIGURE-1 CONTACT No. MARKING (10:1)



NOTE. 1 MARKINGS AT THE INDICATED POSITIONS ARE CONTACT NO. MARKING, AND SHAPES ARE SHOWN IN FIGURE-1.
2. PER PACK : 100 PIECES.
3. THE DIMENSIONS IN PARENTHESIS ARE FOR REFERENCE.

NO.		MATERIAL		FINISH . REMARKS		1	PBT	UL94V-0 (RED)		
UNITS mm		SCALE 5 : 1		COUNT		DESCRIPTION OF REVISIONS		DESIGNED	CHECKED	DATE
HIROSE ELECTRIC CO., LTD.		APPROVED : KI. AKIYAMA		13. 09. 17		DRAWING NO.		EDC3-351973-02		
		CHECED : OM. MIYAMOTO		13. 09. 13		PART NO.		DF62C-5S-2.2C(18)		
		DESIGNED : TH. YOSHIZAWA		13. 09. 13		CODE NO.		CL544-0568-2-18		
		DRAWN : MI. SAKIMURA		13. 09. 10						