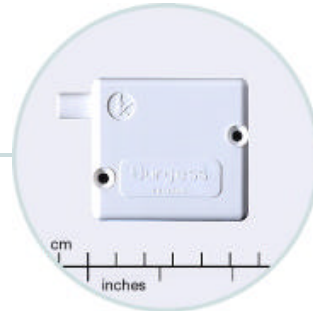
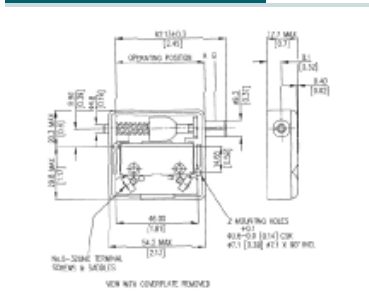


Switch introduction



TPS1UL - Operating Characteristics

- ▶ **Operating position:** Adjustable by 6.35 mm (0.25 in) from position 'A' 49.8 mm (1.96 in) to position 'B'
- ▶ **Total travel position:** Plunger can be depressed flush with housing. The housing should not be used as an end stop.

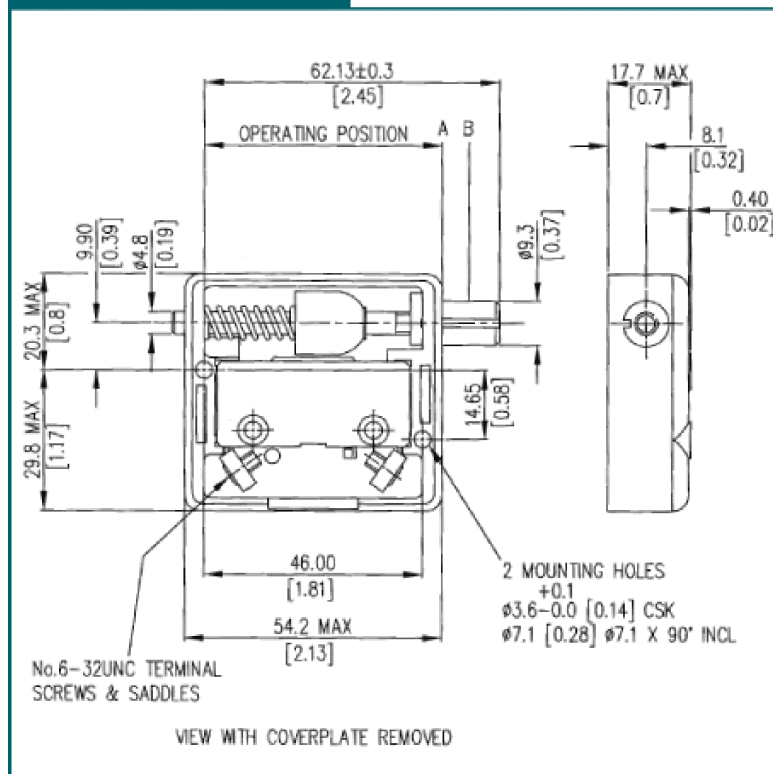
TPS1UL - General

- ▶ **Actuator:** Horizontally protruding plunger with operating position adjustment
- ▶ **Mounting:** Surface mounting
- ▶ **Mechanism:** Single pole normally open
- ▶ **Temperature range:** -10°C to +85°C
- ▶ **Type of protection:** Enclosure IP40 (insert switch)
- ▶ **Mechanical life:** 1,000,000 cycles (min)
- ▶ **Terminals:** 6-32 UNC screws with clamps
- ▶ **Approvals:** UL

TPS1UL - Materials

- ▶ **Plunger:** Polycarbonate
- ▶ **Housing:** Polycarbonate
- ▶ **Contacts:** Silver
- ▶ **Terminals:** Brass

TPS1UL - Drawing



TPS Range - Electrical Ratings

A.C.	Voltage	Current
U.L. 1054/CSA 22.2 No. 55 - 6,000 Operations	125V	15A (0.75pf)
	250V	15A (0.75pf)
D.C.	Voltage	Current
General rating - 50,000 Operations	0-15V	15A (Res)
	15-30V	10A (Res)

Circuit Diagram TPS1 Range

