



**Model Number**

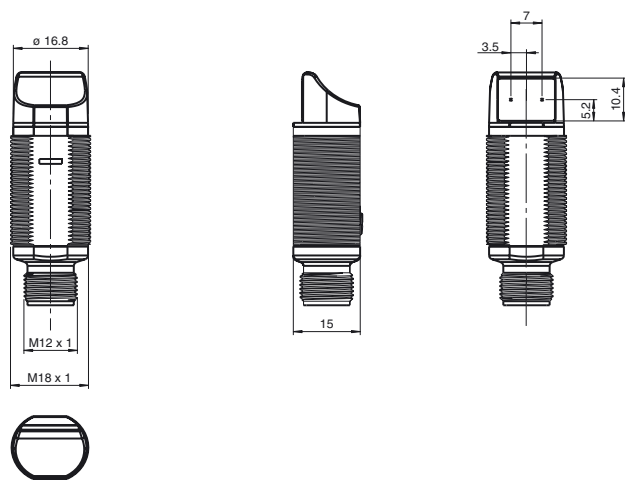
**GLV18-6-S/73/120**

Retro-reflective sensor  
Plastic connector M12 x 1, 4-pin

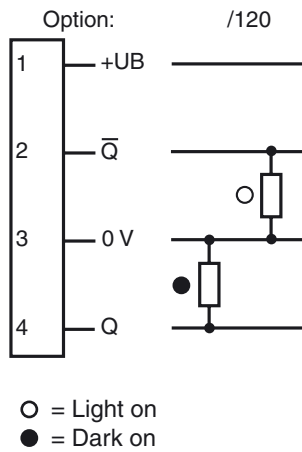
**Features**

- Short design in M18 plastic housing
- Optical face lateral
- 4 LEDs indicator for 360° all-round visibility
- Optimal price/power ratio

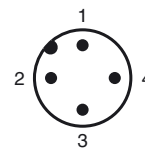
**Dimensions**



**Electrical connection**



**Pinning according**



Release date: 2008-01-30 09:27 Date of issue: 2008-01-30 190534\_ENG.xml

Suitable reflectors and cable sockets can be found in the Internet

Subject to reasonable modifications due to technical advances.

Copyright Pepperl+Fuchs, Printed in Germany

Pepperl+Fuchs Group • Tel.: Germany +49 621 776-0 • USA +1 330 4253555 • Singapore +65 67799091 • Internet <http://www.pepperl-fuchs.com>

**Technical data****General specifications**

Effective detection range	0 ... 5.5 m
Reflector distance	0.05 ... 5.5 m
Threshold detection range	6.5 m with reflector C110-2
Light source	LED, red 640 nm
Approvals	CE, cULus Listed 57M3 (Only in association with UL Class 2 power supply)
Reference target	reflector C110-2
Light type	red, modulated light
Diameter of the light spot	approx. 250 mm at 6.5 m
Angle of divergence	approx. 2 °
Optical face	lateral
Ambient light limit	30000 Lux

**Indicators/operating means**

Operating display	green LED, statically lit Power on
Function display	LED yellow: lights up, when receiving the light beam ; flashes when falling short of the stability control; OFF when light beam is interrupted

**Electrical specifications**

Operating voltage	10 ... 30 V DC
Protection class	II, rated insulation voltage $\hat{U}$ 250 V AC with degree of pollution 1-2 according to IEC 60664-1
No-load supply current $I_0$	< 20 mA

**Output**

Switching type	light/dark switching
Signal output	2 pnp, antivalent, short-circuit proof, open collectors
Switching voltage	max. 30 V DC
Switching current	max. 100 mA
Voltage drop $U_d$	$\leq 1.5$ V DC
Switching frequency $f$	500 Hz
Response time	$\leq 1$ ms

**Standard conformity**

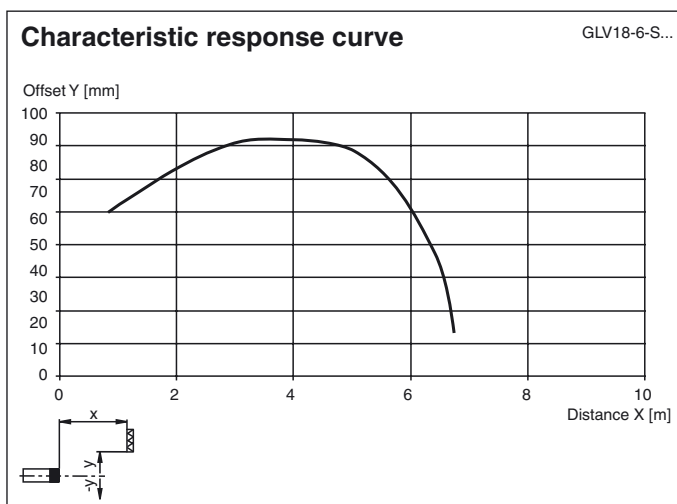
Standards	EN 60947-5-2
-----------	--------------

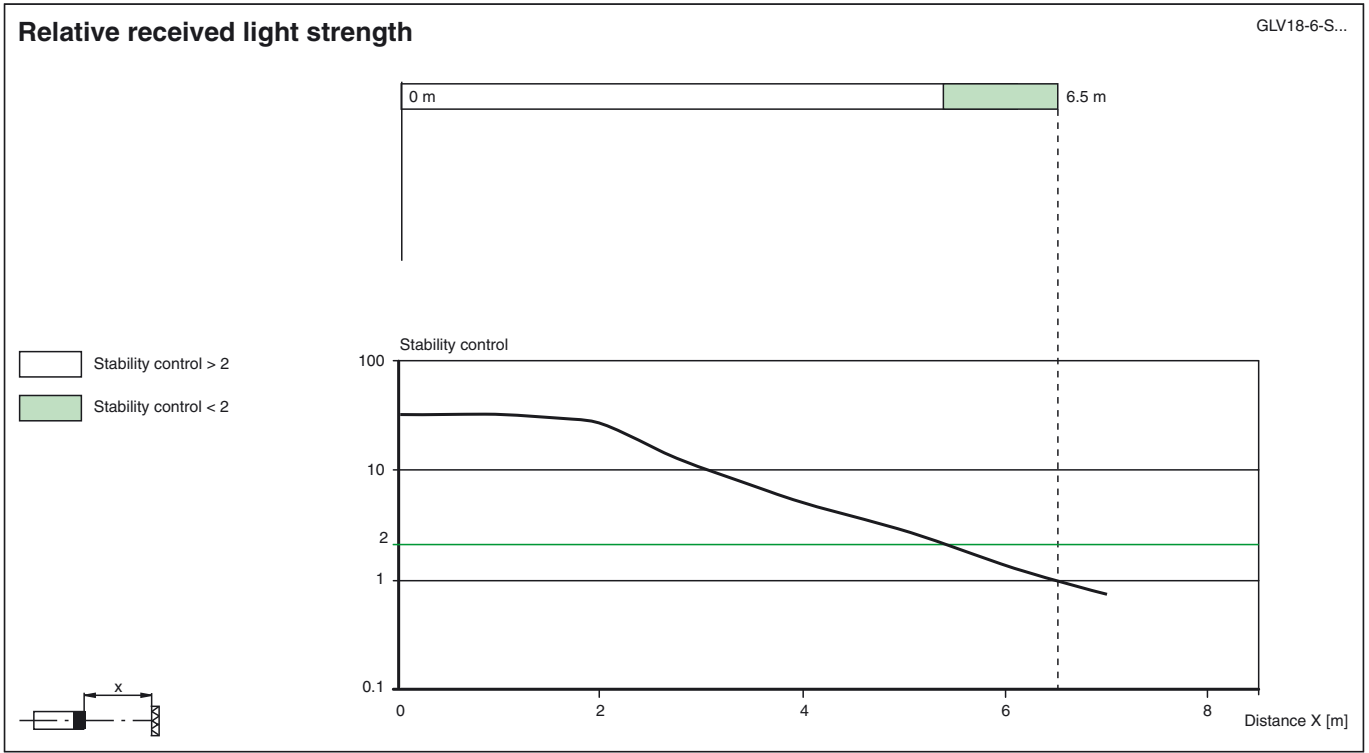
**Ambient conditions**

Ambient temperature	-25 ... 60 °C (248 ... 333 K)
Storage temperature	-40 ... 70 °C (233 ... 343 K)

**Mechanical specifications**

Protection degree	IP67
Connection	Plastic connector M12 x 1 ; 4-pin
Material	
Housing	PC
Optical face	PMMA
Mass	< 10 g





Release date: 2008-01-30 09:27 Date of issue: 2008-01-30 190534\_ENG.xml